



Receptions Pricebook

January 2024

TIPS Contract 240301
Furniture, Furnishings, and Services

Caution	3
Application Guidelines	4
Aloha Waterfall Reception	10
Straight	10
Waterfall Length Matrix	11
Laminate Base	11
Metal Kickplate Base	12
L-Shape	13
Waterfall Length Matrix	14
Laminate Base	14
Metal Kickplate Base	15
Maeva Border Reception	16
Straight	16
L-Shape	18
Karibu Angled Reception	20
Straight	20
With ADA extension	21
Without ADA extension	21
L-Shape	22
With ADA extension	23
Without ADA extension	23
Storage	24
Mobile Pedestal	24
Underdesk Pedestal	25
Underdesk Lateral	26
Accessories	27
Keyboard Tray	27
Task Light	28
Monitor Arm	29
Horizontal Wire Manager	30
Vertical Wire Manager	31
Wall Mounted Tackboard	32
Storage Cube	36
Power/USB	37
Grommet Covers	38
Lock and Key	39

Load Bottom Drawer First

- Operate one drawer at a time
- Units may tip if loaded incorrectly
- Units should be attached to a wall or other furniture to reduce tipping hazard
- Always load the heaviest files in the bottom drawer

Heavy Load

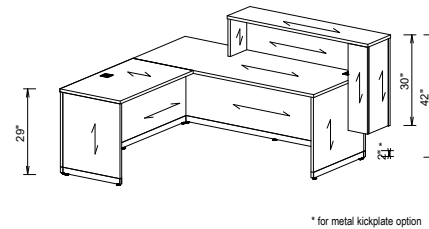
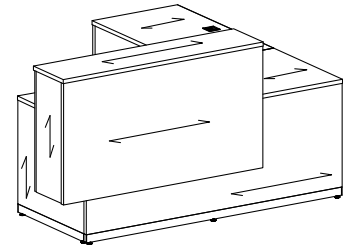
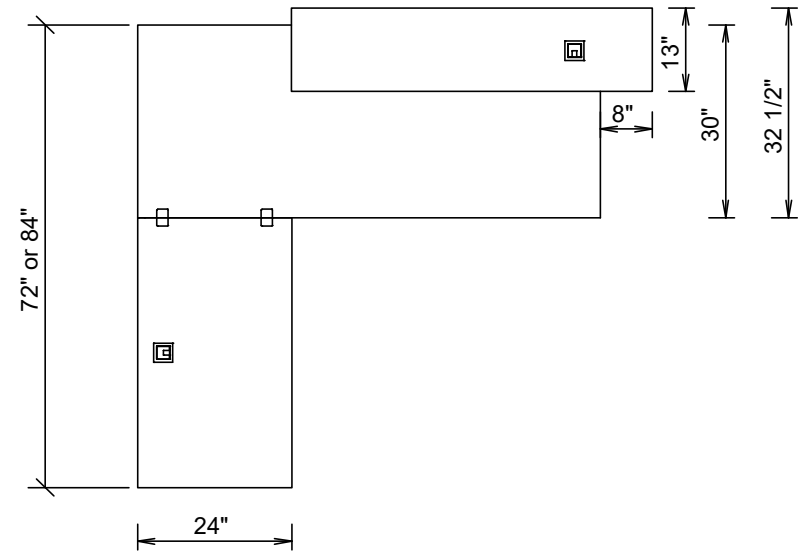
- Some products must be anchored to wall to ensure stability & safety.
- It is the owner and installers responsibility to ensure that the wall type and construction is of sufficient strength to carry the loads of any wall mounted products and their contents.
- Failure of the wall and anchors to support all imposed loads may result in property damage and/or personal injury.
- Tayco can provide size and empty weight of its products only. As wall blocking is considered a building construction process, Tayco cannot provide recommendations in this respect and cannot be responsible for damage or injury that may occur as a result of improper installation and/or blocking.

Instability Hazard

Mobile items on casters such as flip top, personal and movable tables of any type and storage items of any type may present an instability hazard if not secured correctly while in use or in storage. Flip top tables or training tables of any type, are inherently more unstable when folded. Tayco provides the following guidelines & warnings when using mobile products:

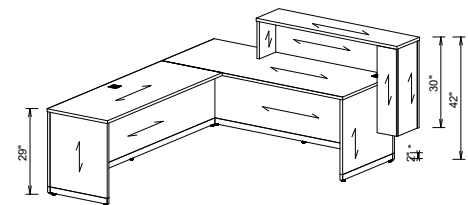
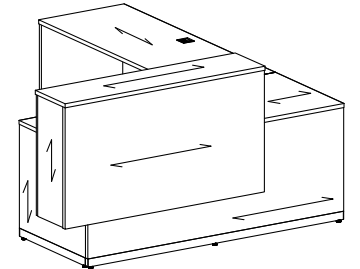
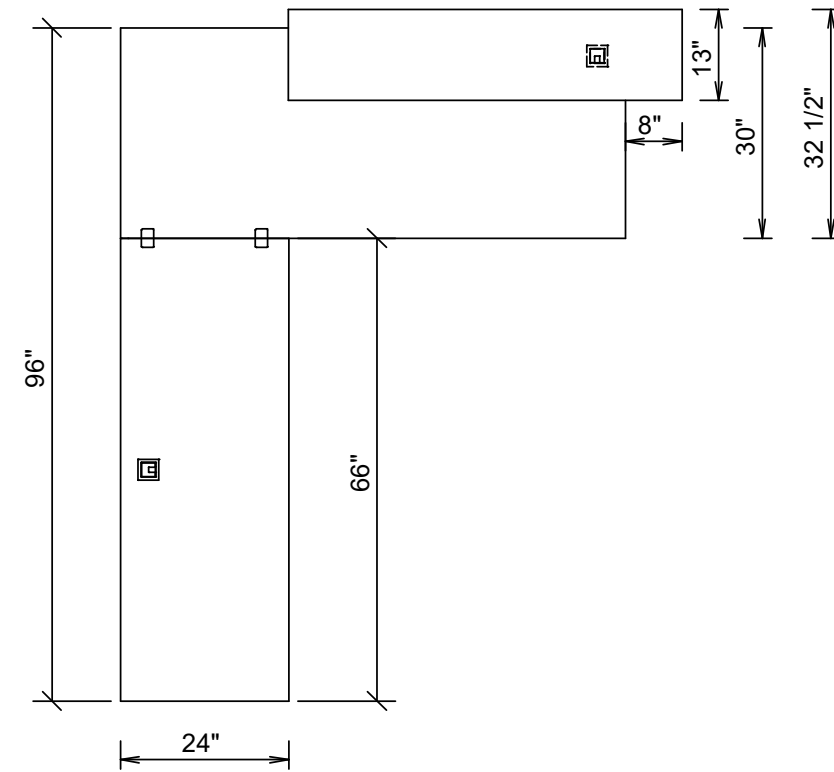
- Lock casters immediately after moving. Do not leave the casters unlocked when in use or in storage.
- Motion may increase the instability of any item with casters. If the wheels hit an obstruction the table's forward momentum often causes overturn, especially if the item is not equipped with wheel extensions. Exercise strong caution while moving these items.
- Use caution when abrupt level changes in the floor are present (such as a doorway or room threshold) as caster failure or tipping may result.
- Do not stand, sit or lean on mobile items for support. They are not intended for this use and personal injury or property damage may result.
- Mobile units that feature height adjustable elements must be lowered to the minimum compressed height when moving to prevent instability. It is also recommended the user remove all computer equipment or other accessories to prevent possible weight imbalance or damage to equipment.
- Failure to follow the guidelines above may result in property damage or personal injury.

Aloha (72" & 84" Return) - Dimensions and Grain Direction



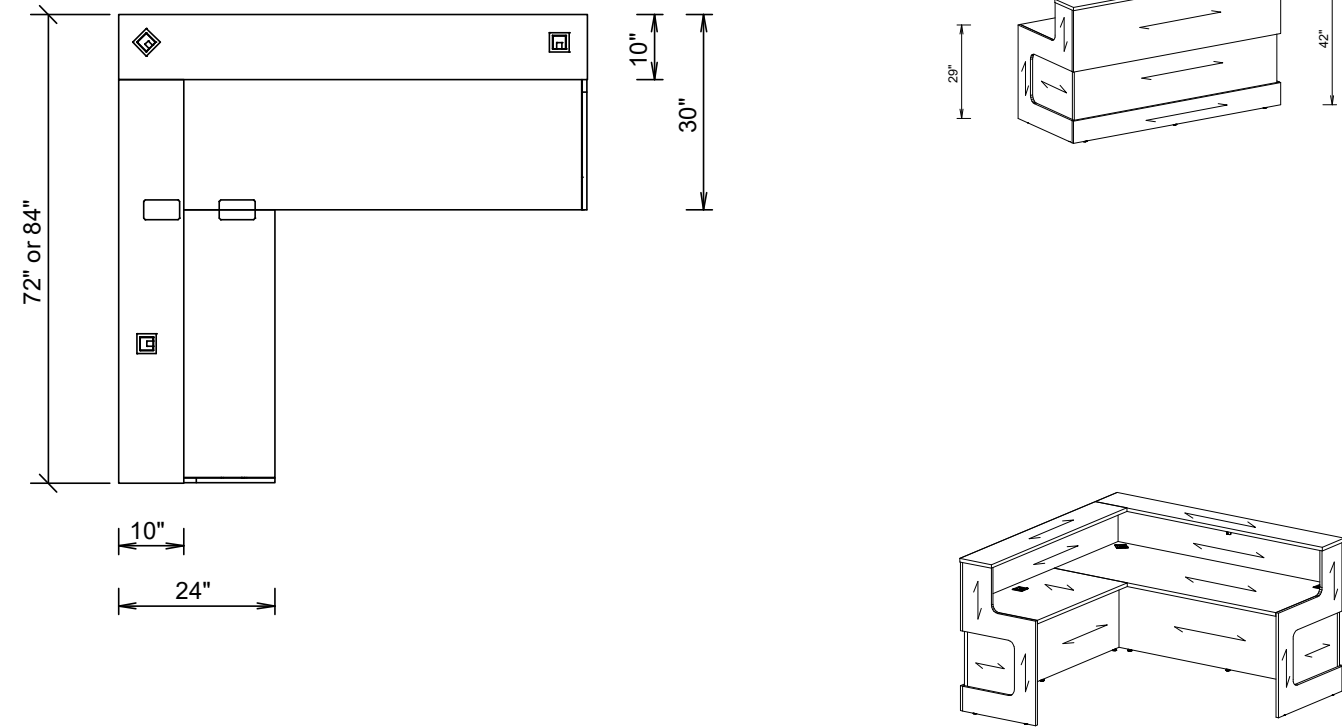
* for metal kickplate option

Aloha (96" Return) - Dimensions and Grain Direction

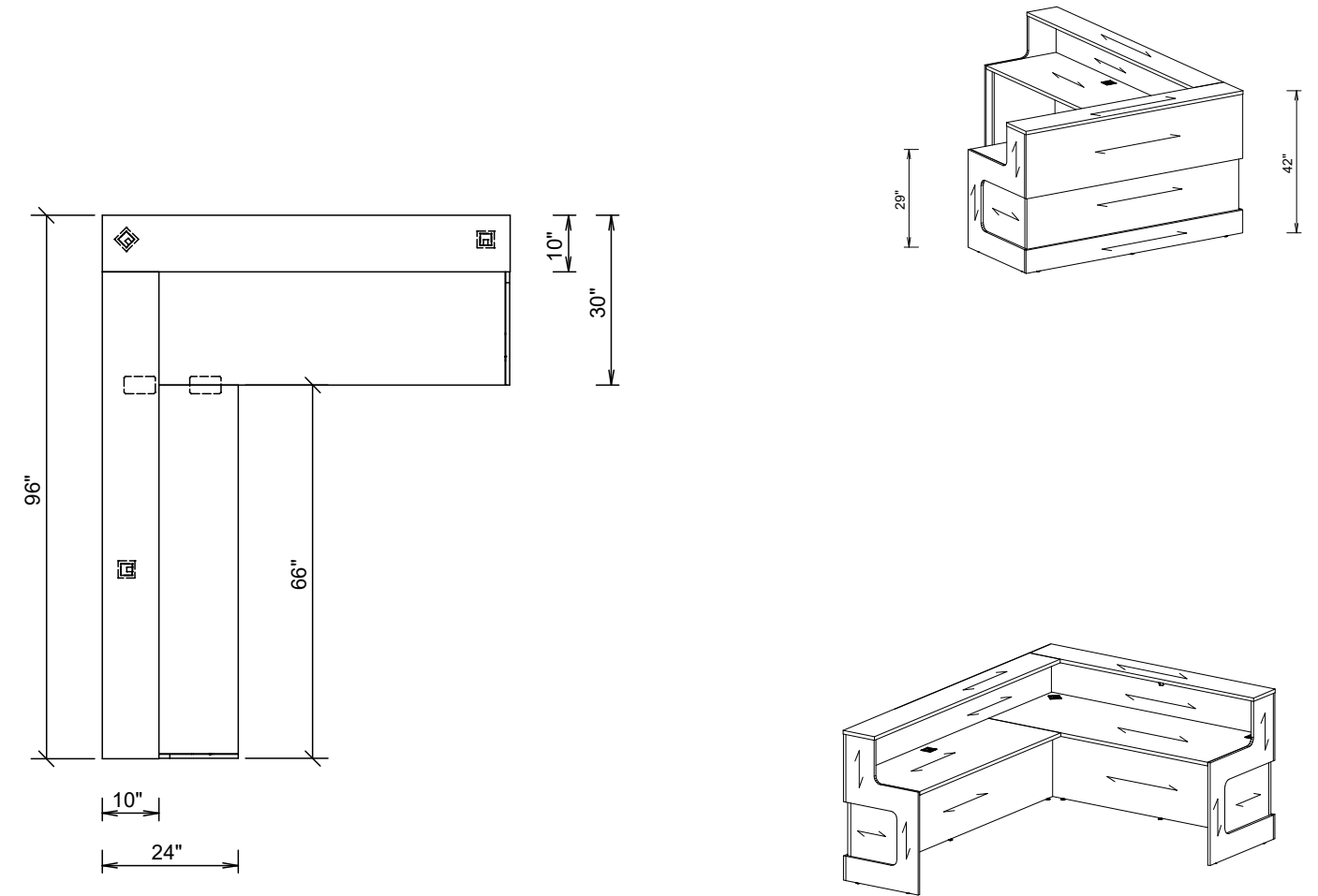


* for metal kickplate option

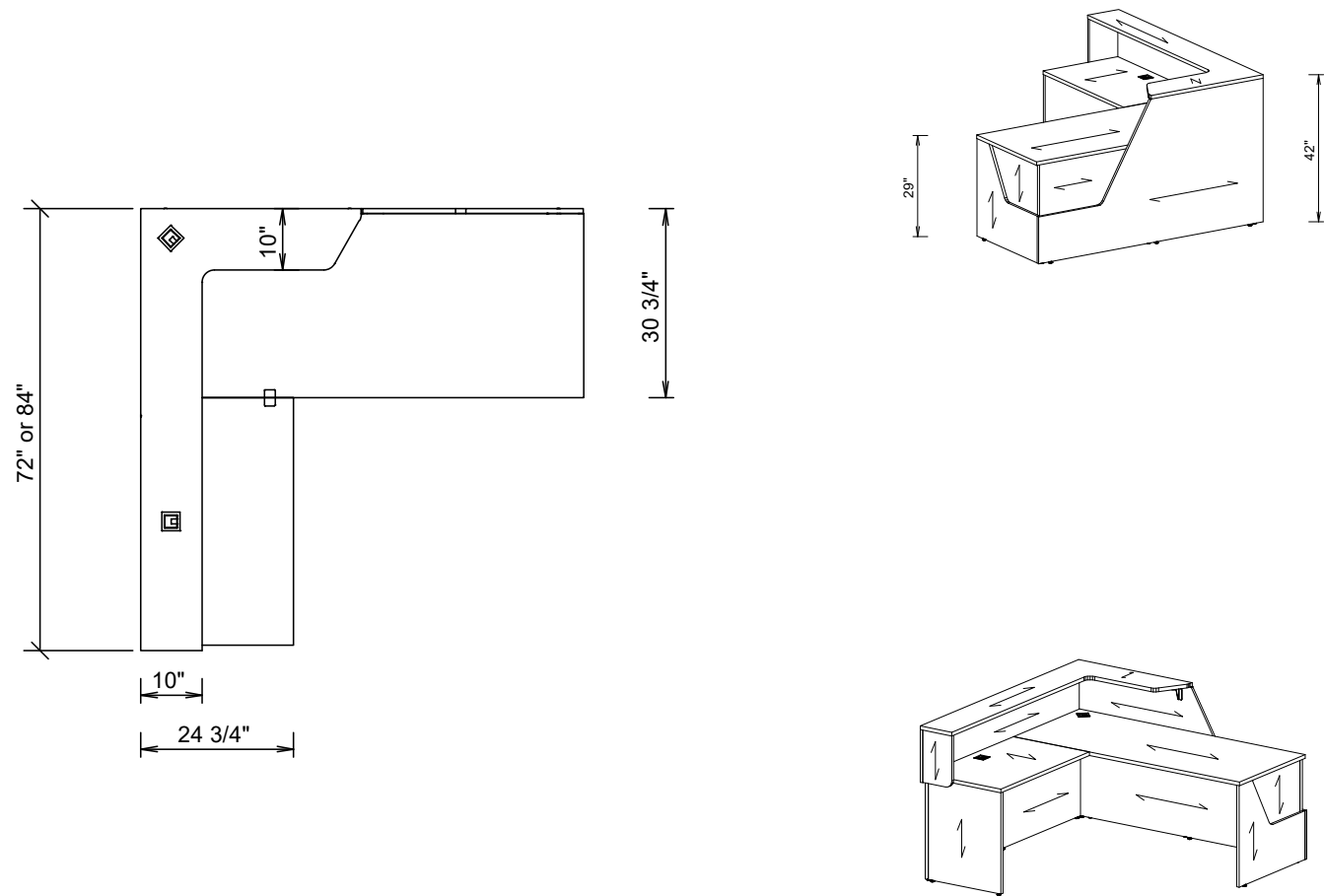
Maeva (72" & 84" Return) - Dimensions and Grain Direction



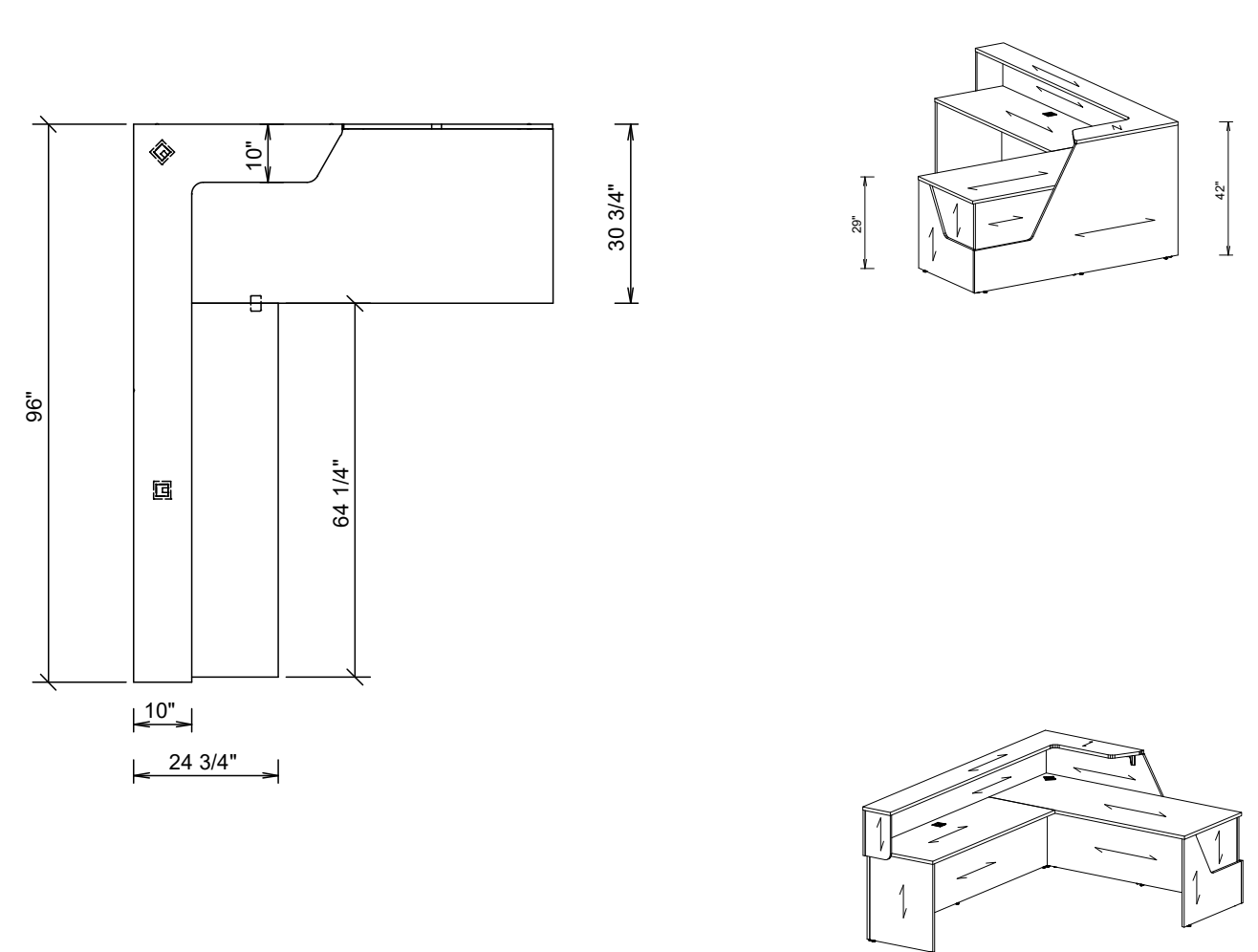
Maeva (96" Return) - Dimensions and Grain Direction

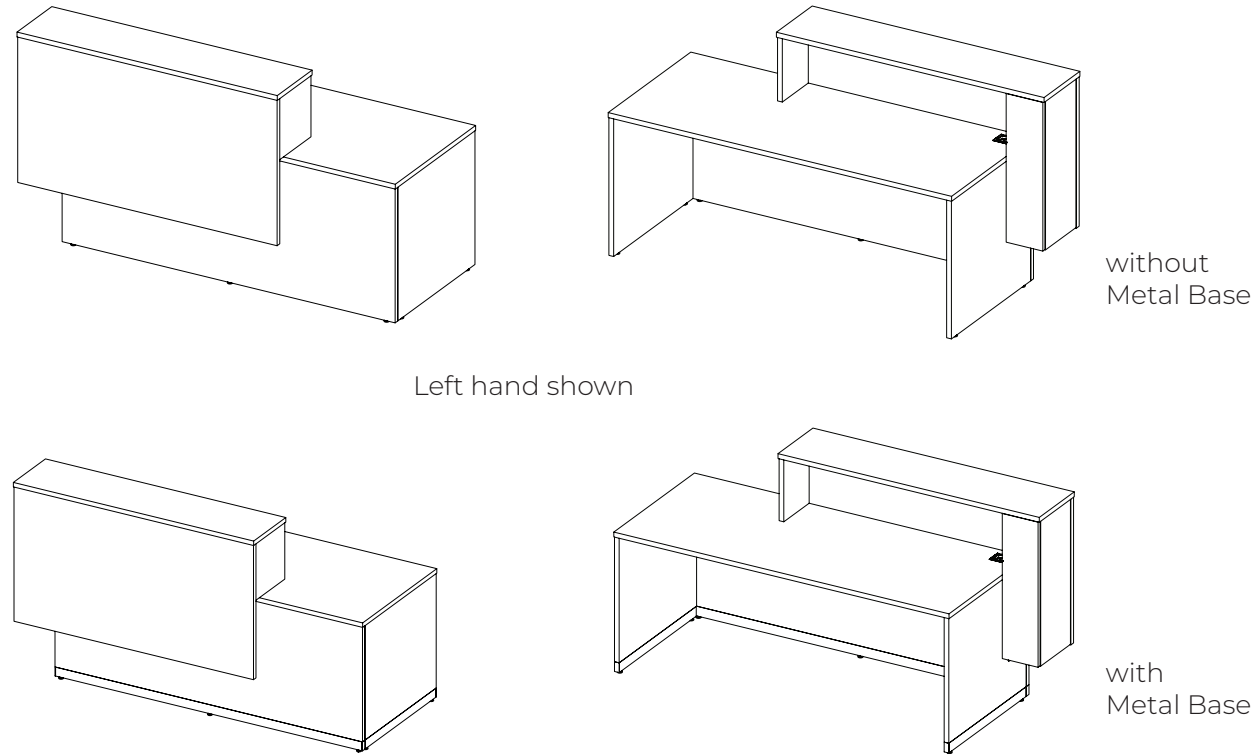


Karibu (72" & 84" Return) - Dimensions and Grain Direction



Karibu (96" Return) - Dimensions and Grain Direction





Left hand shown

without Metal Base

with Metal Base

What's Included:

One (1) complete straight waterfall reception desk with hardware and corresponding grommets

How to Specify:

Refer to laminate swatches for laminate selections

Refer to metal swatches for metal selections

Long or short transaction top can be chosen based on style preference

Notes:

Includes one (1) grommet

Up to two laminate colors can be chosen - one for the angled portion and transaction top and the other for the desk core and worksurface

Reception desk is sold as one unit including hardware, storage must be specified separately

Reception is shipped knocked down

Options:

Width: 72", 78", 84", 90", 96"

Depth: 30"D

With or without metal kick plate

Laminate color for waterfall transaction top

Laminate color for desk core body and worksurface

Metal color for kick plate if chosen

Waterfall Length Matrix

Station Size	Short Waterfall Length	Long Waterfall Length
72 x 30	44"	56"
78 x 30	50"	62"
84 x 30	56"	68"
90 x 30	62"	74"
96 x 30	68"	80"

Laminate Base

Short Transaction Top

Code	Price	H	W	D
Left Hand				
R3-S0LW-S-7230-L	\$4061	42	72	30
R3-S0LW-S-7830-L	\$4127	42	78	30
R3-S0LW-S-8430-L	\$4256	42	84	30
R3-S0LW-S-9030-L	\$4451	42	90	30
R3-S0LW-S-9630-L	\$4580	42	96	30
Right Hand				
R3-S0LW-S-7230-R	\$4061	42	72	30
R3-S0LW-S-7830-R	\$4127	42	78	30
R3-S0LW-S-8430-R	\$4256	42	84	30
R3-S0LW-S-9030-R	\$4451	42	90	30
R3-S0LW-S-9630-R	\$4580	42	96	30

Long Transaction Top

Code	Price	H	W	D
Left Hand				
R3-S0LW-L-7230-L	\$4177	42	72	30
R3-S0LW-L-7830-L	\$4243	42	78	30
R3-S0LW-L-8430-L	\$4373	42	84	30
R3-S0LW-L-9030-L	\$4568	42	90	30
R3-S0LW-L-9630-L	\$4697	42	96	30
Right Hand				
R3-S0LW-L-7230-R	\$4177	42	72	30
R3-S0LW-L-7830-R	\$4243	42	78	30
R3-S0LW-L-8430-R	\$4373	42	84	30
R3-S0LW-L-9030-R	\$4568	42	90	30
R3-S0LW-L-9630-R	\$4697	42	96	30

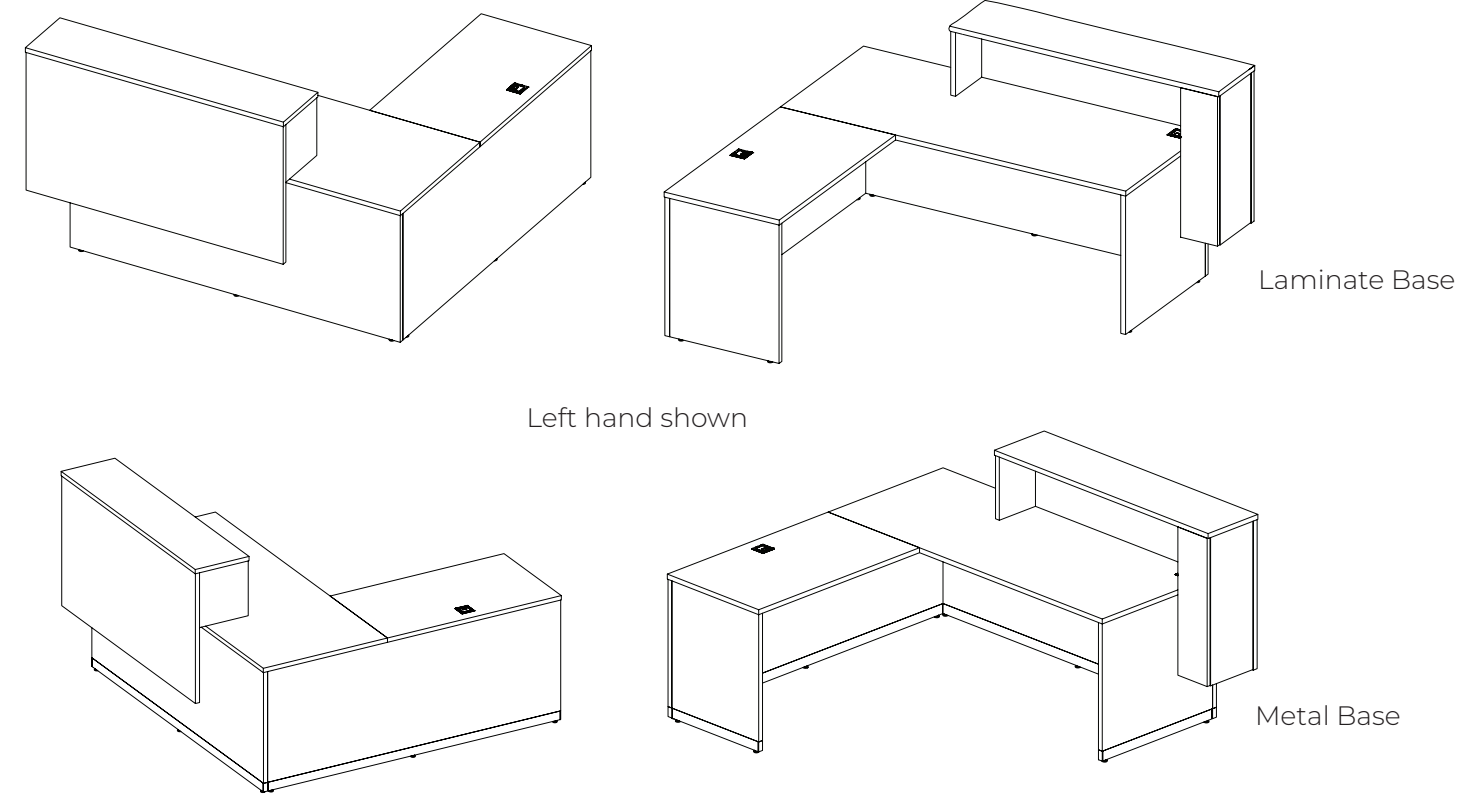
Metal Kickplate Base

Short Transaction Top

Code	Price	H	W	D
Left Hand				
R3-S0MW-S-7230-L	\$4586	42	72	30
R3-S0MW-S-7830-L	\$4651	42	78	30
R3-S0MW-S-8430-L	\$4781	42	84	30
R3-S0MW-S-9030-L	\$4976	42	90	30
R3-S0MW-S-9630-L	\$5105	42	96	30
Right Hand				
R3-S0MW-S-7230-R	\$4586	42	72	30
R3-S0MW-S-7830-R	\$4651	42	78	30
R3-S0MW-S-8430-R	\$4781	42	84	30
R3-S0MW-S-9030-R	\$4976	42	90	30
R3-S0MW-S-9630-R	\$5105	42	96	30

Long Transaction Top

Code	Price	H	W	D
Left Hand				
R3-S0MW-L-7230-L	\$4702	42	72	30
R3-S0MW-L-7830-L	\$4768	42	78	30
R3-S0MW-L-8430-L	\$4897	42	84	30
R3-S0MW-L-9030-L	\$5092	42	90	30
R3-S0MW-L-9630-L	\$5222	42	96	30
Right Hand				
R3-S0MW-L-7230-R	\$4702	42	72	30
R3-S0MW-L-7830-R	\$4768	42	78	30
R3-S0MW-L-8430-R	\$4897	42	84	30
R3-S0MW-L-9030-R	\$5092	42	90	30
R3-S0MW-L-9630-R	\$5222	42	96	30



What's Included:

One (1) complete L-shape waterfall reception desk with hardware and corresponding grommets

How to Specify:

Refer to laminate swatches for laminate selections

Refer to metal swatches for metal selections

Long or short transaction top can be chosen based on style preference

Options:

Width: 72", 84", 96"

Length: 72", 84", 96"

Front worksurface depth: 30"

Return worksurface depth: 24"

Transaction Top: 13" D

With or without metal kick plate

Laminate color for waterfall transaction top

Laminate color for desk core body and worksurface

Metal color for kick plate if chosen

Notes:

Includes (2) grommets

Up to two laminate colors can be chosen - one for the waterfall transaction portion and the other for the desk core and worksurface

Reception desk is sold as one unit including hardware, storage must be specified separately

Reception is shipped knocked down

Waterfall reception has a 8" overhang and is not accounted for in the width options

Waterfall Length Matrix

Station Size	Short Waterfall Length	Long Waterfall Length
72 x 72	44"	56"
72 x 84	44"	56"
72 x 96	44"	56"
84 x 72	56"	68"
84 x 84	56"	68"

Station Size	Short Waterfall Length	Long Waterfall Length
84 x 96	56"	68"
96 x 72	68"	80"
96 x 84	68"	80"
96 x 96	68"	80"

Laminate Base

Short Transaction Top

Code	Price	H	W	D
Left Hand				
R3-L0LW-S-7272-A-L	\$6533	42	72	72
R3-L0LW-S-7284-A-L	\$6727	42	72	84
R3-L0LW-S-7296-A-L	\$7180	42	72	96
R3-L0LW-S-8472-A-L	\$6806	42	84	72
R3-L0LW-S-8484-A-L	\$7149	42	84	84
R3-L0LW-S-8496-A-L	\$7505	42	84	96
R3-L0LW-S-9672-A-L	\$7219	42	96	72
R3-L0LW-S-9684-A-L	\$7579	42	96	84
R3-L0LW-S-9696-A-L	\$7958	42	96	96
Right Hand				
R3-L0LW-S-7272-A-R	\$6533	42	72	72
R3-L0LW-S-7284-A-R	\$6727	42	72	84
R3-L0LW-S-7296-A-R	\$7180	42	72	96
R3-L0LW-S-8472-A-R	\$6806	42	84	72
R3-L0LW-S-8484-A-R	\$7149	42	84	84
R3-L0LW-S-8496-A-R	\$7505	42	84	96
R3-L0LW-S-9672-A-R	\$7219	42	96	72
R3-L0LW-S-9684-A-R	\$7579	42	96	84
R3-L0LW-S-9696-A-R	\$7958	42	96	96

Long Transaction Top

Code	Price	H	W	D
Left Hand				
R3-L0LW-L-7272-A-L	\$6649	42	72	72
R3-L0LW-L-7284-A-L	\$6843	42	72	84
R3-L0LW-L-7296-A-L	\$7297	42	72	96
R3-L0LW-L-8472-A-L	\$6923	42	84	72
R3-L0LW-L-8484-A-L	\$7265	42	84	84
R3-L0LW-L-8496-A-L	\$7621	42	84	96
R3-L0LW-L-9672-A-L	\$7335	42	96	72
R3-L0LW-L-9684-A-L	\$7696	42	96	84
R3-L0LW-L-9696-A-L	\$8075	42	96	96
Right Hand				
R3-L0LW-L-7272-A-R	\$6649	42	72	72
R3-L0LW-L-7284-A-R	\$6843	42	72	84
R3-L0LW-L-7296-A-R	\$7297	42	72	96
R3-L0LW-L-8472-A-R	\$6923	42	84	72
R3-L0LW-L-8484-A-R	\$7265	42	84	84
R3-L0LW-L-8496-A-R	\$7621	42	84	96
R3-L0LW-L-9672-A-R	\$7335	42	96	72
R3-L0LW-L-9684-A-R	\$7696	42	96	84
R3-L0LW-L-9696-A-R	\$8075	42	96	96

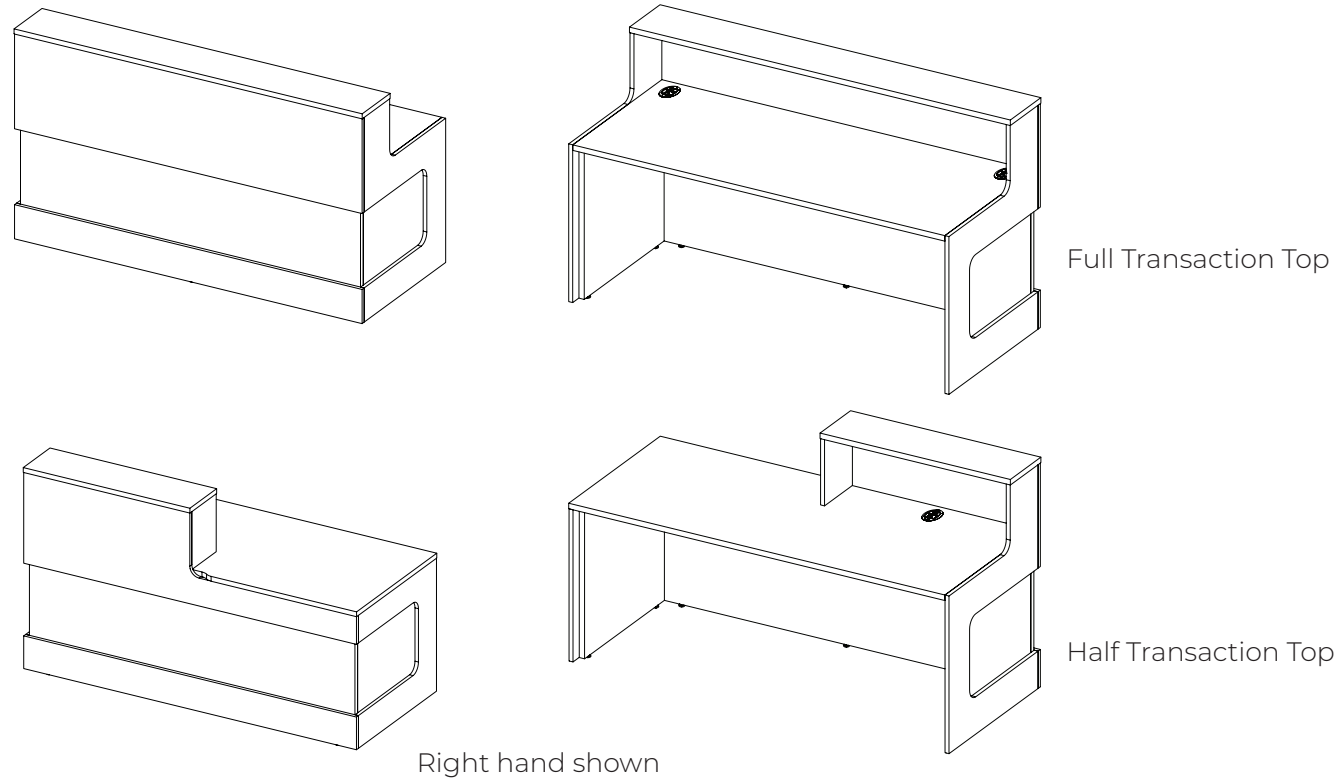
Metal Kickplate Base

Short Transaction Top

Code	Price	H	W	D
Left Hand				
R3-L0MW-S-7272-A-L	\$7291	42	72	72
R3-L0MW-S-7284-A-L	\$7485	42	72	84
R3-L0MW-S-7296-A-L	\$7938	42	72	96
R3-L0MW-S-8472-A-L	\$7564	42	84	72
R3-L0MW-S-8484-A-L	\$7907	42	84	84
R3-L0MW-S-8496-A-L	\$8263	42	84	96
R3-L0MW-S-9672-A-L	\$7977	42	96	72
R3-L0MW-S-9684-A-L	\$8337	42	96	84
R3-L0MW-S-9696-A-L	\$8716	42	96	96
Right Hand				
R3-L0MW-S-7272-A-R	\$7291	42	72	72
R3-L0MW-S-7284-A-R	\$7485	42	72	84
R3-L0MW-S-7296-A-R	\$7938	42	72	96
R3-L0MW-S-8472-A-R	\$7564	42	84	72
R3-L0MW-S-8484-A-R	\$7907	42	84	84
R3-L0MW-S-8496-A-R	\$8263	42	84	96
R3-L0MW-S-9672-A-R	\$7977	42	96	72
R3-L0MW-S-9684-A-R	\$8337	42	96	84
R3-L0MW-S-9696-A-R	\$8716	42	96	96

Long Transaction Top

Code	Price	H	W	D
Left Hand				
R3-L0MW-L-7272-A-L	\$7407	42	72	72
R3-L0MW-L-7284-A-L	\$7601	42	72	84
R3-L0MW-L-7296-A-L	\$8055	42	72	96
R3-L0MW-L-8472-A-L	\$7681	42	84	72
R3-L0MW-L-8484-A-L	\$8023	42	84	84
R3-L0MW-L-8496-A-L	\$8379	42	84	96
R3-L0MW-L-9672-A-L	\$8093	42	96	72
R3-L0MW-L-9684-A-L	\$8454	42	96	84
R3-L0MW-L-9696-A-L	\$8833	42	96	96
Right Hand				
R3-L0MW-L-7272-A-R	\$7407	42	72	72
R3-L0MW-L-7284-A-R	\$7601	42	72	84
R3-L0MW-L-7296-A-R	\$8055	42	72	96
R3-L0MW-L-8472-A-R	\$7681	42	84	72
R3-L0MW-L-8484-A-R	\$8023	42	84	84
R3-L0MW-L-8496-A-R	\$8379	42	84	96
R3-L0MW-L-9672-A-R	\$8093	42	96	72
R3-L0MW-L-9684-A-R	\$8454	42	96	84
R3-L0MW-L-9696-A-R	\$8833	42	96	96



What's Included:

One (1) complete straight border reception desk with hardware and corresponding grommets

How to Specify:

Refer to laminate swatches for laminate selections

Notes:

Available with full or half Transaction top

Full transaction tops come with three (3) grommets. Half transaction tops come with two (2) grommets

Up to two laminate colors can be chosen - one for the outer border portion, transaction top and worksurface the other for the desk core inner border portion

Reception desk is sold as one unit including hardware, storage must be specified separately

Reception is shipped knocked down

Front half transaction is 36"W for 72"W reception, 48"W for 84"W reception, and 60"W for 96"W reception

Options:

Width: 72", 78", 84", 90", 96"

Depth: 30"

With full transaction or half transaction top

Laminate color for border shell and transaction top

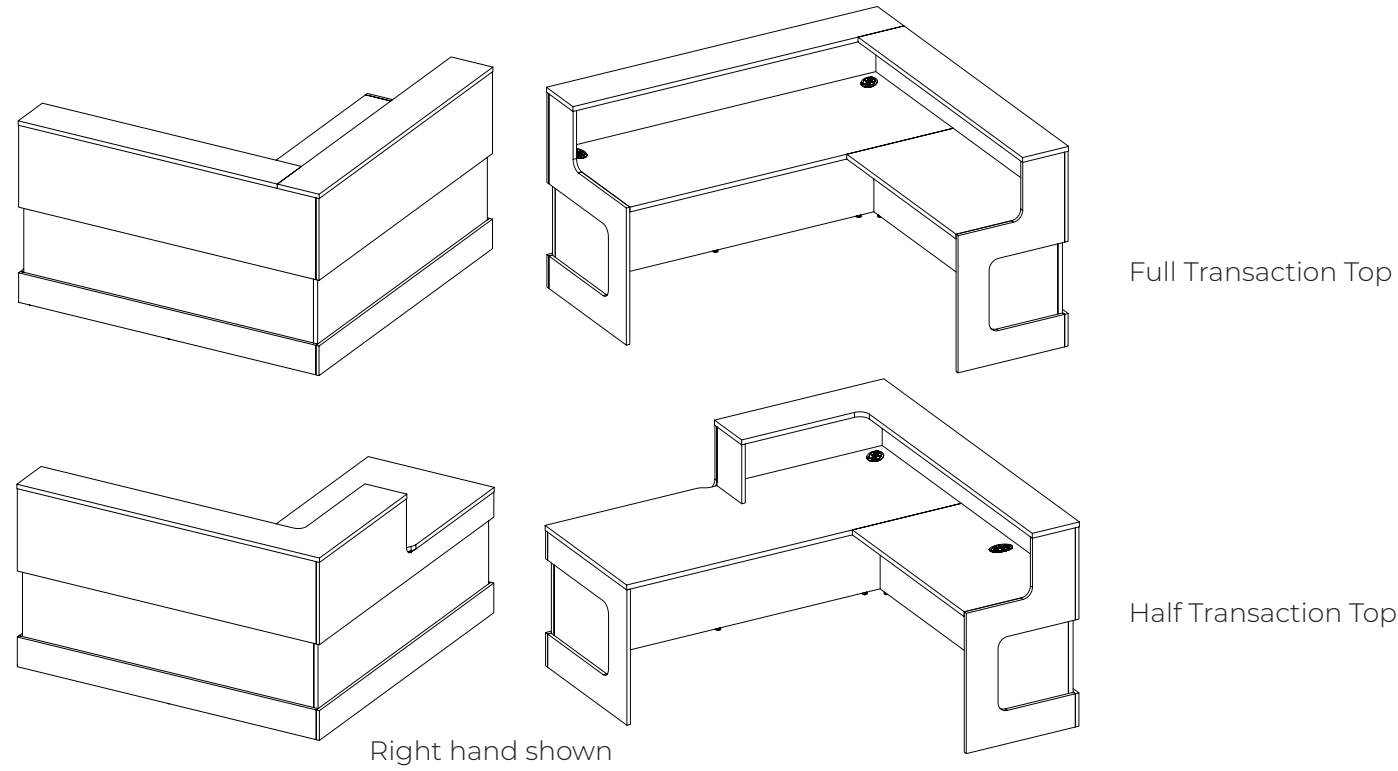
Laminate color for desk core inner body and worksurface

Full Transaction Top

Code	Price	H	W	D
R2-S0TF-7230	\$4003	42	72	30
R2-S0TF-7830	\$4068	42	78	30
R2-S0TF-8430	\$4198	42	84	30
R2-S0TF-9030	\$4393	42	90	30
R2-S0TF-9630	\$4522	42	96	30

Half Transaction Top

Code	Price	H	W	D
Left Hand				
R2-S0TH-7230-L	\$3886	42	72	30
R2-S0TH-7830-L	\$3952	42	78	30
R2-S0TH-8430-L	\$4081	42	84	30
R2-S0TH-9030-L	\$4276	42	90	30
R2-S0TH-9630-L	\$4405	42	96	30
Right Hand				
R2-S0TH-7230-R	\$3886	42	72	30
R2-S0TH-7830-R	\$3952	42	78	30
R2-S0TH-8430-R	\$4081	42	84	30
R2-S0TH-9030-R	\$4276	42	90	30
R2-S0TH-9630-R	\$4405	42	96	30



What's Included:

One (1) complete L-shape borderreception desk with hardware and corresponding grommets

How to Specify:

Refer to laminate swatches for laminate selections

Notes:

- Available with full or Half Transaction top
- Half Transaction top allows for parallel wheelchair access
- Full transaction tops come with three (3) grommets. Half transaction tops come with two (2) grommets
- Up to two laminate colors can be chosen - one for the outer border portion, transaction top and worksurface the other for the desk core inner border portion
- Reception desk is sold as one unit including hardware, storage must be specified separately
- Reception is shipped knocked down
- Front half transaction is 36"W for 72"W reception, 48"W for 84"W reception, and 60"W for 96"W reception

Options:

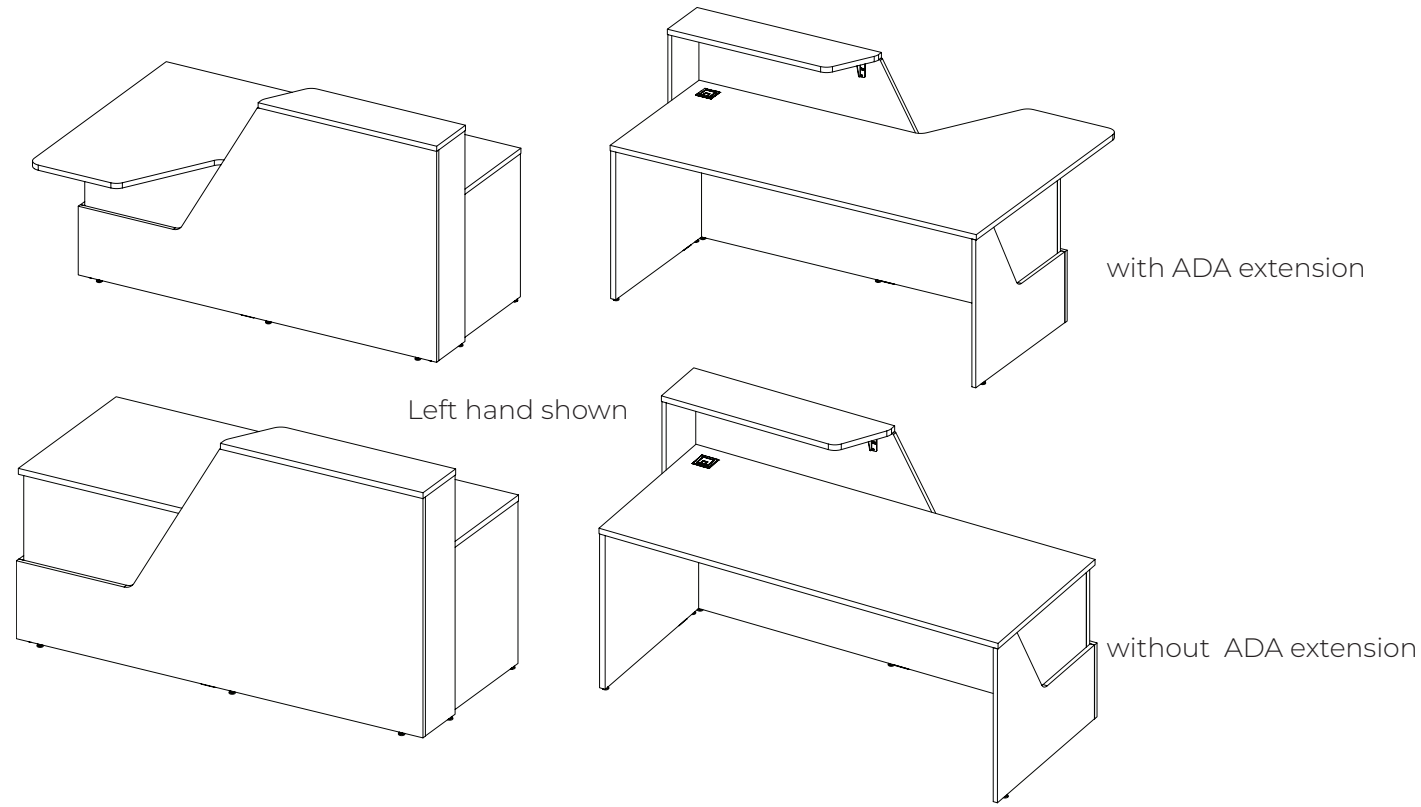
- Width: 72", 84", 96"
- Length: 72", 84, 96"
- Front worksurface depth: 30"
- Return worksurface depth: 24"
- With full transaction or Half Transaction top
- Laminate color for border shell and transaction top
- Laminate color for desk core inner body and worksurface

Full Transaction Top

Code	Price	H	W	D
Left Hand				
R2-L0TF-7272-A-L	\$6533	42	72	72
R2-L0TF-7284-A-L	\$6727	42	72	84
R2-L0TF-7296-A-L	\$7180	42	72	96
R2-L0TF-8472-A-L	\$6806	42	84	72
R2-L0TF-8484-A-L	\$7149	42	84	84
R2-L0TF-8496-A-L	\$7505	42	84	96
R2-L0TF-9672-A-L	\$7219	42	96	72
R2-L0TF-9684-A-L	\$7579	42	96	84
R2-L0TF-9696-A-L	\$7958	42	96	96
Right Hand				
R2-L0TF-7272-A-R	\$6533	42	72	72
R2-L0TF-7284-A-R	\$6727	42	72	84
R2-L0TF-7296-A-R	\$7180	42	72	96
R2-L0TF-8472-A-R	\$6806	42	84	72
R2-L0TF-8484-A-R	\$7149	42	84	84
R2-L0TF-8496-A-R	\$7505	42	84	96
R2-L0TF-9672-A-R	\$7219	42	96	72
R2-L0TF-9684-A-R	\$7579	42	96	84
R2-L0TF-9696-A-R	\$7958	42	96	96

Half Transaction Topw

Code	Price	H	W	D
Left Hand				
R2-L0TH-7272-A-L	\$6300	42	72	72
R2-L0TH-7284-A-L	\$6494	42	72	84
R2-L0TH-7296-A-L	\$6947	42	72	96
R2-L0TH-8472-A-L	\$6573	42	84	72
R2-L0TH-8484-A-L	\$6915	42	84	84
R2-L0TH-8496-A-L	\$7272	42	84	96
R2-L0TH-9672-A-L	\$6985	42	96	72
R2-L0TH-9684-A-L	\$7346	42	96	84
R2-L0TH-9696-A-L	\$7725	42	96	96
Right Hand				
R2-L0TH-7272-A-R	\$6300	42	72	72
R2-L0TH-7284-A-R	\$6494	42	72	84
R2-L0TH-7296-A-R	\$6947	42	72	96
R2-L0TH-8472-A-R	\$6573	42	84	72
R2-L0TH-8484-A-R	\$6915	43	84	84
R2-L0TH-8496-A-R	\$7272	43	84	96
R2-L0TH-9672-A-R	\$6985	42	96	72
R2-L0TH-9684-A-R	\$7346	42	96	84
R2-L0TH-9696-A-R	\$7725	42	96	96



What's Included:

One (1) complete straight angled reception desk with hardware

How to Specify:

Refer to laminate swatches for laminate selections

Notes:

- Available with or without ADA
- ADA transaction surface is 48"L by 29"W and protrudes 18"D off the main surface
- Straight units come with one (1) grommet
- Up to two laminate colors can be chosen - one for the angled portion and transaction top and the other for the desk core and worksurface
- Reception desk is sold as one unit including hardware, storage must be specified separately
- Reception is shipped knocked down
- Front transaction is 36"W for 72"W reception, 42"W for 84"W reception and 54"W for 96"W reception

Options:

Width: 72", 84", 96"

Depth: 30"

With or without ADA extension

Laminate color for angled portion and transaction top

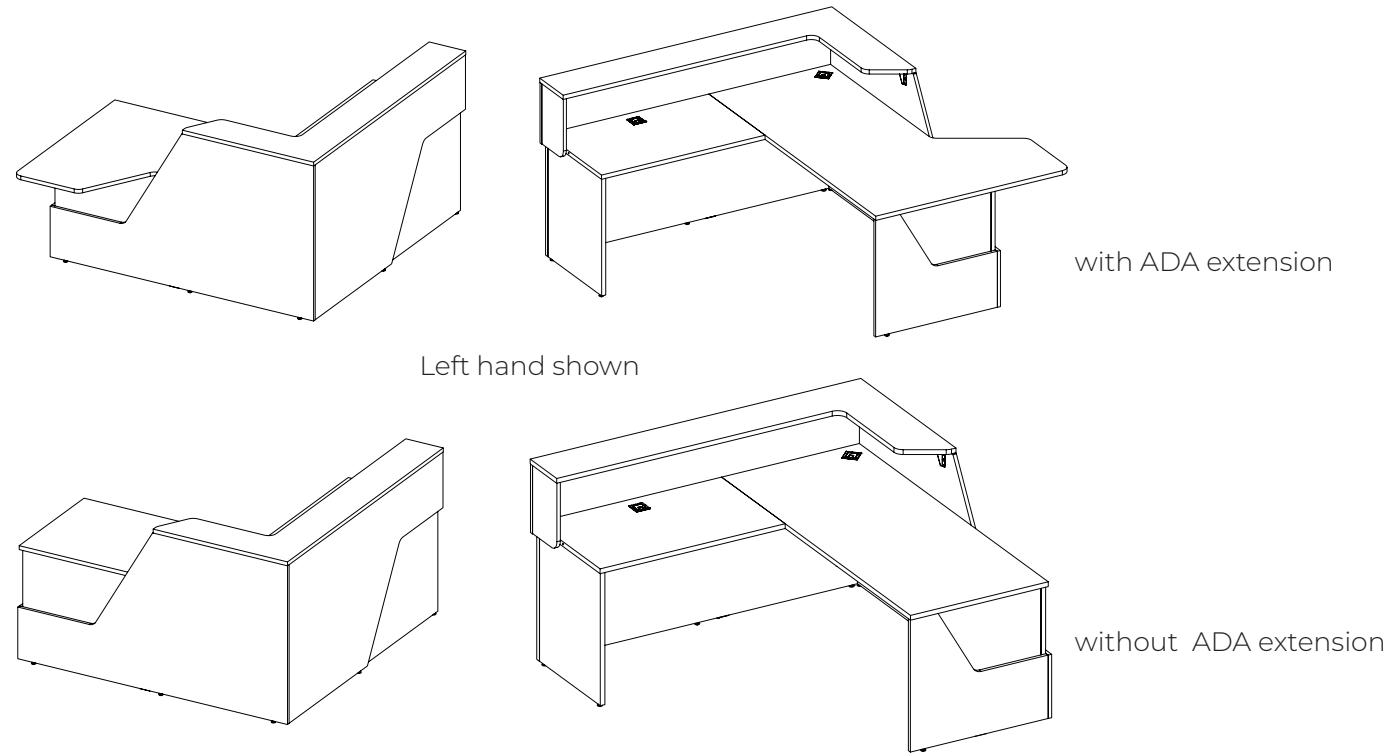
Laminate color for desk core and surface

With ADA extension

Code	Price	H	W	D
Left Hand				
R1-SATS-7230-L	\$3653	42	72	30
R1-SATS-7830-L	\$3718	42	78	30
R1-SATS-8430-L	\$3848	42	84	30
R1-SATS-9030-L	\$4043	42	90	30
R1-SATS-9630-L	\$4172	42	96	30
Right Hand				
R1-SATS-7230-R	\$3653	42	72	30
R1-SATS-7830-R	\$3718	42	78	30
R1-SATS-8430-R	\$3848	42	84	30
R1-SATS-9030-R	\$4043	42	90	30
R1-SATS-9630-R	\$4172	42	96	30

Without ADA extension

Code	Price	H	W	D
Left Hand				
R1-SNTS-7230-L	\$3566	42	72	30
R1-SNTS-7830-L	\$3631	42	78	30
R1-SNTS-8430-L	\$3761	42	84	30
R1-SNTS-9030-L	\$3955	42	90	30
R1-SNTS-9630-L	\$4084	42	96	30
Right Hand				
R1-SNTS-7230-R	\$3566	42	72	30
R1-SNTS-7830-R	\$3631	42	78	30
R1-SNTS-8430-R	\$3761	42	84	30
R1-SNTS-9030-R	\$3955	42	90	30
R1-SNTS-9630-R	\$4084	42	96	30



What's Included:

One (1) complete L-shape angled reception desk with hardware

How to Specify:

Refer to laminate swatches for laminate selections

Up to two laminate colors can be chosen - one for the angled portion and transaction top and the other for the desk core and worksurface

Notes:

Available with or without ADA extension

ADA transaction surface is 48"L by 29"W and protrudes 18"D off the main surface

L shape units come with two (2) grommets

Reception desk is sold as one unit including hardware, storage must be specified separately

Reception is shipped knocked down

User side will always have a partial transaction top to allow for ADA extension or open space for ADA parallel wheelchair access

Front transaction is 36"W for 72"W reception, 42"W for 84"W reception and 54"W for 96"W reception

Options:

Width: 72", 84", 96"

Length: 72", 84, 96"

Front worksurface depth: 30"

Return worksurface depth: 24"

With out without ADA extension

Laminate color for angled portion and transaction top

Laminate color for desk core and surface

With ADA extension

Code	Price	H	W	D
Left Hand				
R1-LATH-7272-A-L	\$5921	43	72	72
R1-LATH-7284-A-L	\$6114	42	72	84
R1-LATH-7296-A-L	\$6568	42	72	84
R1-LATH-8472-A-L	\$6194	42	84	72
R1-LATH-8484-A-L	\$6537	42	84	84
R1-LATH-8496-A-L	\$6892	42	84	96
R1-LATH-9672-A-L	\$6607	42	96	72
R1-LATH-9684-A-L	\$6967	42	96	84
R1-LATH-9696-A-L	\$7346	42	96	96

Right Hand

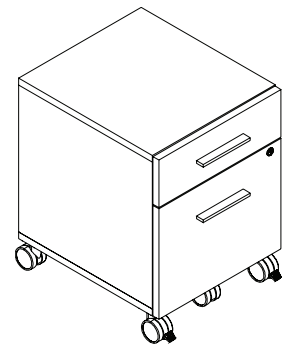
R1-LATH-7272-A-R	\$5921	43	72	72
R1-LATH-7284-A-R	\$6114	42	72	84
R1-LATH-7296-A-R	\$6568	42	72	84
R1-LATH-8472-A-R	\$6194	42	84	72
R1-LATH-8484-A-R	\$6537	42	84	84
R1-LATH-8496-A-R	\$6892	42	84	96
R1-LATH-9672-A-R	\$6607	42	96	72
R1-LATH-9684-A-R	\$6967	42	96	84
R1-LATH-9696-A-R	\$7346	42	96	96

Without ADA extension

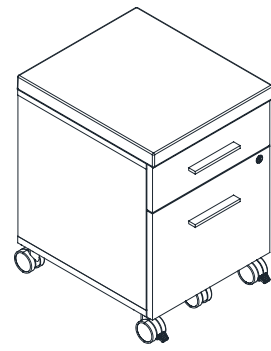
Code	Price	H	W	D
Left Hand				
R1-LNTH-7272-A-L	\$5833	43	72	72
R1-LNTH-7284-A-L	\$6027	42	72	84
R1-LNTH-7296-A-L	\$6481	42	72	84
R1-LNTH-8472-A-L	\$6107	42	84	72
R1-LNTH-8484-A-L	\$6449	42	84	84
R1-LNTH-8496-A-L	\$6805	42	84	96
R1-LNTH-9672-A-L	\$6519	42	96	72
R1-LNTH-9684-A-L	\$6879	42	96	84
R1-LNTH-9696-A-L	\$7259	42	96	96

Right Hand

R1-LNTH-7272-A-R	\$5833	43	72	72
R1-LNTH-7284-A-R	\$6027	42	72	84
R1-LNTH-7296-A-R	\$6481	42	72	84
R1-LNTH-8472-A-R	\$6107	42	84	72
R1-LNTH-8484-A-R	\$6449	42	84	84
R1-LNTH-8496-A-R	\$6805	42	84	96
R1-LNTH-9672-A-R	\$6519	42	96	72
R1-LNTH-9684-A-R	\$6879	42	96	84
R1-LNTH-9696-A-R	\$7259	42	96	96



box/ file/no cushion



box/file w/ cushion

What's Included:

One (1) box/file mobile pedestal or one (1) box/file mobile pedestal with cushion, five (5) lockable casters

How to Specify:

- With or without cushion
- Refer to seating fabric card for cushion fabric selection
- Choose handle type and finish
- Choose depth
- Choose silver or white for caster finish

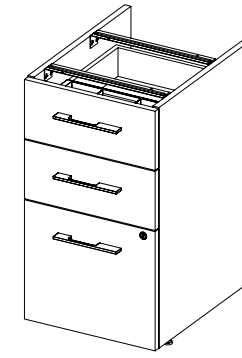
Options:

- Height: 21" without cushion, 22" with cushion
- Width: 16"
- Depth: 18"

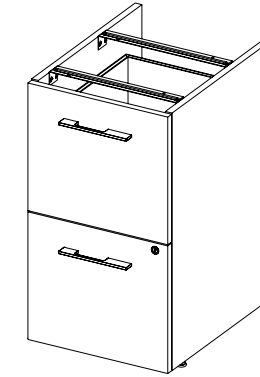
Notes:

Locks can be keyed alike or random

Code	Price	H	W	D	Weight (lb.)	Volume (ft ³)
box/file/no cushion						
RS-FPL0-211618	\$1,236.00	21	16	18		
box/file w/ cushion Grade 1 Fabric						
RS-FPLS-221618-1	\$1,286.00	22	16	18		
box/file w/ cushion Grade 2 Fabric						
RS-FPLS-221618-2	\$1,319.00	22	16	18		
box/file w/ cushion Grade 3 Fabric						
RS-FPLS-221618-3	\$1,353.00	22	16	18		
box/file w/ cushion Grade 6 Fabric						
RS-FPLS-221618-6	\$1,452.00	22	16	18		



Box/Box/File



File/File

What's Included:

One (1) box/box/file or one (1) file/file underdesk pedestal

How to Specify:

Pedestal type: box/box/file, file/file

Options:

- Height: 28"
- Width: 16"
- Depth: 21"
- Left hand, right hand, standard

Notes:

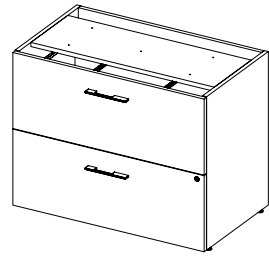
- Locks can be keyed alike or random
- Aloha must be specified as standard
- Maeva must be specified as left handed or right handed
- Karibu reception requires left hand or right hand for the side with ADA extension/open side.
- Transaction side requires standard pedestal

Box/Box/File

Code	Price	H	W	D
Left Hand				
RS-FPBU-281621-L	\$968	28	16	21
Right Hand				
RS-FPBU-281621-R	\$968	28	16	21
Standard				
RS-FPBU-281621-A	\$968	28	16	21

File/File

Code	Price	H	W	D
Left Hand				
RS-FPFU-281621-L	\$883	28	16	21
Right Hand				
RS-FPFU-281621-R	\$883	28	16	21
Standard				
RS-FPFU-281621-A	\$883	28	16	21



What's Included:

One (1) two drawer underdesk lateral filing cabinet, each drawer is equipped with two (2) bars for front to back filing

How to Specify:

Refer to laminate swatches for laminate selections

Choose handle type and finish

Notes:

Locks can be keyed alike or random

Aloha must be specified as standard

Maeva must be specified as left handed or right handed

Karibu reception requires left hand or right hand for the side with ADA extension/open side. Transaction side requires standard lateral

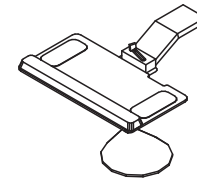
Options:

Height: 28"

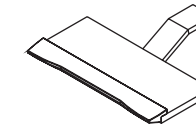
Width: 30", 36", 42"

Depth: 21"

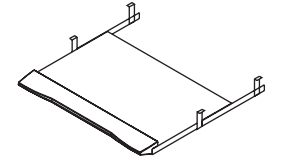
Code	Price	H	W	D
Left Hand				
RS-FL2U-283021-L	\$1495	28	30	21
RS-FL2U-283621-L	\$1548	28	36	21
RS-FL2U-284221-L	\$1632	28	42	21
Right Hand				
RS-FL2U-283021-R	\$1495	28	30	21
RS-FL2U-283621-R	\$1548	28	36	21
RS-FL2U-284221-R	\$1632	28	42	21
Standard				
RS-FL2U-283021-A	\$1495	28	30	21
RS-FL2U-283621-A	\$1548	28	36	21
RS-FL2U-284221-A	\$1632	28	42	21



Articulating Keyboard Tray w/Mouse Tray



Articulating Laminate Keyboard Tray



Retractable Laminate Keyboard Tray

How to Specify:

Each laminate comes with matching vinyl trim color unless otherwise specified on your purchase order. Refer to the laminate finish card for details.

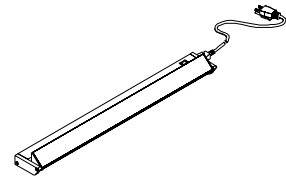
Notes:

All keyboard trays include palm rests.

Options:

laminate color (for laminate keyboard trays)

Code	Price	H	W	D	Volume (ft ³)	Weight (lb)
Articulating Keyboard Tray w/Mouse Tray						
V-KAS0-2011-L	629	0	20	11	0	3
V-KAS0-2011-R	629	0	20	11	0	3
Articulating Laminate Keyboard Tray						
V-KAS0-2510	#N/A	0	25	10	0	15
Retractable Laminate Keyboard Tray						
V-KRS0-2516	264	0	25	16	0	12

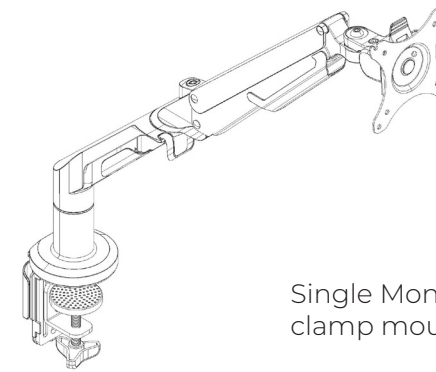


Task Light

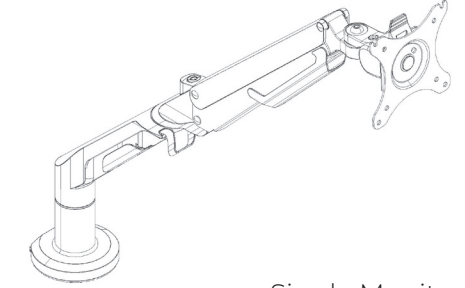
Notes:

Task light comes in black finish.

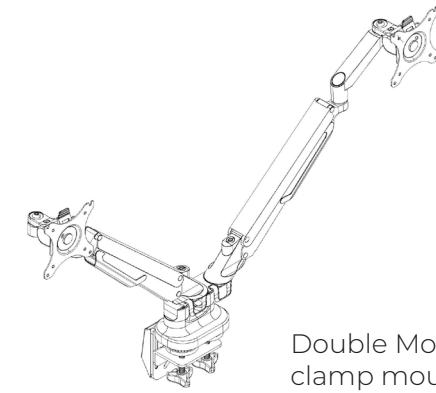
Code	Price	H	W	D	Volume (ft ³)	Weight (lb)
V-ELU-24	302	0	24	0	0	9.5
V-ELU-36	340	0	36	0	0	13.7
V-ELU-48	427	0	48	0.15	0	17.9



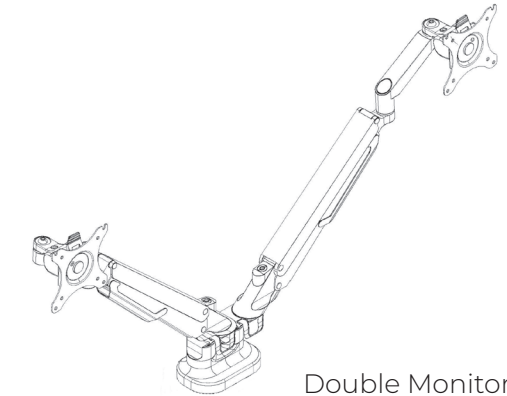
Single Monitor Arm - clamp mount



Single Monitor Arm - grommet mount



Double Monitor Arm - clamp mount



Double Monitor Arm - grommet mount

What's Included:

One monitor arm and installation hardware for both clamp and grommet mount

How to Specify:

- Specify type

Dimensions:

Vesa: 75x75 and 100x100

Notes:

Available in silver and black

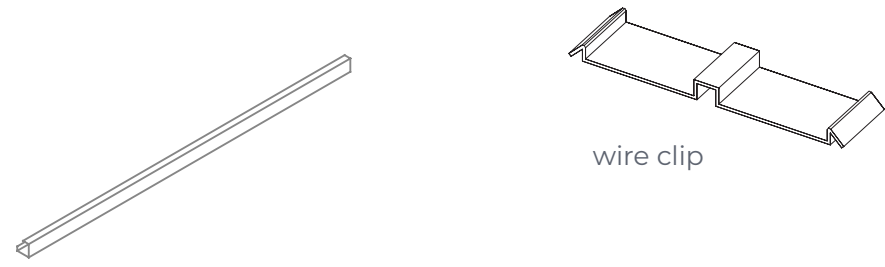
Single Monitor Arm

- Screen Size - 17"-36"
- Load Capacity - 6.6-26.4lbs/3-12kg
- Tilt Range - -90 degrees - -15 degrees

Dual Monitor Arm

- Screen Size - 17"-32"
- Load Capacity - 4.4-19.8lbs/2-9kg
- Tilt Range - -90 degrees - -15 degrees

Code	Price
Monitor Arm - Single Mount	
V-AFMA-01	374
Monitor Arm - Double Mount	
V-AFMA-02	624



What's Included:

One (1) cable manager

How to Specify:

Available in black only

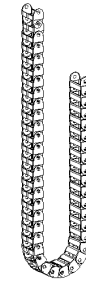
Dimensions:

length 12", 18", 24", 30", 36", 42", 48", 54", 60", 66", 72"

Code	Price	H	W	D	Weight (lb.)	Volume (ft ³)
horizontal wire manager						
V-EWHB-12	8	1.5	12	1.5	0.15	0.02
V-EWHB-18	12	1.5	18	1.5	0.25	0.02
V-EWHB-24	16	1.5	24	1.5	0.35	0.03
V-EWHB-30	20	1.5	30	1.5	0.45	0.04
V-EWHB-36	23	1.5	36	1.5	0.55	0.05
V-EWHB-42	27	1.5	42	1.5	0.65	0.05
V-EWHB-48	30	1.5	48	1.5	0.75	0.06
V-EWHB-54	33	1.5	54	1.5	0.85	0.07
V-EWHB-60	37	1.5	60	1.5	0.95	0.08
V-EWHB-66	41	1.5	66	1.5	1.05	0.09
V-EWHB-72	43	1.5	72	1.5	1.15	0.09
worksurface wire clips						
V-EWHC	39					



elephant trunk



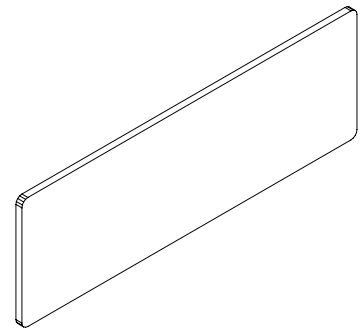
E-Chain Wire Manager

Notes:

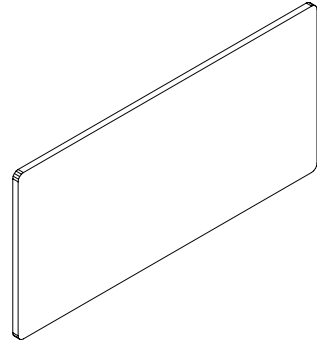
Elephant trunk is available in silver only.

E-Chain is available in black only

Code	Price	H	W	D	Volume (ft ³)	Weight (lb)
elephant trunk						
V-EE00	318	28	4	4	0.25	1
e-chain wire manager						
V-EE-28	295	28			1	1



14-inch



24-inch

What's Included:

Wall mounted tackboard, fasteners.

How to Specify:

Specify fabric.

Notes:

The wall mounted tackboard mounts to a wall in the workspace to provide a fabric wrapped tackable surface.

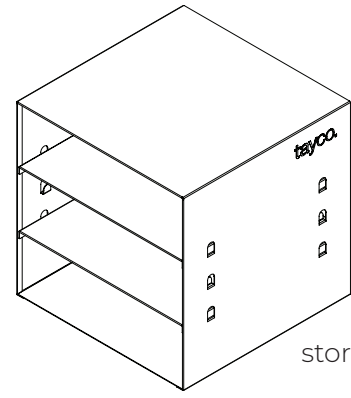
Options:

height	14, 24
width	24, 30, 36, 42, 48, 54, 60, 66, 72
screen finish	panel fabrics

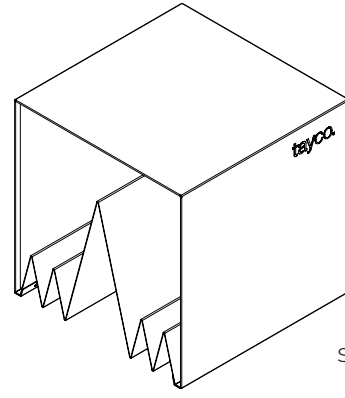
Code	Price	H (in.)	W (in.)	Weight (lb)	Volume (ft ³)
V-ATW0-1424-1	117	14	24	1.2	0.19
V-ATW0-1430-1	126	14	30	1.5	0.24
V-ATW0-1436-1	156	14	36	1.9	0.29
V-ATW0-1442-1	165	14	42	2.2	0.34
V-ATW0-1448-1	171	14	48	2.5	0.39
V-ATW0-1454-1	181	14	54	2.8	0.44
V-ATW0-1460-1	190	14	60	3.1	0.49
V-ATW0-1466-1	240	14	66	3.4	0.54
V-ATW0-1472-1	259	14	72	3.7	0.59
V-ATW0-1478-1	354	14	78	4	0.64
V-ATW0-1484-1	363	14	84	4.3	0.69
V-ATW0-1496-1	375	14	96	4.6	0.79
V-ATW0-2124-1	176	21	24	1.8	0.28
V-ATW0-2130-1	189	21	30	2.25	0.36
V-ATW0-2142-1	248	21	42	3.3	0.51
V-ATW0-2148-1	257	21	48	3.75	0.58
V-ATW0-2154-1	271	21	54	4.2	0.66
V-ATW0-2160-1	284	21	60	4.65	0.73
V-ATW0-2166-1	358	21	66	5.1	0.81
V-ATW0-2172-1	388	21	72	5.55	0.89
V-ATW0-2178-1	531	21	78	6	0.96
V-ATW0-2184-1	546	21	84	6.45	1.03
V-ATW0-2196-1	564	21	96	7.35	1.19
V-ATW0-2424-1	199	24	24	2.05	0.32
V-ATW0-2430-1	214	24	30	2.56	0.41
V-ATW0-2436-1	266	24	36	3.25	0.5
V-ATW0-2442-1	281	24	42	3.76	0.58
V-ATW0-2448-1	290	24	48	4.28	0.67
V-ATW0-2454-1	307	24	54	4.79	0.75
V-ATW0-2460-1	323	24	60	5.3	0.84
V-ATW0-2466-1	406	24	66	5.81	0.92
V-ATW0-2472-1	440	24	72	6.33	1.01
V-ATW0-2478-1	602	24	78	6.84	1.09
V-ATW0-2484-1	617	24	84	7.35	1.18
V-ATW0-2490-1	629	24	90	7.87	1.27
V-ATW0-2496-1	639	24	96	8.38	1.35

Code	Price	H (in.)	W (in.)	Weight (lb)	Volume (ft ³)
V-ATW0-1424-2	149	14	24	1.2	0.19
V-ATW0-1430-2	158	14	30	1.5	0.24
V-ATW0-1436-2	220	14	36	1.9	0.29
V-ATW0-1442-2	230	14	42	2.2	0.34
V-ATW0-1448-2	234	14	48	2.5	0.39
V-ATW0-1454-2	245	14	54	2.8	0.44
V-ATW0-1460-2	254	14	60	3.1	0.49
V-ATW0-1466-2	335	14	66	3.4	0.54
V-ATW0-1472-2	356	14	72	3.7	0.59
V-ATW0-1478-2	451	14	78	4	0.64
V-ATW0-1484-2	459	14	84	4.3	0.69
V-ATW0-1490-2	465	14	90	4.6	0.74
V-ATW0-1496-2	504	14	96	4.9	0.79
V-ATW0-2124-2	208	21	24	1.8	0.28
V-ATW0-2130-2	220	21	30	2.25	0.36
V-ATW0-2136-2	299	21	36	2.85	0.43
V-ATW0-2142-2	313	21	42	3.3	0.51
V-ATW0-2148-2	321	21	48	3.75	0.58
V-ATW0-2154-2	336	21	54	4.2	0.66
V-ATW0-2160-2	349	21	60	4.65	0.73
V-ATW0-2166-2	454	21	66	5.1	0.81
V-ATW0-2172-2	485	21	72	5.55	0.89
V-ATW0-2178-2	628	21	78	6	0.96
V-ATW0-2184-2	641	21	84	6.45	1.03
V-ATW0-2190-2	651	21	90	6.9	1.11
V-ATW0-2196-2	692	21	96	7.35	1.19
V-ATW0-2424-2	231	24	24	2.05	0.32
V-ATW0-2430-2	246	24	30	2.56	0.41
V-ATW0-2436-2	330	24	36	3.25	0.5
V-ATW0-2442-2	346	24	42	3.76	0.58
V-ATW0-2448-2	354	24	48	4.28	0.67
V-ATW0-2454-2	372	24	54	4.79	0.75
V-ATW0-2460-2	387	24	60	5.3	0.84
V-ATW0-2466-2	501	24	66	5.81	0.92
V-ATW0-2472-2	536	24	72	6.33	1.01
V-ATW0-2478-2	697	24	78	6.84	1.09
V-ATW0-2484-2	713	24	84	7.35	1.18
V-ATW0-2490-2	725	24	90	7.87	1.27
V-ATW0-2496-2	767	24	96	8.38	1.35

Code	Price	H (in.)	W (in.)	Weight (lb)	Volume (ft ³)
V-ATW0-1424-3	181	14	24	1.2	0.19
V-ATW0-1430-3	190	14	30	1.5	0.24
V-ATW0-1436-3	284	14	36	1.9	0.29
V-ATW0-1442-3	294	14	42	2.2	0.34
V-ATW0-1448-3	299	14	48	2.5	0.39
V-ATW0-1454-3	310	14	54	2.8	0.44
V-ATW0-1460-3	318	14	60	3.1	0.49
V-ATW0-1466-3	431	14	66	3.4	0.54
V-ATW0-1472-3	452	14	72	3.7	0.59
V-ATW0-1478-3	547	14	78	4	0.64
V-ATW0-1484-3	555	14	84	4.3	0.69
V-ATW0-1490-3	562	14	90	4.6	0.74
V-ATW0-1496-3	568	14	96	4.9	0.79
V-ATW0-2124-3	241	21	24	1.8	0.28
V-ATW0-2130-3	253	21	30	2.25	0.36
V-ATW0-2136-3	363	21	36	2.85	0.43
V-ATW0-2142-3	376	21	42	3.3	0.51
V-ATW0-2148-3	385	21	48	3.75	0.58
V-ATW0-2154-3	400	21	54	4.2	0.66
V-ATW0-2160-3	412	21	60	4.65	0.73
V-ATW0-2166-3	550	21	66	5.1	0.81
V-ATW0-2172-3	581	21	72	5.55	0.89
V-ATW0-2178-3	723	21	78	6	0.96
V-ATW0-2184-3	738	21	84	6.45	1.03
V-ATW0-2190-3	746	21	90	6.9	1.11
V-ATW0-2196-3	757	21	96	7.35	1.19
V-ATW0-2424-3	264	24	24	2.05	0.32
V-ATW0-2430-3	279	24	30	2.56	0.41
V-ATW0-2436-3	394	24	36	3.25	0.5
V-ATW0-2442-3	409	24	42	3.76	0.58
V-ATW0-2448-3	419	24	48	4.28	0.67
V-ATW0-2454-3	436	24	54	4.79	0.75
V-ATW0-2460-3	452	24	60	5.3	0.84
V-ATW0-2466-3	598	24	66	5.81	0.92
V-ATW0-2472-3	632	24	72	6.33	1.01
V-ATW0-2478-3	794	24	78	6.84	1.09
V-ATW0-2484-3	809	24	84	7.35	1.18
V-ATW0-2490-3	820	24	90	7.87	1.27
V-ATW0-2496-3	831	24	96	8.38	1.35



storage cube (shelf)



storage cube (sorter)

What's Included:

Shelf: Storage cube (1) and two shelf inserts (2).
 Sorter: Storage cube (1) and an insert (1).

How to Specify:

Available in a variety of powder coat finish colors. Refer to the samples presented on Tayco metal finish card.
 Storage cube outer shell and insert are available in a variety of color combinations.

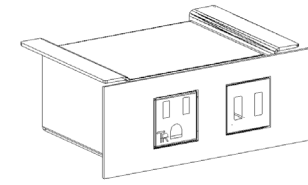
Notes:

Storage cube can hold multiple folders and papers.

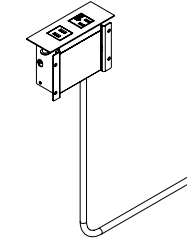
Color combination Options:

Insert Color	OUTER SHELL COLOR							
	P121 white	P112 silver	P114 black	P200 sunrise	P201 tropic	P202 vineyard	P203 sky	P204 meadow
P121 white	✓	✓	✓	✓	✓	✓	✓	✓
P112 silver	✓	✓	✓	✓	✓	✓	✓	✓
P114 black	✓	✓	✓	✓	✓	✓	✓	✓
P200 sunrise	✓	✓	✓	✓				
P201 tropic	✓	✓	✓		✓			
P202 vineyard	✓	✓	✓			✓		
P203 sky	✓	✓	✓				✓	
P204 meadow	✓	✓	✓					✓

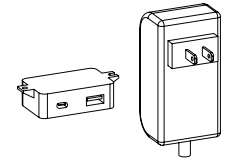
Code	Price	H (in.)	W (in.)	D 1 (in.)	Weight (lb)	Volume (ft ³)
storage cube (shelf)						
V-ACSF	379	12	12	12	8	1
storage cube (sorter)						
V-ACSR	306	12	12	12	8	1



Side Mounted, 1 Outlet + Dual USB Ports

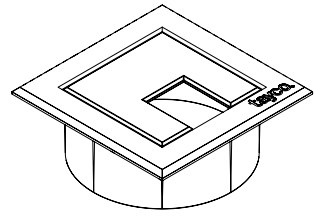


Side Mounted Module With Power And USB

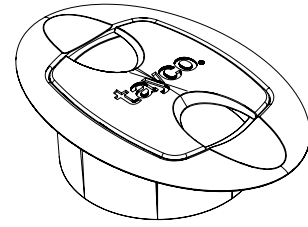


Side Mounted USB A & C, 1 Module, with AC Adapter

Code	Price	H	W	D	Volume	Weight
side Mounted USB, 1 Module, With AC Adapter						
V-ESMU-A	179				2	2
side Mounted USB, 4 Module, With Hub						
V-ESMU-K	995				2	2
side Mounted Module With Power And USB						
V-ESMU-P	260				2	2



square grommet cover



oval grommet cover

Notes:

Square Grommet covers available in black, silver and white.

Oval Grommet covers available in black and silver

Code	Price	H	W	D	Volume (ft ³)	Weight (lb)
square grommet covers						
8540-1132	21	1.25	3.13	3.13	0	0.44
8540-1133	21	1.25	3.13	3.13	0	0.44
8540-1134	21	1.25	3.13	3.13	0	0.44
oval grommet covers						
8540-0790	21	1.13	3	4.75	0	0.44
8540-0791	21	1.13	3	4.75	0	0.44

Code	Price	H	W	D	Volume (ft ³)	Weight (lb)
lock and key						
GEN-LOCK-CORE-KEY	20					