

**tayco**<sup>®</sup>

**Switch**  
installation guide

February 2025

for more information, contact Installation Service  
toll-free | 1.800.675.4092  
Mon - Fri | 8:30 am – 5:00 pm EST  
[www.tayco.com](http://www.tayco.com)

# Table of Contents

<b>General Instructions</b>	<b>6   11</b>
Installation Checklist .....	6
Care and Maintenance .....	7
Caution .....	8
Application Guidelines .....	9
<b>Panel Connections, Components, Fillers, and Hardware</b>	<b>12   151</b>
2-Way 90° Panel Connection - Type A.....	12
2-Way 90° Panel Connection - Type A (2 glazed panels) .....	13
2-Way 90° Panel Connection - Type A (standard & glazed panels).....	15
2-Way 90° Panel Connection - Type B.....	17
2-Way 180° Panel Connection - Type A.....	19
2-Way 180° Panel Connection - Type B.....	20
3-Way Panel Connection - Type A.....	22
3-Way Panel Connection - Type B.....	24
3-Way Panel Connection - Type C.....	27
3-Way Panel Connection - Type D.....	30
4-Way Panel Connection - Type A.....	33
4-Way Panel Connection - Type B.....	36
4-Way Panel Connection - Type C.....	40
4-Way Panel Connection - Type D.....	43
Elevated Panel Foot Cap Installation.....	47
Panel Door – Straight Connection.....	48
Panel Door - 90° Connection.....	55
3-Way Connection – 1 Door .....	63
3-Way Connection – 2 Doors .....	75
Sliding Door .....	87
Sliding Door Post Assembly.....	97
Machine Screws Removal from Glass or Acrylic Panel .....	101
Top Trim Installation .....	102
End Trim Installation .....	103
90° Filler Installation .....	104
“T” Filler Installation.....	105
Partial End Trim Filler Installation .....	106
Partial 90° Filler Installation .....	107
Partial “T” Filler Installation .....	108
Top Trim Mid Cap.....	109
Top Trim Mid Cap with Panel Mounted Glass/Acrylic Screen .....	110
Corner Connector Installation.....	111
Corner Connector Installation with Flipper Cabinet .....	112
Spline Connector Installation .....	113
Panel to Wall Connection.....	114
Raceway Cover Installation .....	118
Gallery Panel, Single Span, End, .....	119
Gallery Panel, Double Span, End, 1 Piece.....	120
Gallery Panel, Double Span, End, 2 Pieces .....	122
Gallery Panel, Single Span, Mid.....	124
Gallery Panel, Double Span, Mid, 1 Piece .....	126

Gallery Panel, Double Span, Mid, 2 Pieces.....	128
Gallery Panel, Single Span Step-down End .....	130
Gallery Panel, Double Span Step-down End, 1 Piece .....	132
Gallery Panel, Double Span Step-down End, 2 Pieces .....	134
Gallery Panel, Single Span Step-down Mid .....	136
Gallery Panel, Double Span Step-down Mid, 1 Piece.....	139
Gallery Panel, Double Span Step-down Mid, 2 Pieces .....	142
Standard Panel Mounted Glass/Acrylic.....	146
Standard Panel Mounted Glass/Acrylic – Double Span .....	148
Gallery Panel Mounted Glass/Acrylic installation .....	150

**Worksurfaces, Worksurface Supports, and Connections 152 | 171**

Transaction Top Installation.....	152
Cantilever Support for Standard Panel .....	154
Cantilever Support for Gallery Panel.....	155
Corner Bracket for Standard Panel .....	156
Reinforcement Bar .....	157
Split Surface Support for Standard Panel.....	158
Split Surface Support for Gallery Panel .....	160
Flush Plate .....	162
Credenza Worksurface Support .....	163
Ladder Gable Leg to Gallery Panel .....	165
Ladder Gable Leg to Standard Panel .....	166
Laminate Gable Leg to Gallery Panel .....	167
Laminate Gable Leg to Standard Panel .....	168
Wrap Gable Leg to Gallery Panel .....	169
Wrap Gable Leg to Standard Panel .....	170
Tower Storage to Worksurface Connection.....	171

**Storage 172 | 188**

Pedestal to Gallery Panel – 24D .....	172
Pedestal to Gallery Panel – 30D .....	174
Pedestal to Standard Panel – 24D .....	176
Underside Pedestal Attachment .....	178
Metal Shelf Installation .....	179
Cubby Storage Installation .....	181
Shared Overhead Cabinet Installation .....	182
Flipper Cabinet Installation .....	183
Open/Hinged Cabinet Installation.....	186

**Accessories 189 | 191**

Tackboard/Whiteboard .....	189
Accessory Rail Installation .....	190
Accessories Installation .....	191
CPU Holder .....	192

**Electrics & Communication 194 | 212**

Electrical Components and Specifications .....	194
Harness Calculation .....	195
Desktop Power/USB Module .....	196
Power Module, Connector Harness & Communication Kit Installation .....	197
Electrical Box Holder Installation .....	200



2-Way Power Pole Installation .....	201
3-Way Power Pole Installation .....	203
4-Way Power Pole Installation .....	205
Gallery Panel, Power Pole Installation .....	207
Standard Panel, End Run Power Pole Installation .....	210

# Installation Checklist

---

Perform a site inspection before the installation date to check existing site conditions and identify constraints and limitations that could cause delays or problems during the actual installation.

## **SITE ACCESSIBILITY**

1. Verify existing loading facilities and the proximity of the loading dock to the staging area.
2. Verify if receiving area is accessible by trailer.
3. Verify access to service elevators.
4. Reserve service elevators in advance, if necessary.

## **SITE PREPARATION**

1. Clear all obstacles that could interfere with the installation process.
2. When doing a reconfiguration, ensure that all furniture to be re-used is clear of computers, accessories, books, papers, and all personal effects.
3. Ensure that all live wires and data/communications wires are disconnected before installation.

## **FURNITURE PLANS**

1. Labeled furniture plans for installation purposes are located in the hardware box. Ensure that drawings are complete and handy before beginning installation.

## **STAGING**

1. If damages are noticed upon opening the trailer, these must be noted by the receiver on the Bill of Lading. Also, note any imperfections or missing components discovered while unpacking the furniture. This information is necessary when requesting product replacement and shipping claims.
2. Unpack products in the general order of installation (refer to Installation Sequence).

## **WASTE MANAGEMENT**

1. Establish a trash removal area separate from the product staging area.

# Care & Maintenance

---

## **Fabrics**

To remove dust particles, lightly vacuum the fabric surface. Spills and fluid should be immediately blotted. For minor fabric stains and marks use water-based fabric solvent, applying light pressure, to lift the dirt and stain. Any use of water and soaps may harm the fabric, causing water stains and damage to the fabric's contents. Do not scrub the fabric with a bristle or vacuum brush as the fabric may pill or tear and the appearance may be permanently affected. Professional steam cleaning is recommended.

## **Laminates**

Dust laminated surfaces for regular maintenance. Clean any dirt or stain with a damp cloth. Do not use excessive water, abrasive cleaners, acids, or alkalis, and do not scratch or scrape surfaces. For persistent stains and marks use a commercial cleaner, such as Cabinet Magic® or Countertop Magic®, both manufactured by Magic American Corporation.

## **Glazed Screens and Cabinet Doors**

Dust glazed screen and cabinet doors regularly to keep surfaces free of dust particles. Clean any dirt or stain with a damp cloth. Dry the area using a dry paper cloth. The use of fiber cloths or rags is not recommended as loose particles and debris remaining on the cloth may scratch or harm the acrylic surface. Do not use other chemical cleaners or window cleaners as their chemical compositions may alter and/or permanently affect the surface appearance.

## **Painted Metals**

Tayco's painted metal products are powder-paint-coated. To clean these products, use a damp cloth, using only a small amount of lukewarm water if necessary. Dry with a clean dry cloth. To avoid scratching and damaging the painted surface, do not use hard-bristled brushes or abrasives.

THE USE OF HARSH CLEANERS AND CHEMICALS MAY PERMANENTLY ALTER THE PRODUCT FINISH APPEARANCE AND WILL VOID THE WARRANTY.



### **Load Bottom Drawer First**

- Operate one drawer at a time.
- Units may tip if loaded incorrectly.
- Units should be attached to a wall or other furniture to reduce tipping hazards.
- Always load the heaviest files in the bottom drawer.

### **Heavy Load**

- Some products must be anchored to the wall to ensure stability & safety.
- It is the owner and installer's responsibility to ensure that the wall type and construction are of sufficient strength to carry loads of any wall-mounted products and their contents.
- Failure of the wall and anchors to support all imposed loads may result in property damage and/or personal injury.
- Tayco can provide the size and empty weight of its products only. A wall blocking is considered a building construction process, Tayco cannot provide recommendations in this respect and cannot be responsible for damage or injury that may occur as a result of improper installation and/or blocking.

### **Instability Hazard**

Mobile items on casters such as flip tops, personal and movable tables of any type, and storage items of any type may present an instability hazard if not secured correctly while in use or storage. Flip-top tables or training tables of any type are inherently more unstable when folded. Tayco provides the following guidelines & warnings when using mobile products:

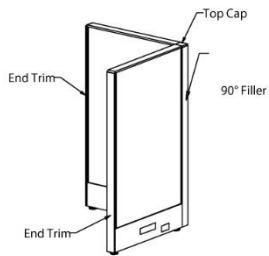
- Lock casters immediately after moving. Do not leave the casters unlocked when in use or storage.
- Motion may increase the instability of any item with casters. If the wheels hit an obstruction the table's forward momentum often causes overturn, especially if the item is not equipped with wheel extensions. Exercise strong caution while moving these items.
- Use caution when abrupt level changes in the floor are present (such as a doorway or room threshold) as caster failure or tipping may result.
- Do not stand, sit or lean on mobile items for support. They are not intended for this use and personal injury or property damage may result.
- Mobile units that feature height-adjustable elements must be lowered to the minimum compressed height when moving to prevent instability. It is also recommended the user remove all computer equipment or other accessories to prevent possible weight imbalance or damage to equipment.
- Failure to follow the guidelines above may result in property damage or personal injury.

# Application Guidelines

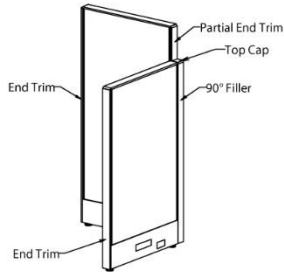
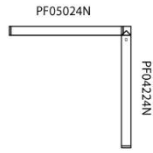
## Connection Types

### 2-Way 90° Connection

Type A Connection

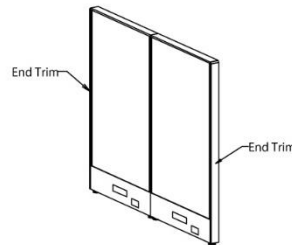


Type B Connection

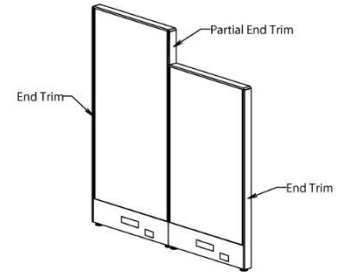


### 2-Way 180° Connection

Type A Connection

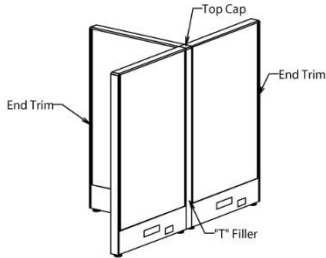
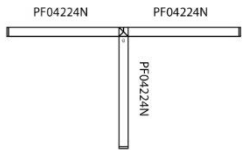


Type B Connection

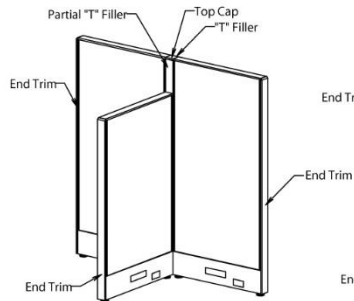
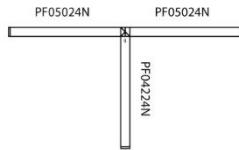


### 3-Way Connection

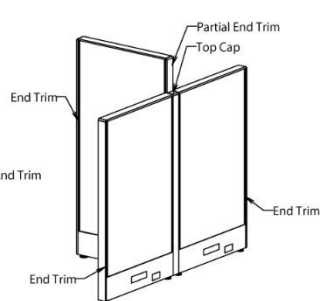
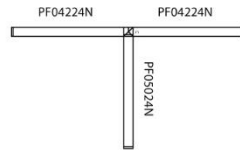
Type A Connection



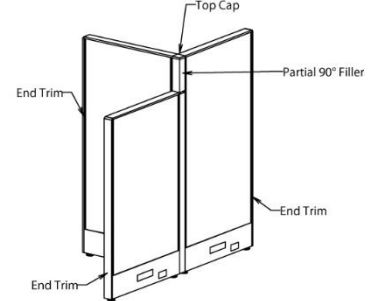
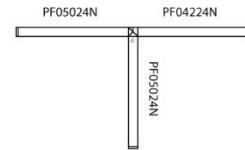
Type B Connection



Type C Connection



Type D Connection



Continued on the next page >>

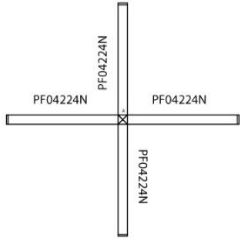
# Application Guidelines

## Connection Types

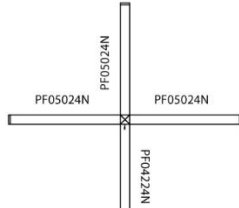
before

### 4-Way Connection

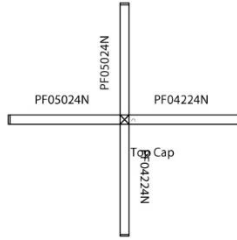
Type A Connection



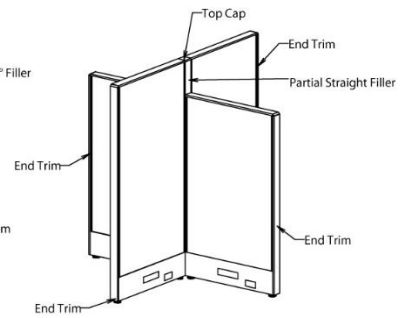
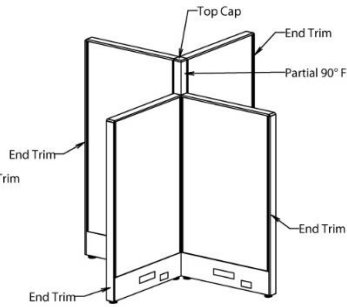
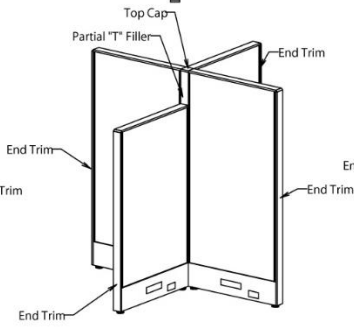
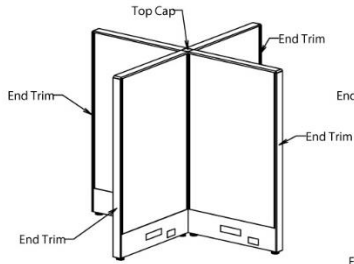
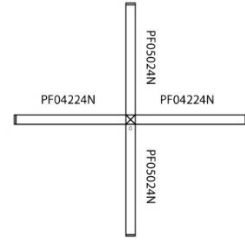
Type B Connection



Type C Connection



Type D Connection

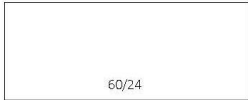


# Application Guidelines

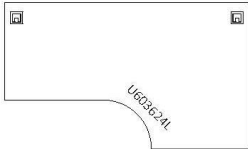
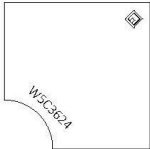
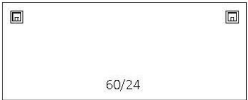
---

## Types of Surfaces

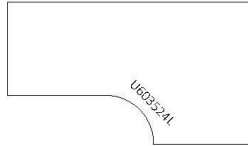
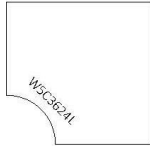
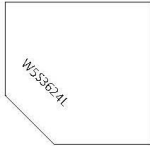
no grommet



with grommet



wireplay



# 2-Way 90° Panel Connection – Type A (2 standard panels)

**Caution:** Do not use #8 X 1-1/4" Flat Head Screws and #8 X 1-1/2" Washer Head Screws on Glass or Acrylic Panels. Remove machine screws from the glass or acrylic frame and apply them to the connector bracket, (See **Machine Screws Removal from Glass or Acrylic panel**).

1. Position the panels to create a 90-degree angle and level them accordingly.
2. Securely fasten the bottom corner bracket into the panel legs with four M6 X 16MM Flat Machine Screws, (Figure 1).
3. Position the 90-degree top connector with a cap on the top corner of the panel which is to be connected, (Figure 2).

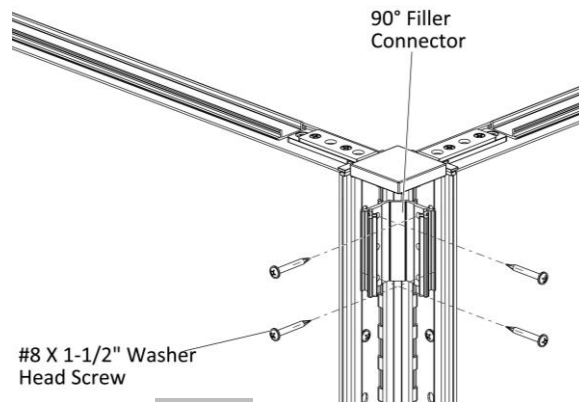
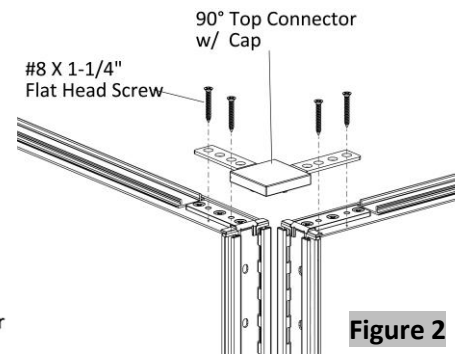
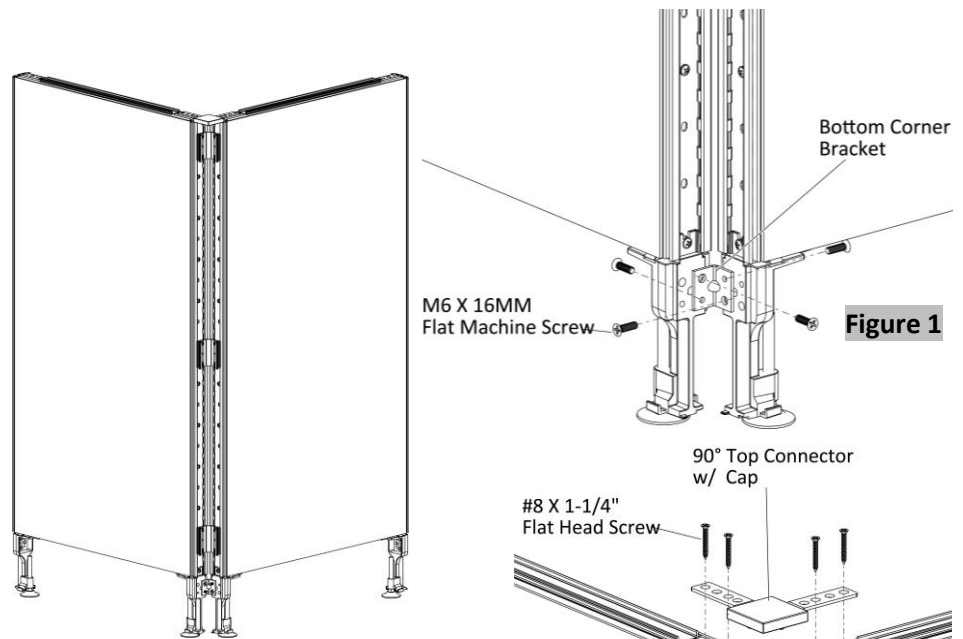
**Without Power Pole:**

Use a 90-degree top connector with a cap.

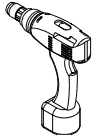
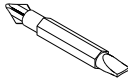
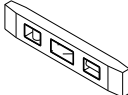
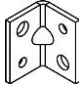
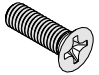
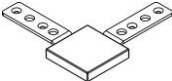

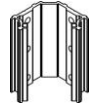

**With Power Pole:**

Use a 2-way power pole bracket, (See **2-Way Power Pole Installation**).

4. Drive four #8 X 1-1/4" Flat Head Screws through the holes in the 90-degree top connector with cap into the panels.
5. Position the 90-degree filler connector at the desired location, (Figure 3).
6. Securely fasten the 90-degree filler connector to panels with four #8 X 1-1/2" Washer Head Screws.
7. Follow **Steps 5 and 6** above to install the remaining 90-degree filler connectors.



**Tools & Hardware Needed**

			8393-0044 	8540-1205 
Drill	Phillips #2 & #3 Bit or Robertson #2	Torpedo Level	Bottom Corner Bracket	M6 X 16MM Flat Machine Screw (4X)
8393-0046, 8540-1188 & 8683-0040 	8540-1008 	8406-0033  34 & 42 High Panels – 2X 50 & 66 High Panels – 3X	8540-1185  34 & 42 High Panels – 8X 50 & 66 High Panels – 12X	
90° Top Connector with Cap	#8 X 1-1/4" Flat Head Screw (4X)	90° Filler Connector	#8 X 1-1/2" Washer Head Screw	



## 2-Way 90° Panel Connection – Type A (2 glazed panels)

**Caution:** Do not use #8 X 1-1/4" Flat Head Screws and #8 X 1-1/2" Washer Head Screws on Glass or Acrylic Panels. Remove machine screws from the glass or acrylic frame and apply them to the connector bracket, (**See Machine Screws Removal from Glass or Acrylic panel**).

1. Position the panels to create a 90-degree angle and level them accordingly.
2. Securely fasten the bottom corner bracket into the panel legs with four M6 X 16MM Flat Machine Screws, (Figure 1).
3. Position the 90-degree top connector with a cap on the top corner of the panel which is to be connected, (Figure 2).

**Without Power Pole:**

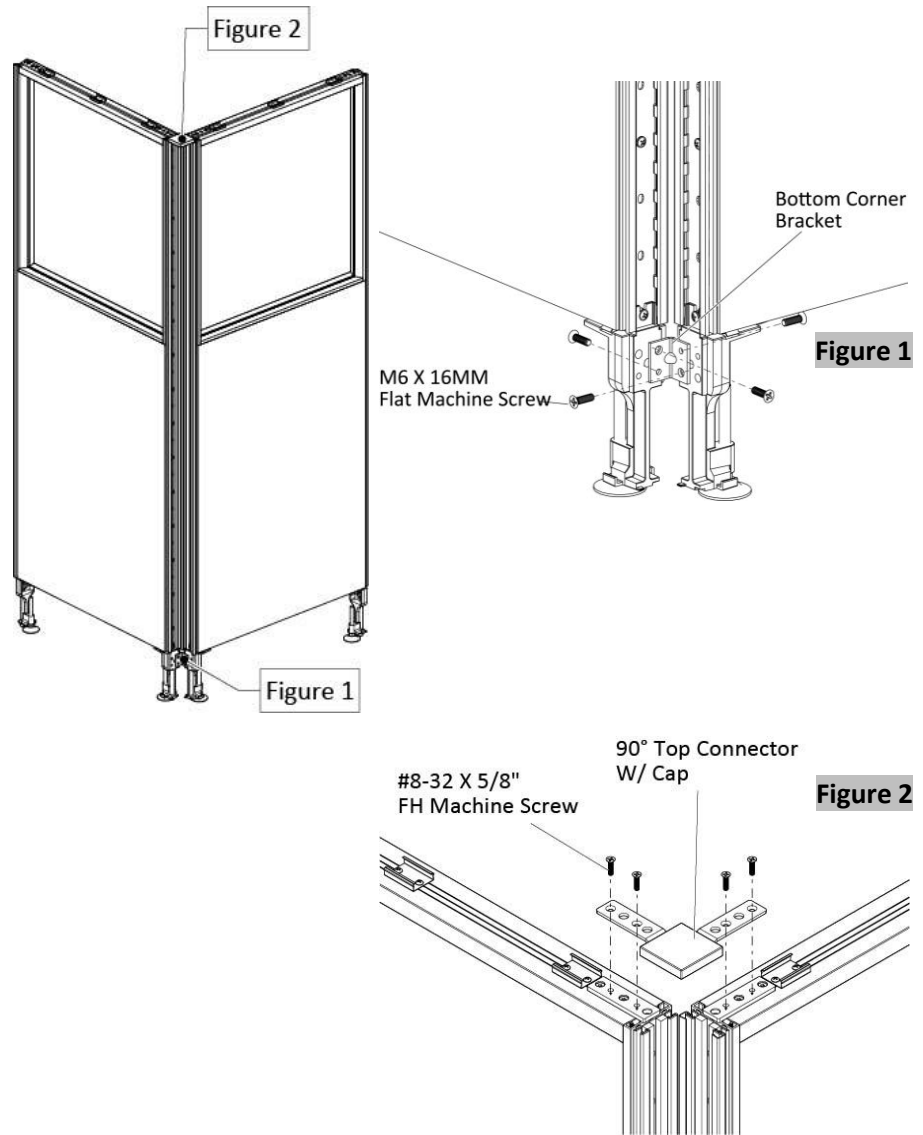
Use a 90-degree top connector with a cap.

**With Power Pole:**


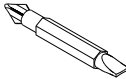
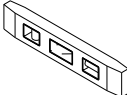
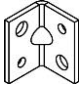
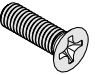


Use a 2-way power pole bracket, (**See 2-Way Power Pole Installation**).

4. Drive four #8-32 X 5/8", Flat Head Machine Screws through the holes in the 90-degree top connector with cap into the panels.

Continued on the next page >>



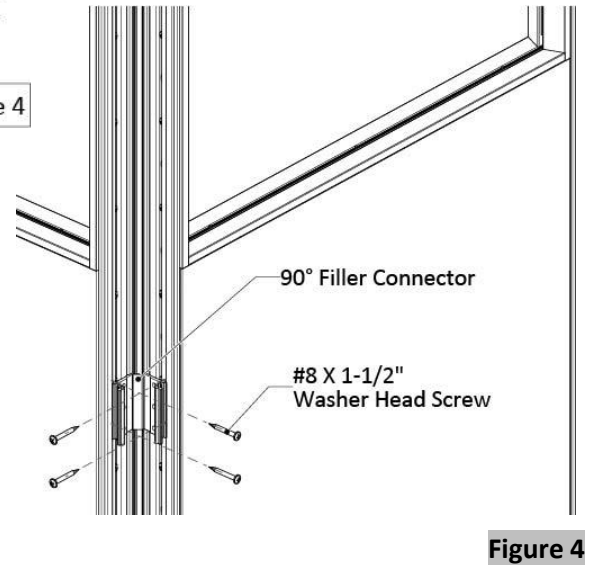
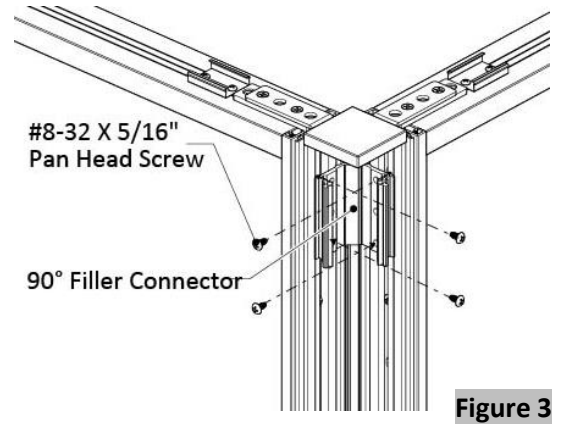
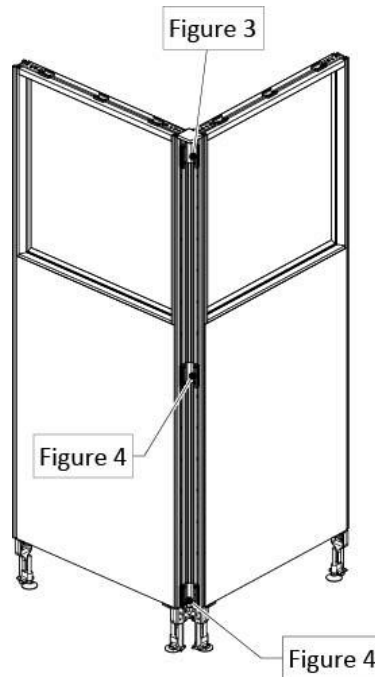
### Tools & Hardware Needed

			8393-0044 	8540-1205 
Drill	Phillips #2 & #3 Bit or Robertson #2	Torpedo Level	Bottom Corner Bracket	M6 X 16MM Flat Machine Screw (4X)
8393-0046, 8540-1188 & 8683-0040 	8540-1196 			
90° Top Connector with Cap	#8-32 X 5/8", FH Mach. Screw (4X)			


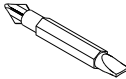
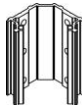


## 2-Way 90° Panel Connection – Type A (2 glazed panels)

**Caution:** Do not use #8 X 1-1/4" Flat Head Screws and #8 X 1-1/2" Washer Head Screws on Glass or Acrylic Panels. Remove machine screws from the glass or acrylic frame and apply them to the connector bracket, (See **Machine Screws Removal from Glass or Acrylic panel**).

5. Position the 90-degree filler connector at the desired location, (Figure 3).
6. Securely fasten the 90-degree filler connector to panels with #8-32 X 5/16" Pan Head Screws (4X).
7. Position the 90-degree filler connector at the desired location, (Figure 4).
8. Securely fasten the 90-degree filler connector to panels with four #8 X 1-1/2" Washer Head Screws.
9. Follow **Steps 7 and 8** above to install the remaining 90-degree filler connectors.



### Tools & Hardware Needed

		8406-0033  34 & 42 High Panels – 2X 50 & 66 High Panels – 3X	8540-1209 	8540-1185 
Drill	Phillips #2 & #3 Bit or Robertson # 2	90° Filler Connector	#8-32 x 5/16" PH Screw (4X)	#8 X 1-1/2" Washer Head Screw

# 2-Way 90° Panel Connection – Type A (standard & glazed panels)

**Caution:** Do not use #8 X 1-1/4" Flat Head Screws and #8 X 1-1/2" Washer Head Screws on Glass or Acrylic Panels. Remove machine screws from the glass or acrylic frame and apply them to the connector bracket, (See **Machine Screws Removal from Glass or Acrylic panel**).

1. Position the panels to create a 90-degree angle and level them accordingly.
2. Securely fasten the bottom corner bracket into the panel legs with four M6 X 16MM Flat Machine Screws, (Figure 1).
3. Position the 90-degree top connector with a cap on the top corner of the panel which is to be connected, (Figure 2).

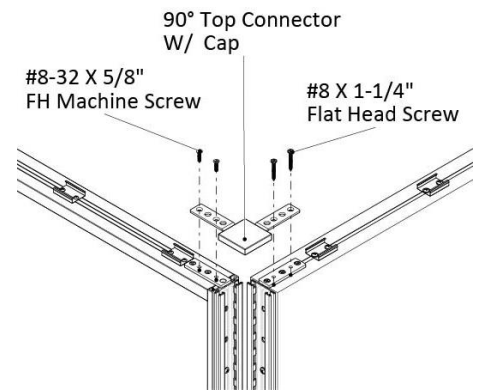
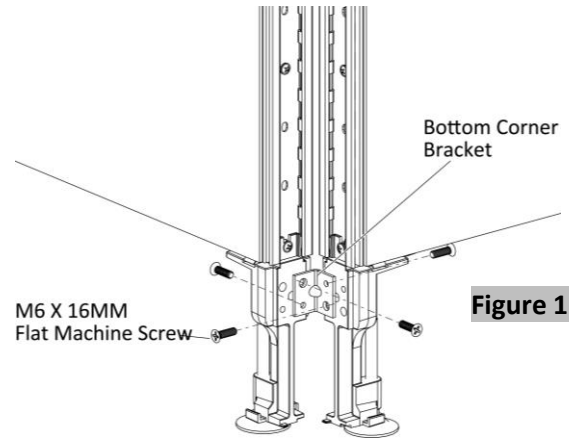
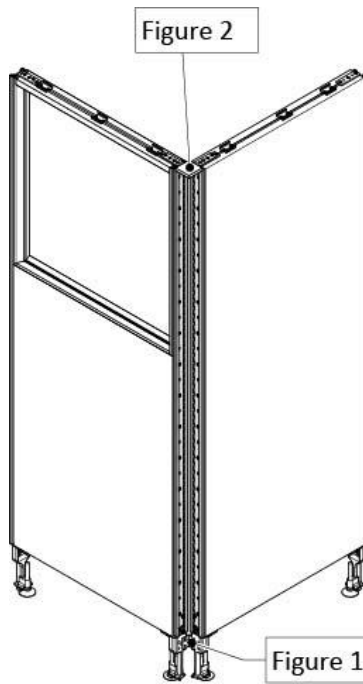
**Without Power Pole:**

Use a 90-degree top connector with a cap.

**With Power Pole:**


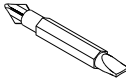
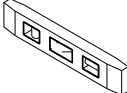
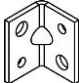
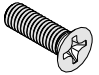
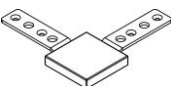


Use a 2-way power pole bracket, (See **2-Way Power Pole Installation**).

4. Drive two #8-32 X 5/8", Flat Head Machine Screws through the holes in the 90-degree top connector with cap into the glazed panel.
5. Drive two #8 X 1-1/4", Flat Head Screws through the holes in the 90-degree top connector with cap into the standard panel.



Continued on the next page >>

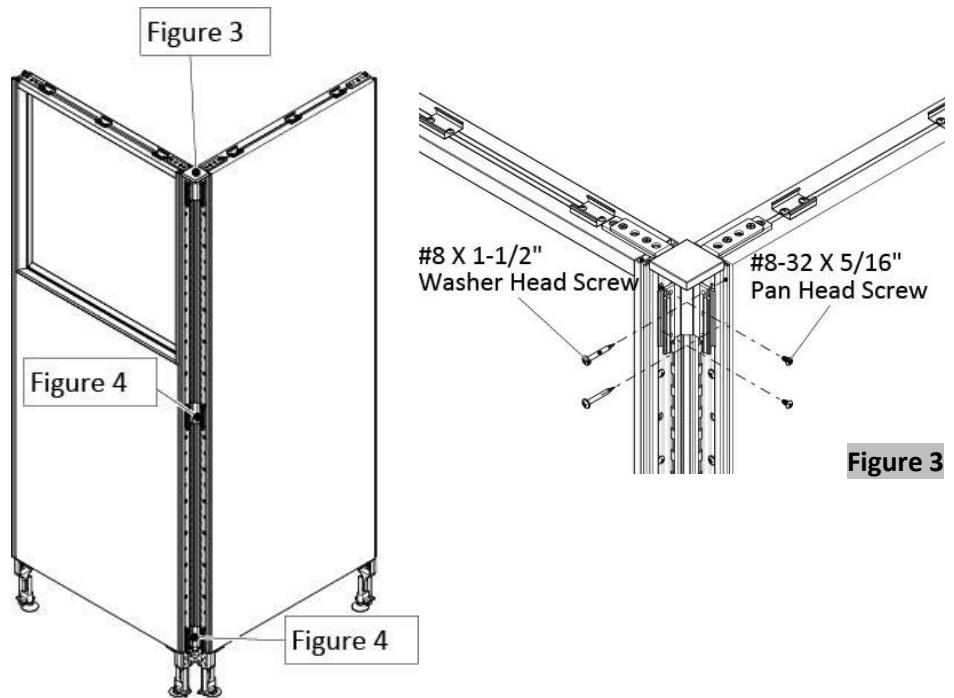
### Tools & Hardware Needed

			8393-0044 	8540-1205 
Drill	Phillips #2 & #3 Bit or Robertson # 2	Torpedo Level	Bottom Corner Bracket	M6 X 16MM Flat Machine Screw (4X)
8393-0046, 8540-1188 & 8683-0040 	8540-1008 	8540-1196 		
90° Top Connector with Cap	#8 X 1-1/4" Flat Head Screw (2X)	#8-32 X 5/8", FH Mach. Screw (2X)		

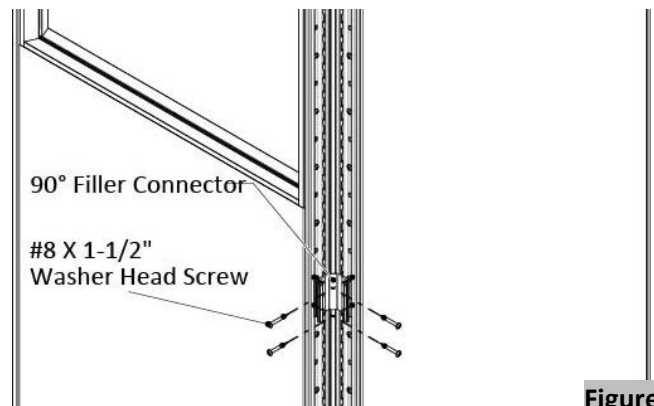
## 2-Way 90° Panel Connection – Type A (standard & glazed panels)

**Caution:** Do not use #8 X 1-1/4" Flat Head Screws and #8 X 1-1/2" Washer Head Screws on Glass or Acrylic Panels. Remove machine screws from the glass or acrylic frame and apply them to the connector bracket, (See **Machine Screws Removal from Glass or Acrylic panel**).

5. Position the 90-degree filler connector at the desired location, (Figure 3).
6. Drive two #8-32 X 5/16" Pan Head Screws through the holes in 90-degree filler into the glazed panel.
7. Drive two #8 X 1-1/2" Washer Head Screws through the holes in 90-degree filler into the standard panel.
8. Position the 90-degree filler connector at the desired location, (Figure 4).
9. Securely fasten the 90-degree filler connector to panels with four #8 X 1-1/2" Washer Head Screws.
10. Follow **Steps 8** and **9** above to install the remaining 90-degree filler connectors.


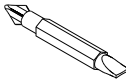
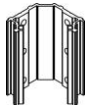




**Figure 3**



**Figure 4**

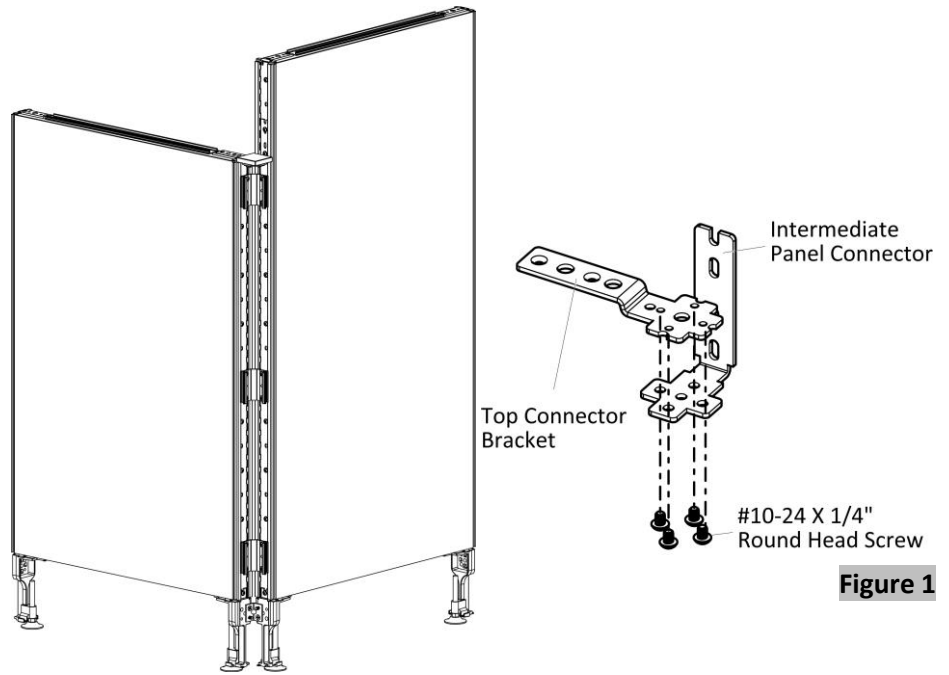
### Tools & Hardware Needed

		8406-0033  34 & 42 High Panels – 2X 50 & 66 High Panels – 3X	8540-1209 	8540-1185  34 & 42 High Panels – 8X 50 & 66 High Panels – 12X
Drill	Phillips #2 & #3 Bit or Robertson #2	90° Filler Connector	#8-32 x 5/16" PH Screw (2X)	#8 X 1-1/2" Washer Head Screw

## 2-Way 90° Panel Connection – Type B

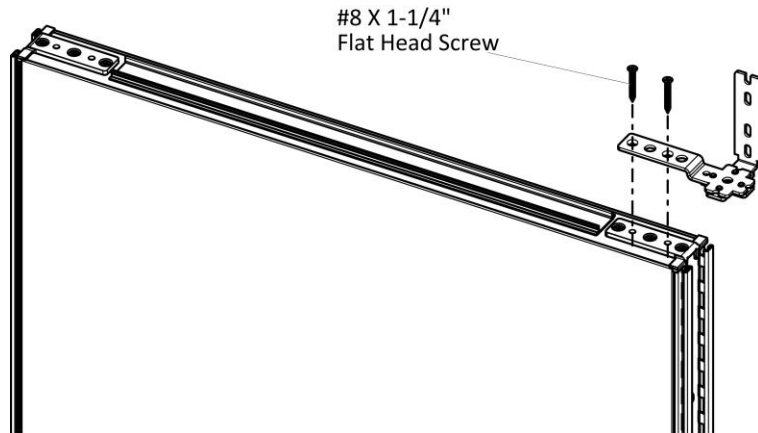
**Caution:** Do not use #8 X 1-1/4" Flat Head Screws and #8 X 1-1/2" Washer Head Screws on Glass or Acrylic Panels. Remove machine screws from the glass or acrylic frame and apply them to the connector bracket, (See **Machine Screws Removal from Glass or Acrylic panel**).

1. Securely fasten the intermediate panel connector to the top connector bracket with four #10-24 X 1/4" Round Head Screws, (Figure 1).
2. Position the assembled connector and bracket on the top edge of the shorter panel, (Figure 2).
3. Drive two #8 X 1-1/4" Flat Head Screws through the holes in the top connector bracket into the frame.



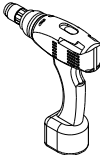
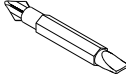
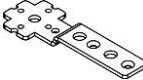
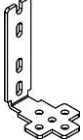


**Figure 1**

Continued on the next page >>



**Figure 2**

### Tools & Hardware Needed

		8393-0041 	8393-0042 	8540-1188 
Drill	Phillips #2 Bit or Robertson # 2	Top Corner Bracket	Intermediate Panel Connector	#10-24 X 1/4" RH Screw (4X)
8540-1008 				
#8 X 1-1/4" Flat Head Screw (2X)				

## 2-Way 90° Panel Connection – Type B

**Caution:** Do not use #8 X 1-1/4" Flat Head Screws and #8 X 1-1/2" Washer Head Screws on Glass or Acrylic Panels. Remove machine screws from the glass or acrylic frame and apply them to the connector bracket, (See **Machine Screws Removal from Glass or Acrylic panel**).

4. Position the panels to create a 90-degree angle and level them accordingly.
5. Securely fasten the bottom corner bracket into the panel legs with four M6 X 16MM Flat Machine Screws, (Figure 3).
6. Drive two #8 X 1-1/2" Washer Head Screws through the holes in the intermediate panel connector into the taller panel, (Figure 4).
7. Securely fasten the top cap with #10-24 X 1/4" Round Head Screw, (Figure 5).
8. Position the 90-degree filler connector at the desired location, (Figure 6).
9. Securely fasten the 90-degree filler connector to panels with four #8 X 1-1/2" Washer Head Screws.
10. Follow **Steps 8 and 9** above to install the remaining 90-degree filler connectors.

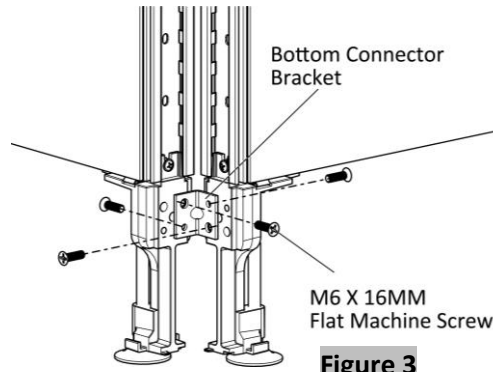


Figure 3

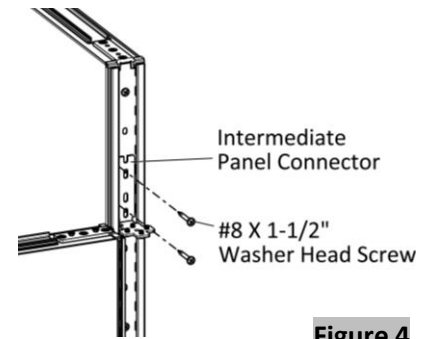


Figure 4

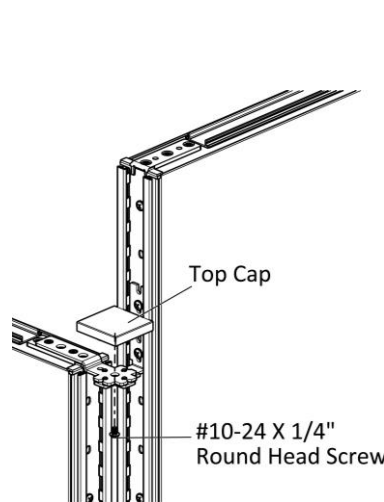


Figure 5

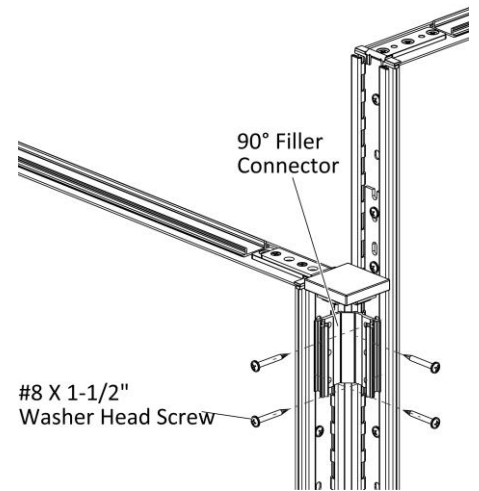
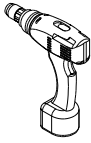
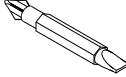
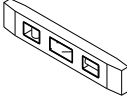

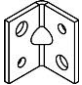
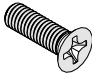
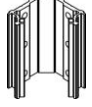

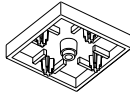



Figure 6

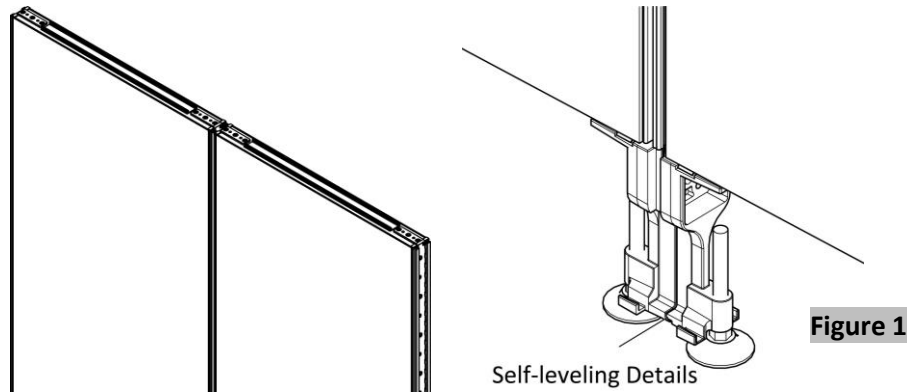
### Tools & Hardware Needed

			8540-1185 	8393-0044 
Drill	Phillips #2 & #3 Bit or Robertson #2	Torpedo Level	#8 X 1-1/2" Washer Head Screw (2X)	Bottom Corner Bracket
8540-1205 	8406-0033 	8540-1185 	8683-0040 	8540-1188 
M6 X 16MM Flat Machine Screw (4X)	90° Filler Connector 34 & 42 High Panels – 2X 50 & 66 High Panels – 3X	#8 X 1-1/2" Washer Head Screw 34 & 42 High Panels – 8X 50 & 66 High Panels – 12X	Top Cap	#10-24 X 1/4", RH Screw

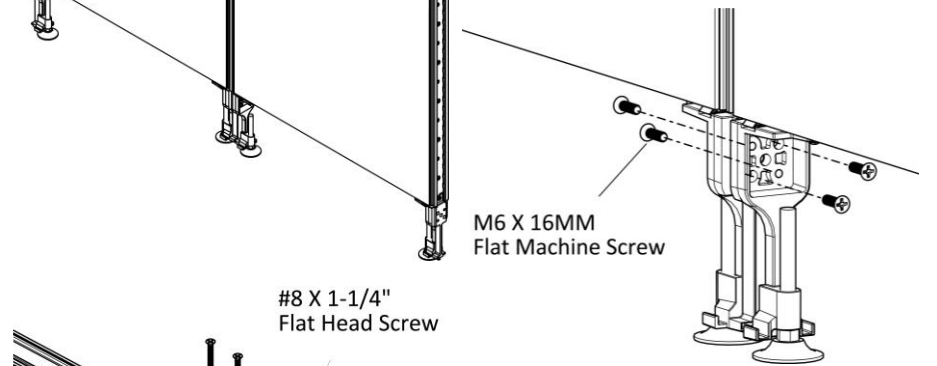
## 2-Way 180° Panel Connection – Type A

**Caution:** Do not use #8 X 1-1/4" Flat Head Screws and #8 X 1-1/2" Washer Head Screws on Glass or Acrylic Panels. Remove machine screws from the glass or acrylic frame and apply them to the connector bracket, (See **Machine Screws Removal from Glass or Acrylic panel**).

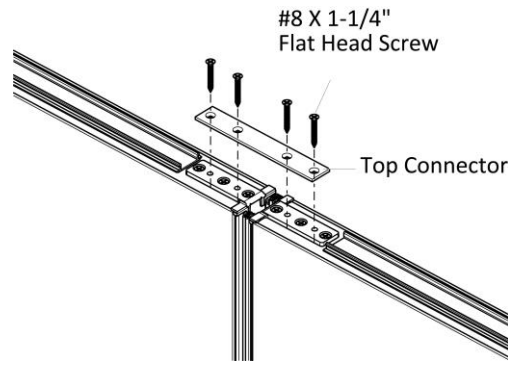
1. Engage the two-panel legs with the self-leveling details and level them accordingly, (Figure 1).
2. Securely fasten the panel legs with four M6 X 16MM Flat Machine Screws, (Figure 2).
3. Position the top connector (countersink face up) at the desired location, (Figure 3).
4. Drive four #8 X 1-1/4" Flat Head Screws through the holes in the top connector into the panels.



**Figure 1**

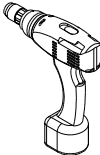
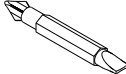
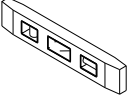
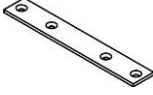




**Figure 2**



**Figure 3**

### Tools & Hardware Needed

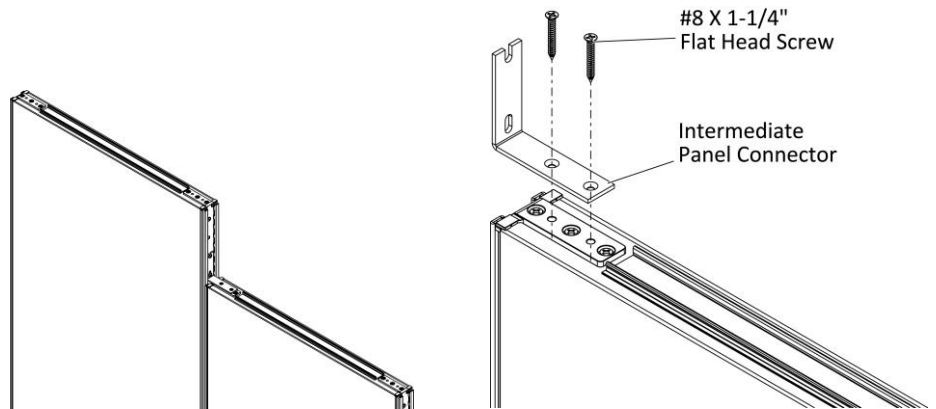
			8393-0040 	8540-1008 
Drill	Phillips #2 & #3 Bit or Robertson #2	Torpedo Level	Top Connector	#8 X 1-1/4", Flat Head Screw (4X)
8540-1205 				
M6 X 16MM Flat Machine Screw (4X)				

## 2-Way 180° Panel Connection – Type B

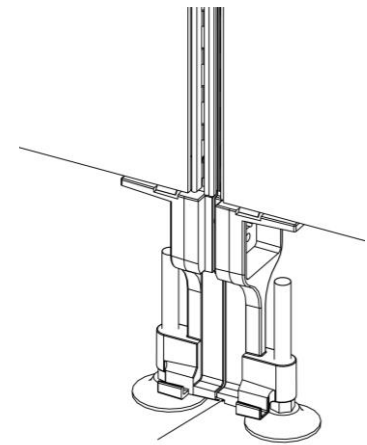
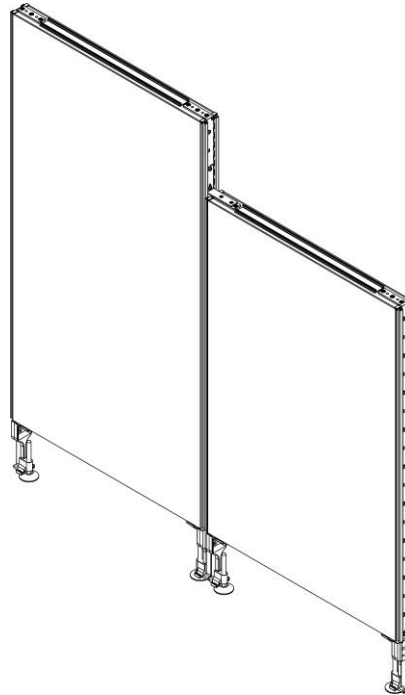
**Caution:** Do not use #8 X 1-1/4" Flat Head Screws and #8 X 1-1/2" Washer Head Screws on Glass or Acrylic Panels. Remove machine screws from the glass or acrylic frame and apply them to the connector bracket (See **Machine Screws Removal from Glass or Acrylic panel**).

1. Position the intermediate panel connector on the top edge of the shorter panel, (Figure 1).
2. Drive two #8 X 1-1/4" Flat Head Screws through the holes in the intermediate panel connector into the panel.
3. Engage the two panels with the self-leveling details and level them accordingly, (Figure 2).

Continued on the next page >>



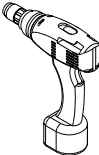
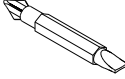
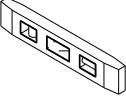


**Figure 1**



Self-leveling Details

**Figure 2**

### Tools & Hardware Needed

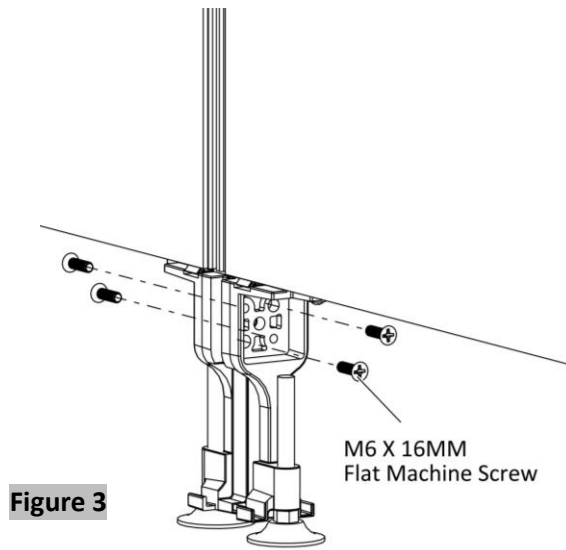
			8393-0050 	8540-1008 
Drill	Phillips #2 & #3 Bit or Robertson # 2	Torpedo Level	Intermediate Panel Connector	#8 X 1-1/4", Flat Head Screw (2X)



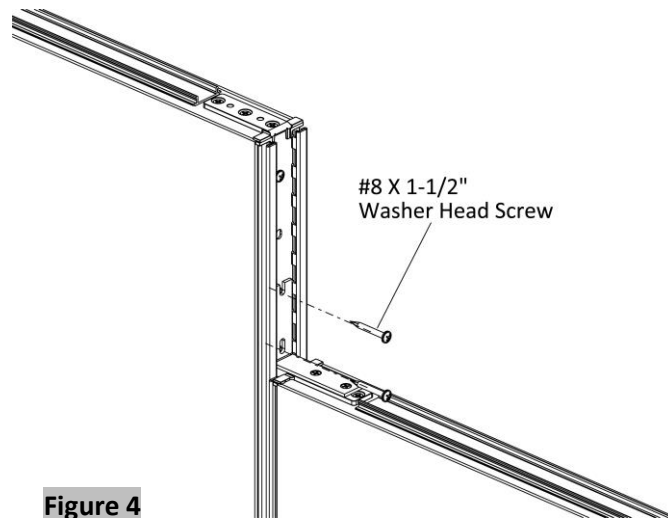
## 2-Way 180° Panel Connection – Type B

**Caution:** Do not use #8 X 1-1/4" Flat Head Screws and #8 X 1-1/2" Washer Head Screws on Glass or Acrylic Panels. Remove machine screws from the glass or acrylic frame and apply them to the connector bracket, (See **Machine Screws Removal from Glass or Acrylic panel**).

4. Securely fasten the panel legs with four M6 X 16MM Flat Machine Screws, (Figure 3).
5. Drive two #8 X 1-1/2" Washer Head Screws through the holes in the intermediate panel connector into the taller panel, (Figure 4).

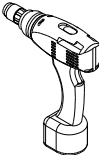
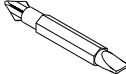

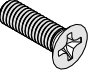


**Figure 3**



**Figure 4**

### Tools & Hardware Needed

		8540-1185 	8540-1205 	
Drill	Phillips #2 & #3 Bit or Robertson # 2	#8 X 1-1/2" Washer Head Screw (2X)	M6 X 16MM Flat Machine Screw (4X)	

# 3-Way Panel Connection – Type A

**Caution:** Do not use #8 X 1-1/4" Flat Head Screws and #8 X 1-1/2" Washer Head Screws on Glass or Acrylic Panels. Remove machine screws from the glass or acrylic frame and apply them to the connector bracket (See **Machine Screws Removal from Glass or Acrylic panel**).

1. Position two panels to create a 90-degree angle and level them accordingly.
2. Securely fasten the bottom corner bracket to the panel legs with four M6 X 16MM Flat Machine Screws, (Figure 1).
3. Position the "T" top connector with a cap on the top corner of the panels, (Figure 2).

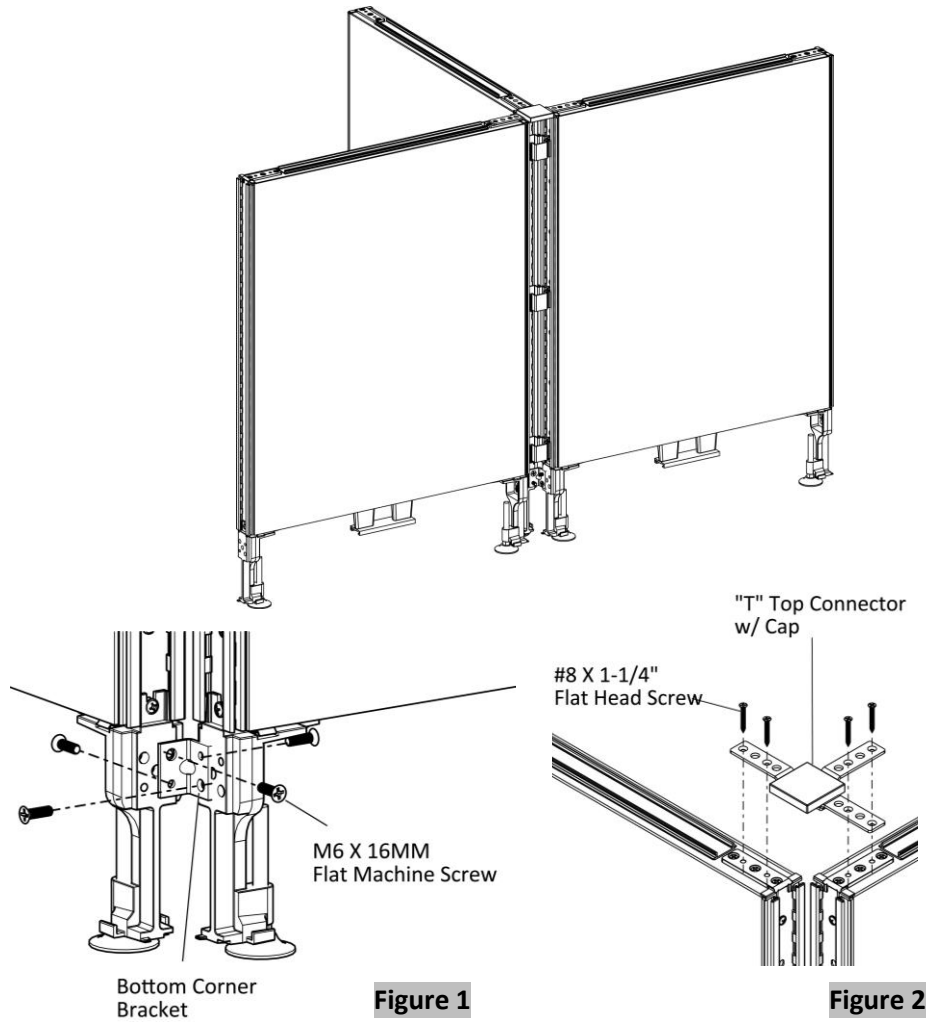
**Without Power Pole:**

Use the "T" top connector with the cap.

**With Power Pole:**

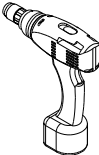
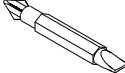
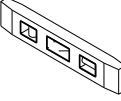
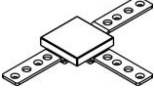

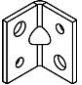
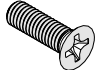
Use a 3-way power pole bracket, (See **3-Way Power Pole Installation**).

4. Drive four #8 x 1-1/4" Flat Head Screws through the holes in the "T" top connector with cap into the panels.



Continued on the next page >>

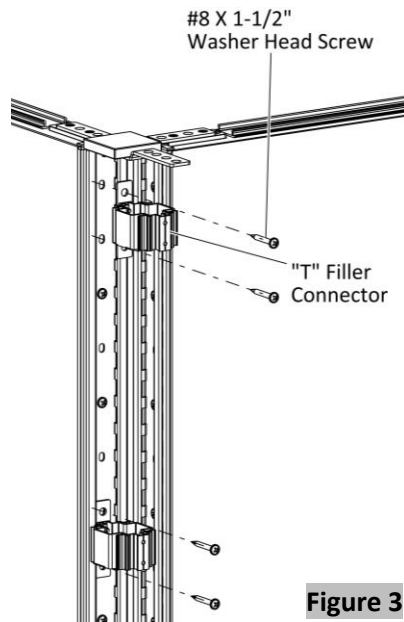
**Tools & Hardware Needed**

			8393-0045,8683-0040&8540-1188 	8540-1008 
Drill	Phillips #2 & #3 Bit or Robertson #2	Torpedo Level	"T" Top Connector with Cap	#8 X 1-1/4", Flat Head Screw (4X)
8393-0044 	8540-1205 			
Bottom Corner Bracket	M6 X 16MM Flat Machine Screw (4X)			

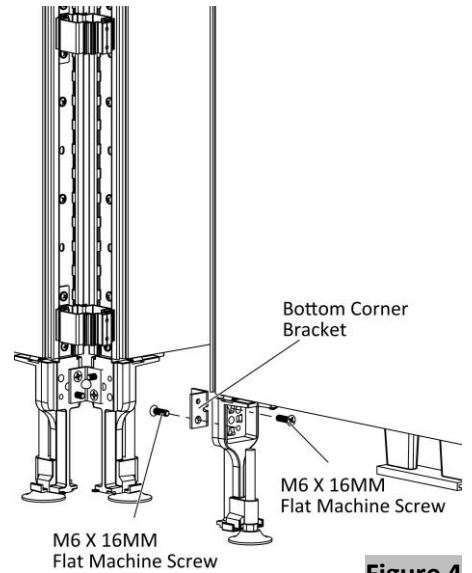
# 3-Way Panel Connection – Type A

**Caution:** Do not use #8 X 1-1/4" Flat Head Screws and #8 X 1-1/2" Washer Head Screws on Glass or Acrylic Panels. Remove machine screws from the glass or acrylic frame and apply them to the connector bracket, (See **Machine Screws Removal from Glass or Acrylic panel**).

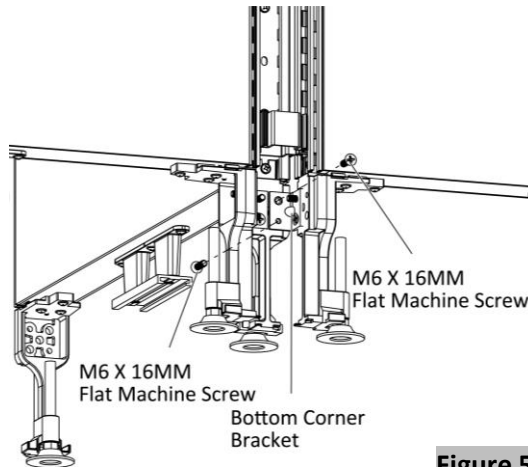
5. Position the "T" filler connector at the desired location, (Figure 3).
6. Securely fasten the "T" filler connector to panels with two #8 X 1-1/2" Washer Head Screws.
7. Follow **Steps 5 and 6** above to install the remaining "T" filler connectors.
8. Securely fasten the corner bracket of the third panel with two M6 X 16MM, Flat Machine Screws, (Figure 4).
9. Position the third panel with the bottom corner bracket installed to create a 3-way panel connection and level it accordingly.
10. Secure the base with two M6 X 16MM Flat Machine Screws, (Figure 5).
11. Drive two #8 X 1-1/4" Flat Head Screws through the holes in the "T" top connector into the panel, (Figure 6).



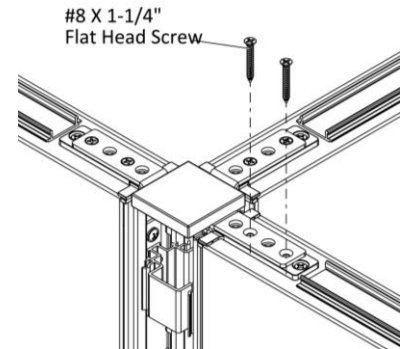
**Figure 3**



**Figure 4**

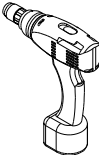
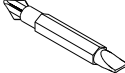
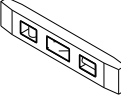



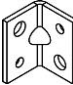
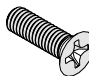


**Figure 5**



**Figure 6**

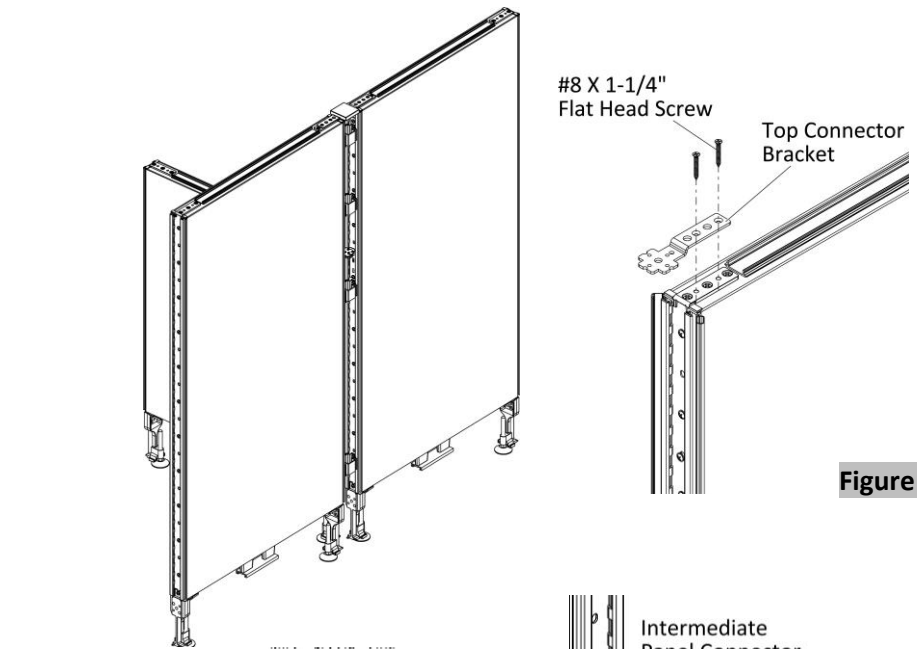
## Tools & Hardware Needed

			8406-0034  34 & 42 High Panels – 2X 50 & 66 High Panels – 3X	8540-1185  34 & 42 High Panels – 4X 50 & 66 High Panels – 6X
Drill	Phillips #2 & #3 Bit or Robertson #2	Torpedo Level	"T" Filler Connector	#8 X 1-1/2" Washer Head Screw
8540-1008 	8393-0044 	8540-1205 		
#8 X 1-1/4", Flat Head Screw (2X)	Bottom Corner Bracket	M6 X 16MM Flat Machine Screw (4X)		

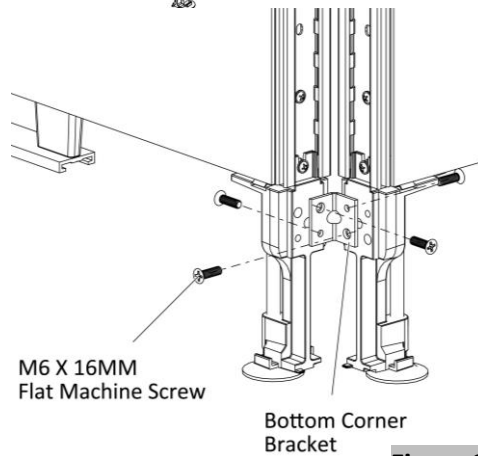
# 3-Way Panel Connection – Type B

**Caution:** Do not use #8 X 1-1/4" Flat Head Screws and #8 X 1-1/2" Washer Head Screws on Glass or Acrylic Panels. Remove machine screws from the glass or acrylic frame and apply them to the connector bracket, (**See Machine Screws Removal from Glass or Acrylic panel**).

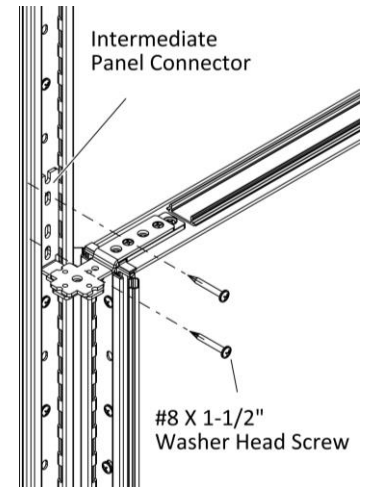
1. Position the top connector bracket on the top edge corner of the shorter panel, (Figure 1).
2. Drive two #8 X 1-1/4" Flat Head Screws through the holes in the top connector bracket into the frame.
3. Position the tall panel and the shorter panel to create a 90-degree angle.
4. Level the panels accordingly.
5. Securely fasten the bottom corner bracket to the panel legs with four M6 X 16MM Flat Machine Screws, (Figure 2).
6. Position the intermediate panel connector at the desired location, (Figure 3).
7. Securely fasten the intermediate panel connector to the taller panel with two #8 x 1-1/2" Washer Head Screws.



**Figure 1**



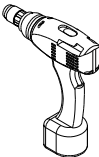
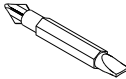
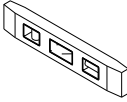
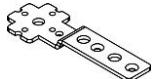

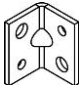
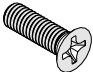
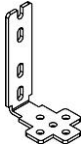

**Figure 2**



**Figure 3**

Continued on the next page >>

## Tools & Hardware Needed

			8393-0041 	8540-1008 
Drill	Phillips #2 & #3 Bit or Robertson #2	Torpedo Level	Top Corner Bracket	#8 X 1-1/4", Flat Head Screw (2X)
8393-0044 	8540-1205 	8393-0042 	8540-1185 	
Bottom Corner Bracket	M6 X 16MM Flat Machine Screw (4X)	Intermediate Panel Connector	#8 X 1-1/2" Washer Head Screw (2X)	

# 3-Way Panel Connection – Type B

**Caution:** Do not use #8 X 1-1/4" Flat Head Screws and #8 X 1-1/2" Washer Head Screws on Glass or Acrylic Panels. Remove machine screws from the glass or acrylic frame and apply them to the connector bracket, (See **Machine Screws Removal from Glass or Acrylic panel**).

8. Position the third panel to create a 3-way panel connection and level it accordingly to determine the location of the intermediate panel connector, (Figure 4).
9. Securely fasten the intermediate panel connector into the third panel with two #8 X 1-1/2" Washer Head Screws, (Figure 5).
10. Securely fasten the bottom corner bracket to the panel leg of the third panel with two M6 X 16MM Flat Machine Screws then set the panel aside, (Figure 6).
11. Position the "T" filler connector at the desired location, (Figure 7).
12. Securely fasten the "T" filler connector to the panel with two #8 X 1-1/2" Washer Head Screws.
13. Follow **Steps 11 and 12** above to install the remaining "T" filler connectors.

Continued on the next page >>

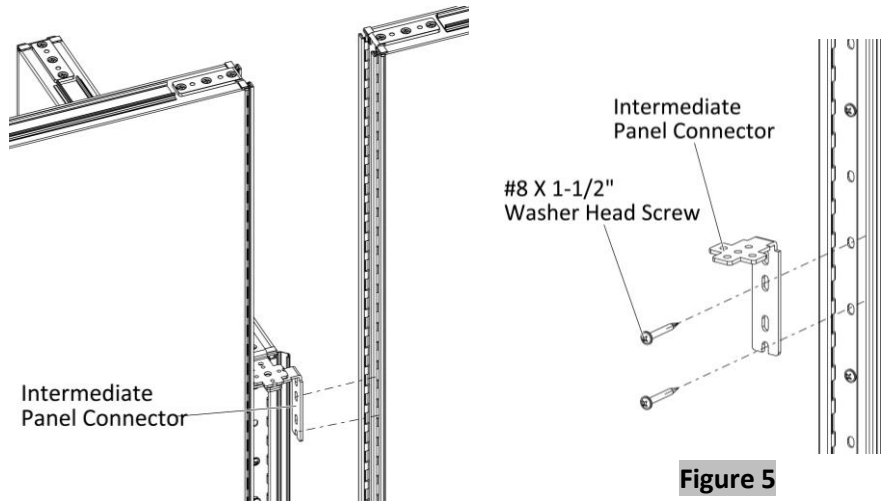


Figure 4

Figure 5

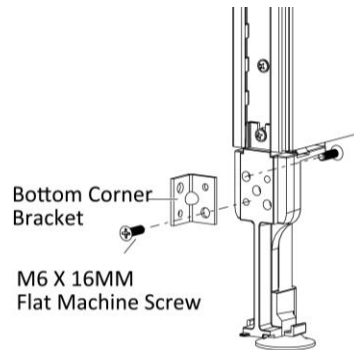


Figure 6

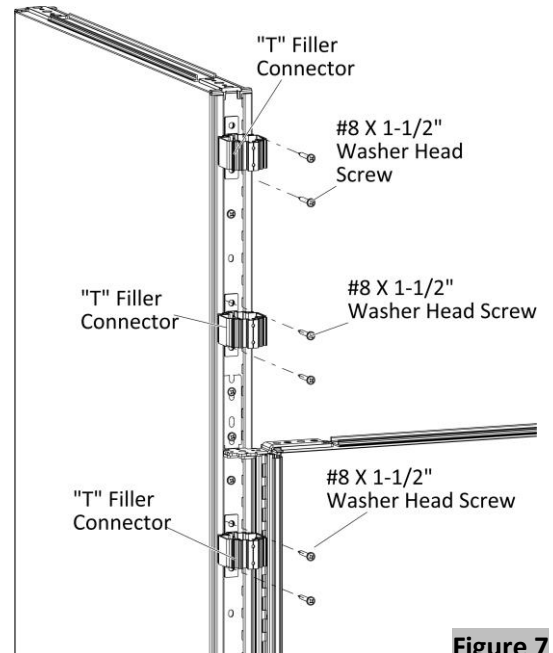
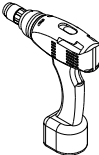
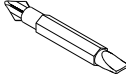
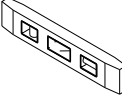
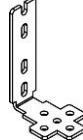

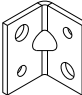

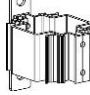



Figure 7

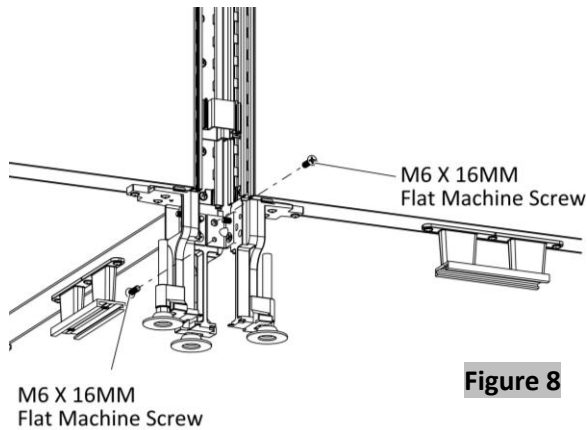
## Tools & Hardware Needed

			8393-0042 	8540-1185 
Drill	Phillips #2 & #3 Bit or Robertson #2	Torpedo Level	Intermediate Panel Connector	#8 X 1-1/2" Washer Head Screw (2X)
8393-0044 	8540-1205 	8406-0034 	8540-1185 	
Bottom Corner Bracket	M6 X 16MM Flat Machine Screw (2X)	"T" Filler Connector	#8 X 1-1/2" Washer Head Screw	

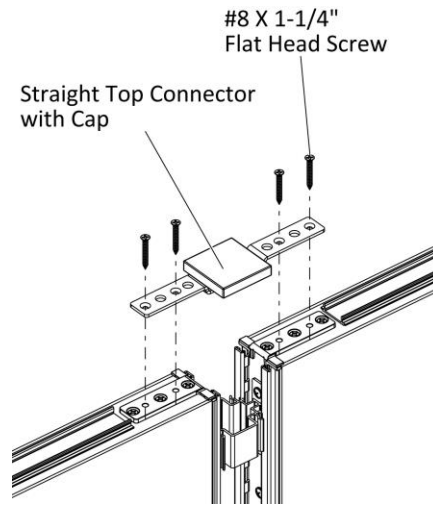
# 3-Way Panel Connection – Type B

**Caution:** Do not use #8 X 1-1/4" Flat Head Screws and #8 X 1-1/2" Washer Head Screws on Glass or Acrylic Panels. Remove machine screws from the glass or acrylic frame and apply them to the connector bracket, (See **Machine Screws Removal from Glass or Acrylic panel**).

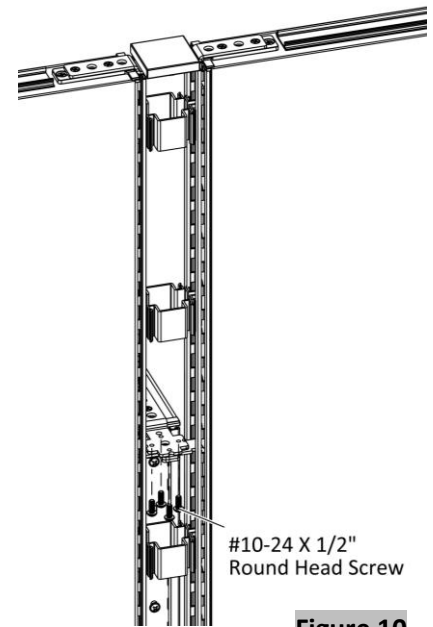
- 14.** Position the third panel with the intermediate panel connector and corner bracket installed to create a 3-way panel connection. Level it accordingly.
- 15.** Secure the base with two M6 X 16MM Flat Machine Screws, (Figure 8).
- 16.** Securely fasten the straight top connector with cap into the panels with four #8 X 1-1/4" Flat Head Screws, (Figure 9).
- 17.** Securely fasten the connectors with four #10-24 X 1/2" Round Head Phillip Machine Screws, (Figure 10).



**Figure 8**


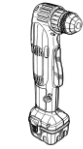
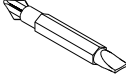

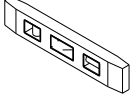
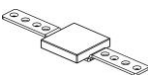


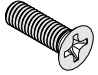


**Figure 9**



**Figure 10**

## Tools & Hardware Needed

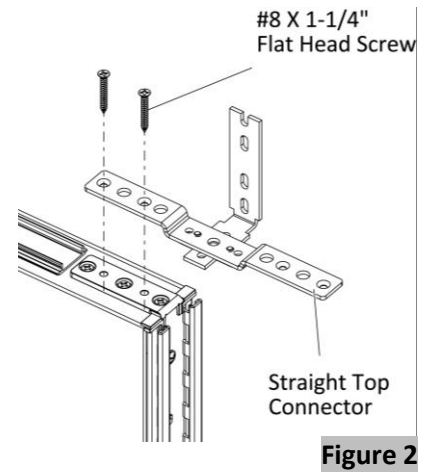
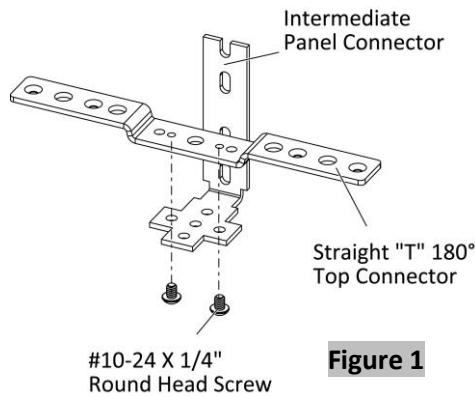
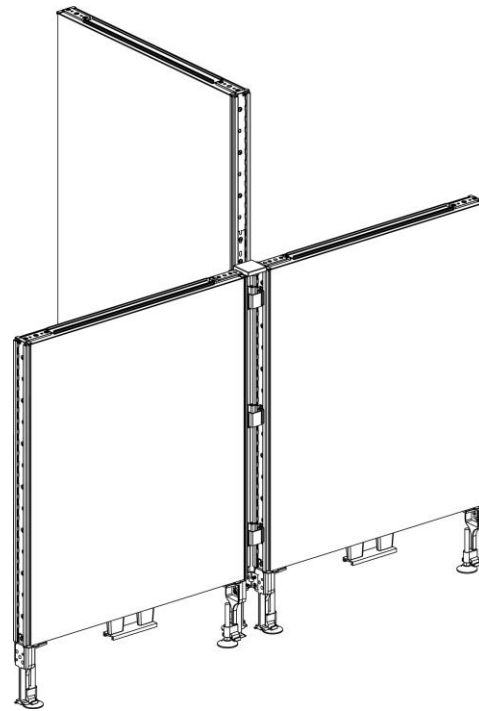
				
Drill	90° Angle Drill	Phillips #2 & #3 Bit or Robertson #2	Robertson #2 Bit	Torpedo Level
8393-0047, 8540-1188 & 8683-0040	8540-1008	8540-1017	8540-1205	
				
Straight Top Connector	#8 X 1-1/4", Flat Head Screw (4X)	#10-24 X 1/2", RH Screw (4X)	M6 X 16MM Flat Machine Screw (2X)	

# 3-Way Panel Connection – Type C

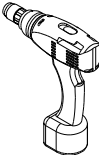
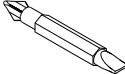

**Caution:** Do not use #8 X 1-1/4" Flat Head Screws and #8 X 1-1/2" Washer Head Screws on Glass or Acrylic Panels. Remove machine screws from the glass or acrylic frame and apply them to the connector bracket, (See **Machine Screws Removal from Glass or Acrylic panel**).

1. Securely fasten the intermediate panel connector to the straight top connector with two #10-24 X 1/4" Round Head Screws, (Figure 1).
2. Position the assembled connectors on the top edge of the shorter panel, (Figure 2).
3. Drive two #8 X 1-1/4" Flat Head Screws through the holes in the straight top connector into the panel.

Continued on the next page >>



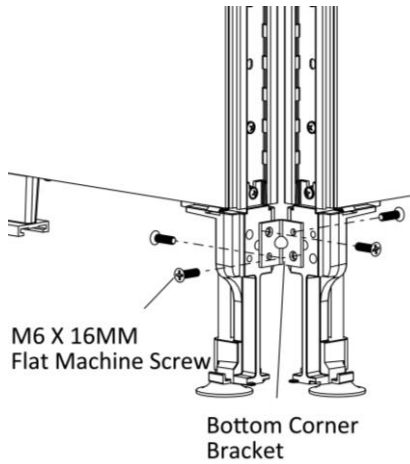
## Tools & Hardware Needed

		8393-0047	8393-0042	8540-1188
Drill	Phillips #2 & #3 Bit or Robertson #2	Straight "T" 180° Top Connector	Intermediate Panel Connector	#10-24 X 1/4", RH Screw (2X)
8540-1008				
#8 X 1-1/4", Flat Head Screw (2X)				

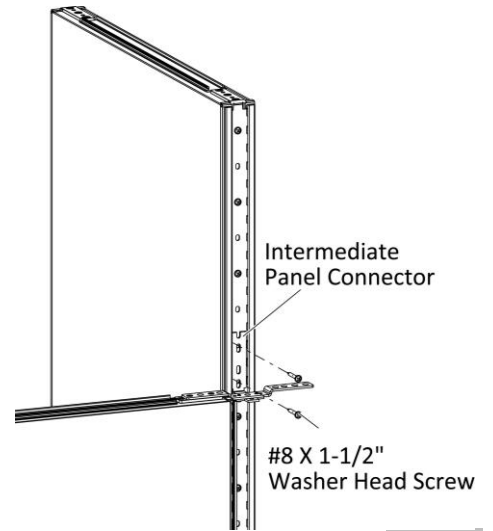
# 3-Way Panel Connection – Type C

**Caution:** Do not use #8 X 1-1/4" Flat Head Screws and #8 X 1-1/2" Washer Head Screws on Glass or Acrylic Panels. Remove machine screws from the glass or acrylic frame and apply them to the connector bracket, (See **Machine Screws Removal from Glass or Acrylic panel**).

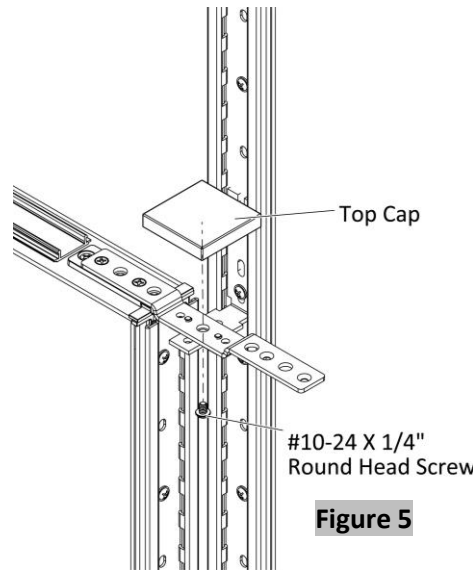
4. Position the taller panel and the short panel with connectors installed to create a 90-degree angle.
5. Level the panels accordingly.
6. Securely fasten the bottom corner bracket to the panel legs with four M6 X 16MM Flat Machine Screws, (Figure 3).
7. Drive two #8 X 1-1/2" Washer Head Screws through the holes in the intermediate panel connector into the taller panel, (Figure 4).
8. Position and securely fasten the top cap into the connectors with #10-24 X 1/4" Round Head Screw, (Figure 5).
9. Position the "T" filler connector at the desired location, (Figure 6).
10. Securely fasten the "T" filler connector with two #8 X 1-1/2" Washer Head Screws into the shorter panel.
11. Follow **Steps 9 and 10** above to install the remaining "T" filler connectors.



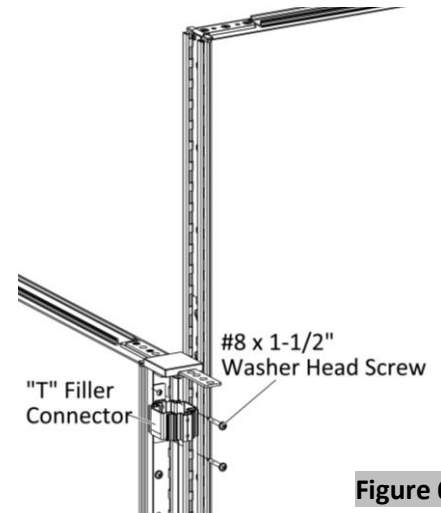
**Figure 3**



**Figure 4**



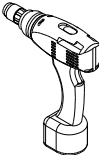
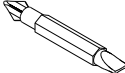
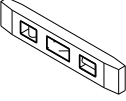

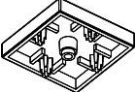

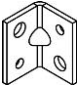
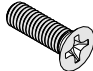
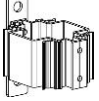

**Figure 5**



**Figure 6**

Continued on the next page >>

## Tools & Hardware Needed

			8540-1185 	8683-0040 
Drill	Phillips #2 & #3 Bit or Robertson #2	Torpedo Level	#8 X 1-1/2" Washer Head Screw (2X)	Universal Top Cap
8540-1188 	8393-0044 	8540-1205 	8406-0034  34 & 42 High Panels – 2X 50 & 66 High Panels – 3X	8540-1185  34 & 42 High Panels – 4X 50 & 66 High Panels – 6X
#10-24 X 1/4", RH Screw	Bottom Corner Bracket	M6 X 16MM Flat Machine Screw (4X)	"T" Filler Connector	#8 X 1-1/2" Washer Head Screw



# 3-Way Panel Connection – Type C

**Caution:** Do not use #8 X 1-1/4" Flat Head Screws and #8 X 1-1/2" Washer Head Screws on Glass or Acrylic Panels. Remove machine screws from the glass or acrylic frame and apply them to the connector bracket, (See **Machine Screws Removal from Glass or Acrylic panel**).

- 12.** Securely fasten the bottom corner bracket into the panel leg of the other short panel with two M6 X 16MM Flat Machine Screws, (Figure 7).
- 13.** Position the other short panel to create a 3-way panel connection and level it accordingly.
- 14.** Secure the base with two M6 X 16MM Flat Machine Screws, (Figure 8).
- 15.** Drive two #8 X 1-1/4" Flat Head Screws through the holes in holes in straight top connector into the third panel, (Figure 9).

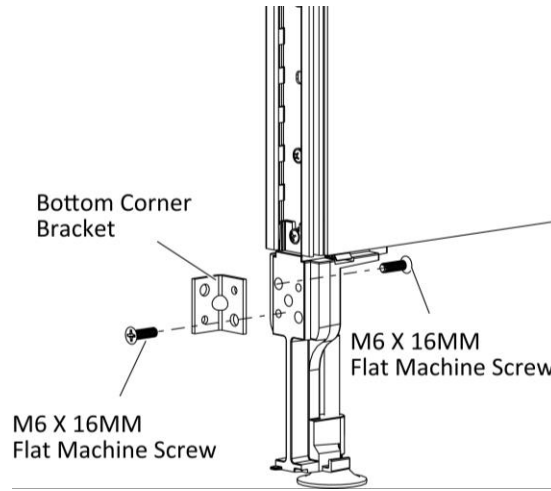


Figure 7

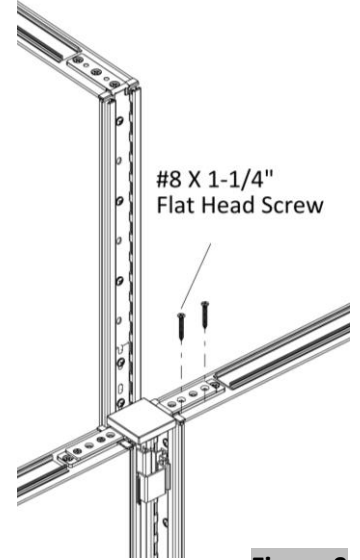


Figure 9

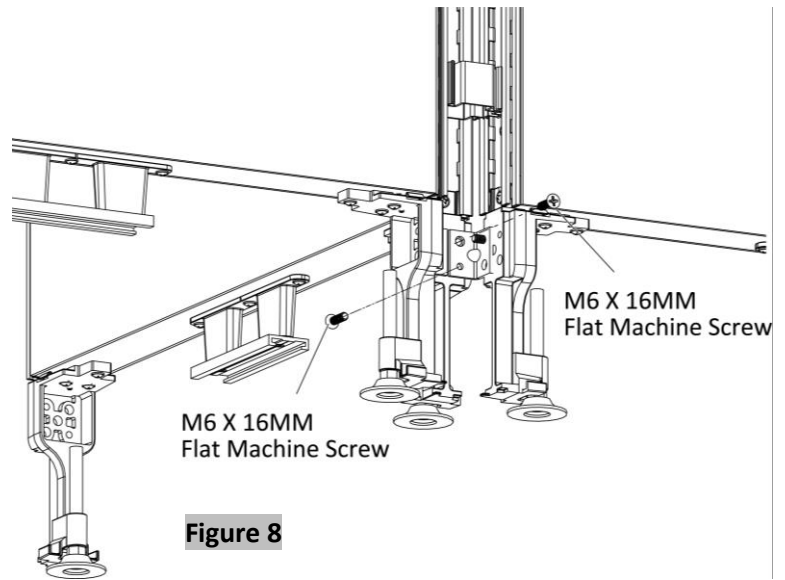
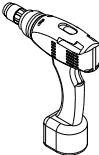
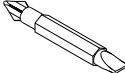
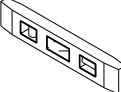
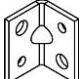
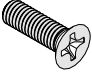



Figure 8

### Tools & Hardware Needed

			8393-0044 	8540-1205 
Drill	Phillips #2 & #3 Bit or Robertson # 2	Torpedo Level	Bottom Corner Bracket	M6 X 16MM Flat Machine Screw (4X)
8540-1008 				
#8 X 1-1/4", Flat Head Screw (2X)				

# 3-Way Panel Connection – Type D

**Caution:** Do not use #8 X 1-1/4" Flat Head Screws and #8 X 1-1/2" Washer Head Screws on Glass or Acrylic Panels. Remove machine screws from the glass or acrylic frame and apply them to the connector bracket, (See **Machine Screws Removal from Glass or Acrylic panel**).

1. Securely fasten the top connector bracket to the intermediate panel connector with four #10-24 X 1/4" Round Head Screws, (Figure 1).
2. Position the assembled connectors on the top edge of the shorter panel, (Figure 2).
3. Drive two #8 X 1-1/4" Flat Head Screws through the holes in the top connector bracket into the panel.

Continued on the next page >>

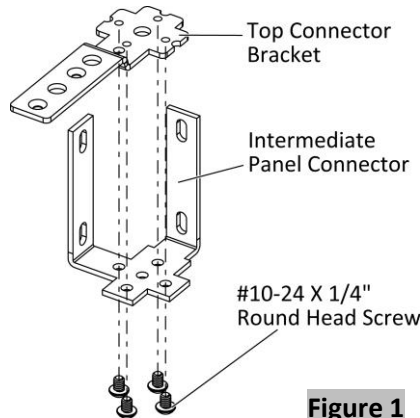
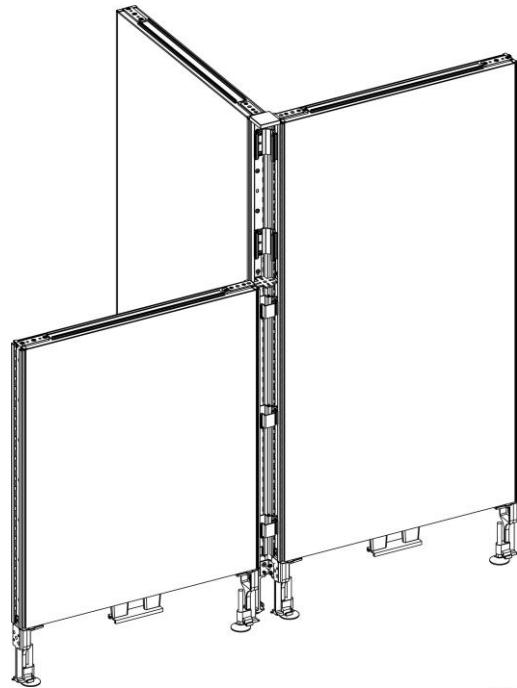


Figure 1

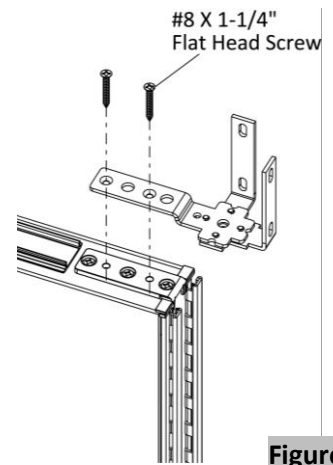
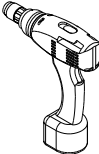
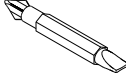
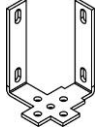
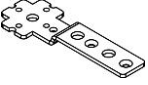




Figure 2

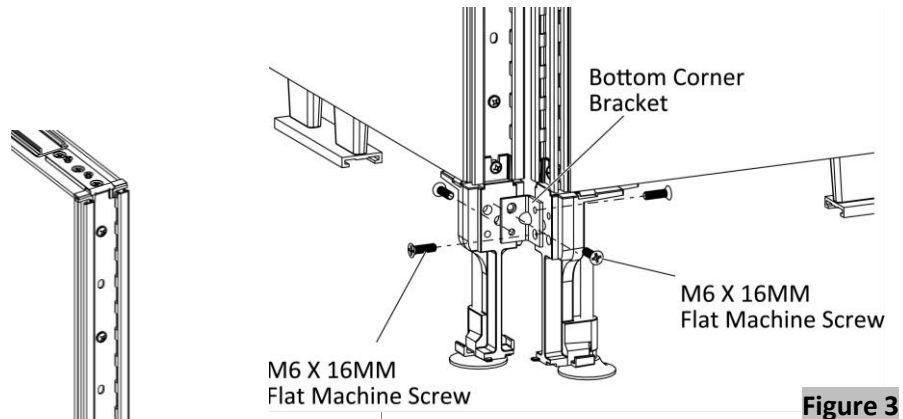
### Tools & Hardware Needed

		8393-0043 	8393-0041 	8540-1188 
Drill	Phillips #2 & #3 Bit or Robertson # 2	Intermediate Panel Connector	Top Corner Bracket	#10-24 X 1/4", RH Screw (4X)
8540-1008 				
#8 X 1-1/4", Flat Head Screw (2X)				

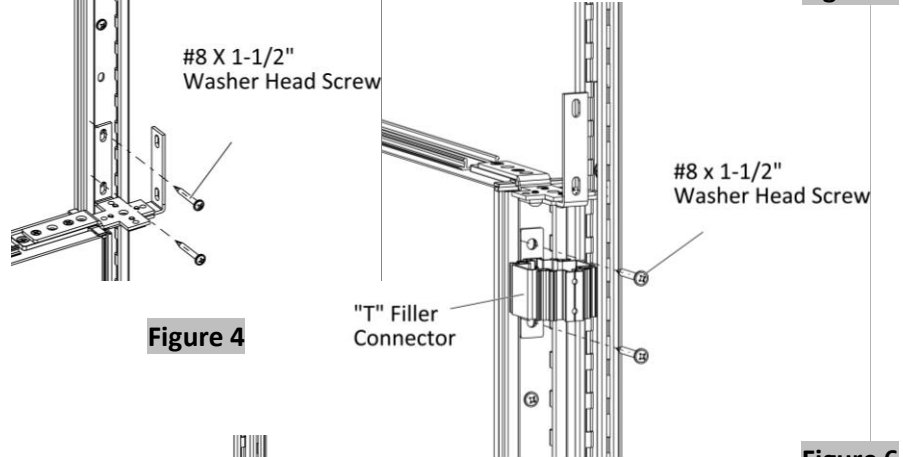
# 3-Way Panel Connection – Type D

**Caution:** Do not use #8 X 1-1/4" Flat Head Screws and #8 X 1-1/2" Washer Head Screws on Glass or Acrylic Panels. Remove machine screws from the glass or acrylic frame and apply them to the connector bracket, (See **Machine Screws Removal from Glass or Acrylic panel**).

4. Position one of the tall panels and the shorter panel with connectors installed to create a 90-degree angle. Level them accordingly.
5. Securely fasten the bottom corner bracket to the panel legs with four M6 X 16MM Flat Machine Screws, (Figure 3).
6. Drive two #8 X 1-1/2" Washer Head Screws through the holes in the intermediate panel connector into the taller panel, (Figure 4).
7. Securely fasten the bottom corner bracket to the panel leg of the third panel with two M6 X 16MM Flat Machine Screws, (Figure 5).
8. Set aside the third panel with the bottom corner bracket installed.
9. Position the "T" filler connector at the desired location, (Figure 6).
10. Securely fasten the "T" filler connector with two #8 x 1-1/2" Washer Head Screws.
11. Follow **Steps 9 and 10** above to install the remaining "T" filler connectors.

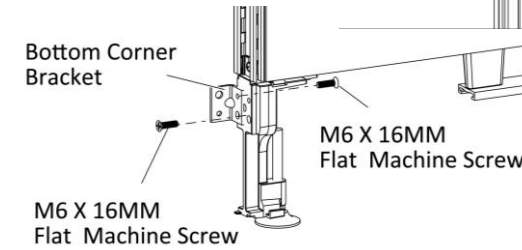


**Figure 3**



**Figure 4**

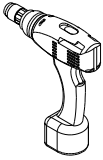
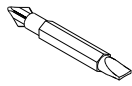
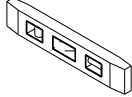

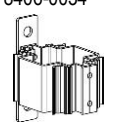

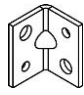

**Figure 6**



**Figure 5**

Continued on the next page >>

## Tools & Hardware Needed

			8540-1185 	8406-0034  34 & 42 High Panels – 2X 50 & 66 High Panels – 3X
Drill	Phillips #2 & #3 Bit or Robertson #2	Torpedo Level	#8 X 1-1/2" Washer Head Screw (2X)	"T" Filler Connector
8540-1185 	8393-0044 	8540-1205 		
#8 X 1-1/2" Washer Head Screw	Bottom Corner Bracket (2X)	M6 X 16MM Flat Machine Screw (6X)		

# 3-Way Panel Connection – Type D

**Caution:** Do not use #8 X 1-1/4" Flat Head Screws and #8 X 1-1/2" Washer Head Screws on Glass or Acrylic Panels. Remove machine screws from the glass or acrylic frame and apply them to the connector bracket, (See **Machine Screws Removal from Glass or Acrylic panel**).

- 12.** Position the third panel with the bottom corner bracket installed to create a 3-way panel connection and level it accordingly.
- 13.** Secure the base with two M6 X 16MM Flat Machine Screws, (Figure 7).
- 14.** Position the 90-degree top connector with a cap on the top corner of the panel which is to be connected, (Figure 8).
- 15.** Drive four #8 x 1-1/4" Flat Head Screws through the holes in the 90-degree top connector into the panels.
- 16.** Drive two #8 x 1-1/2" Washer Head Screws through the holes in the intermediate panel connector into the third panel, (Figure 9).
- 17.** Position the 90-degree connector at the desired location, (Figure 10).
- 18.** Securely fasten the 90-degree connector with four #8 x 1-1/2" Washer Head Screws.
- 19.** Follow **Steps 17 and 18** above to install the remaining 90-degree connectors.

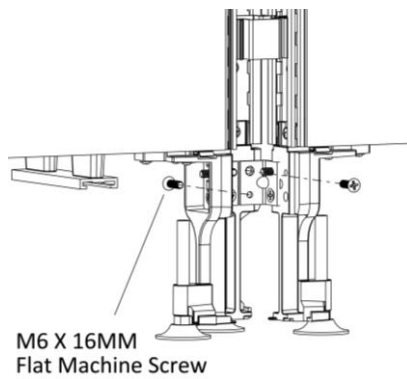


Figure 7

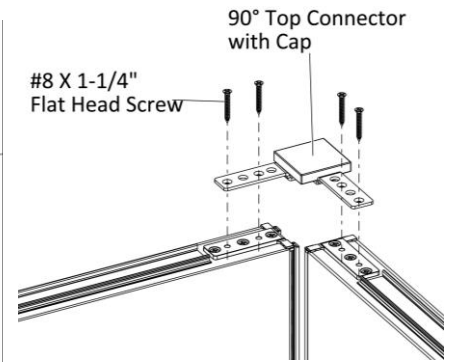


Figure 8

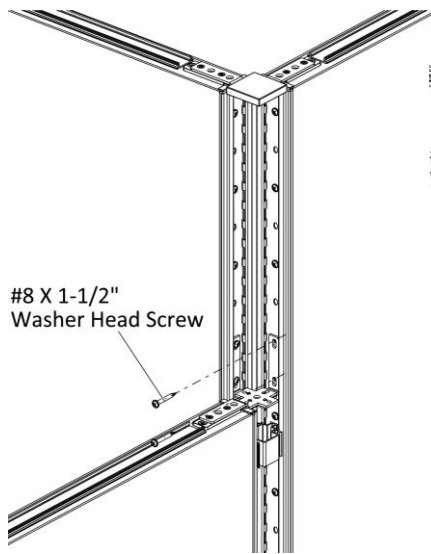


Figure 9

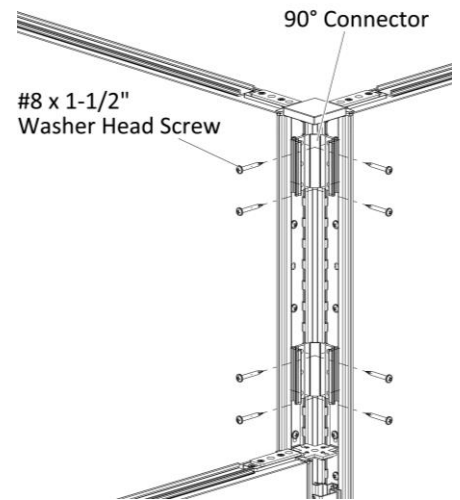
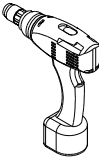
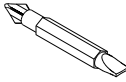
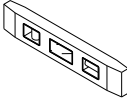
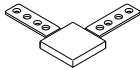

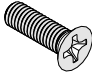

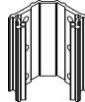



Figure 10

## Tools & Hardware Needed

			8393-0046, 8540-1188 & 8683-0040 	8540-1008 
Drill	Phillips #2 & #3 Bit or Robertson # 2	Torpedo Level	90° Top Connector with Top Cap	#8 X 1-1/4", Flat Head Screw (4X)
8540-1205 	8540-1185 	8406-0033  08 & 16 High Filler- 1X 24 & 32 High Filler- 2X	8540-1185  08 & 16 High Filler- 4X 24 & 32 High Filler- 8X	
M6 X 16MM Flat Machine Screw (2X)	#8 X 1-1/2" Washer Head Screw (2X)	90° Filler Connector	#8 X 1-1/2" Washer Head Screw	

# 4-Way Panel Connection – Type A

**Caution:** Do not use #8 X 1-1/4" Flat Head Screws and #8 X 1-1/2" Washer Head Screws on Glass or Acrylic Panels. Remove machine screws from the glass or acrylic frame and apply them to the connector bracket (See **Machine Screws Removal from Glass or Acrylic panel**).

1. Position two panels to create a 90-degree angle and level them accordingly.
2. Securely fasten the bottom corner bracket to the panel legs with four M6 X 16MM Flat Machine Screws, (Figure 1).
3. Position the 4-way top connector with a cap on the top corner of the panels, (Figure 2).

**Without Power Pole:**

Use a 4-way top connector with a cap.

**With Power Pole:**

Use a 4-way power pole bracket, (See **4-Way Power Pole Installation**).

4. Drive four #8 X 1-1/4" Flat Head Screws through the holes in the 4-way top connector into the panels.

Continued on the next page >>

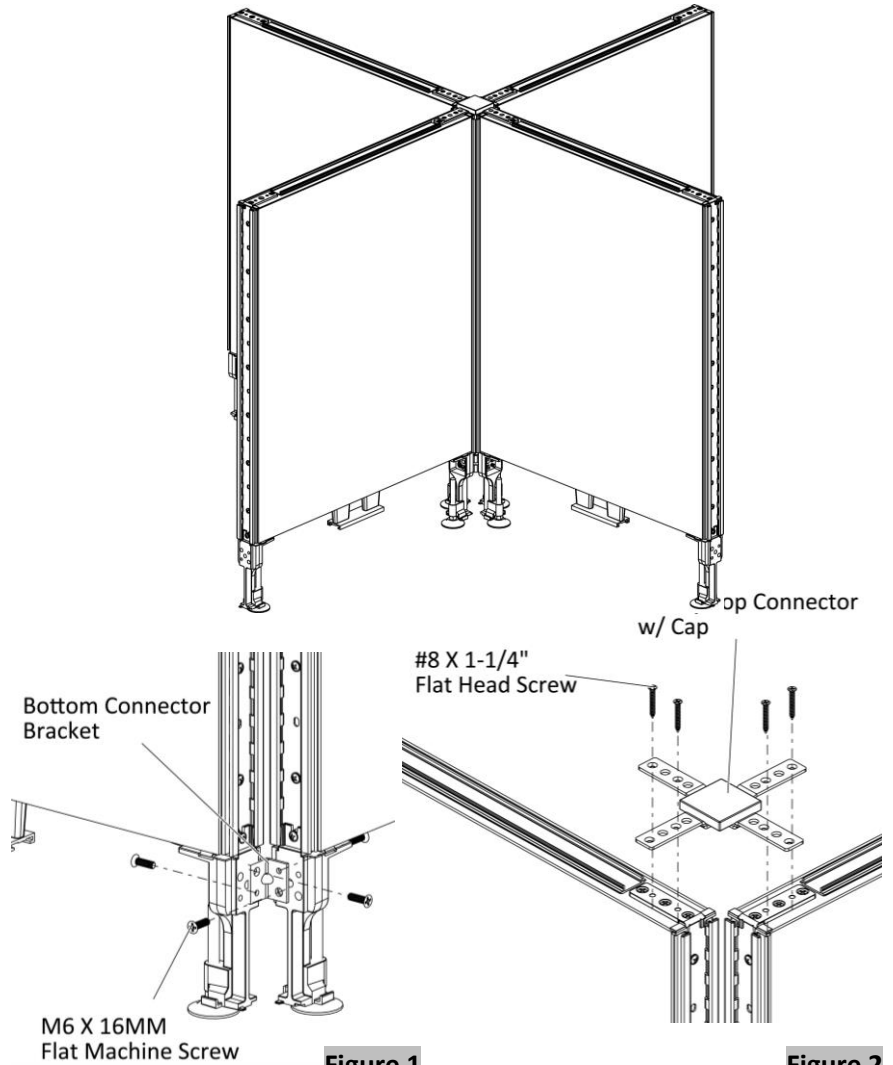
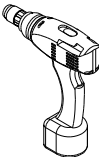
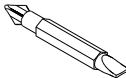
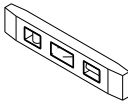
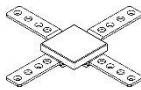

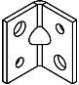
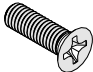


Figure 1

Figure 2

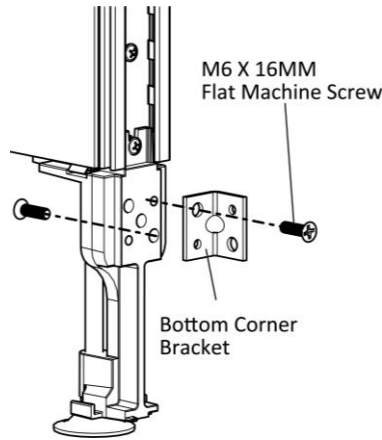
**Tools & Hardware Needed**

			8393-0048, 8683-0040, & 8540-1188 	8540-1008 
Drill	Phillips #2 & #3 Bit or Robertson # 2	Torpedo Level	4-Way Top Connector w/ Cap	#8 X 1-1/4", Flat Head Screw (4X)
8393-0044 	8540-1205 			
Bottom Corner Bracket	M6 X 16MM Flat Machine Screw (4X)			

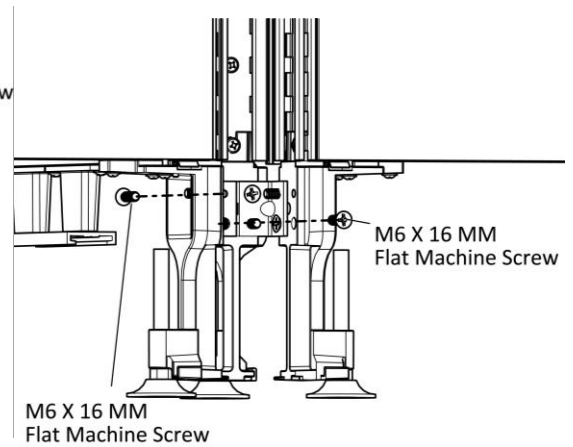
# 4-Way Panel Connection – Type A

**Caution:** Do not use #8 X 1-1/4" Flat Head Screws and #8 X 1-1/2" Washer Head Screws on Glass or Acrylic Panels. Remove machine screws from the glass or acrylic frame and apply them to the connector bracket (See **Machine Screws Removal from Glass or Acrylic panel**).

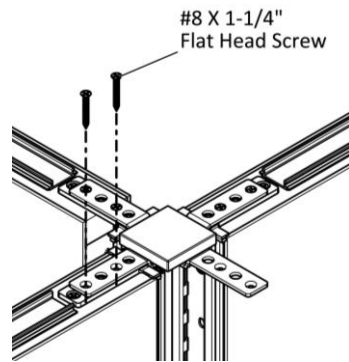
5. Position and securely fasten the bottom corner bracket into the panel leg of the third panel with two M6 X 16MM Flat Machine Screws, (Figure 3).
6. Position the third panel with the bottom corner bracket installed to create a 3-way panel connection and level it accordingly.
7. Secure the base with two M6 X 16MM Flat Machine Screws, (Figure 4).
8. Drive two #8 x 1-1/4" Flat Head Screws the holes in the 4-way top connector into the panel, (Figure 5).
9. Install two bottom corner brackets of the fourth panel by securely fastening them to the panel leg with M6 X 16MM Flat Machine Screws, (Figure 6).



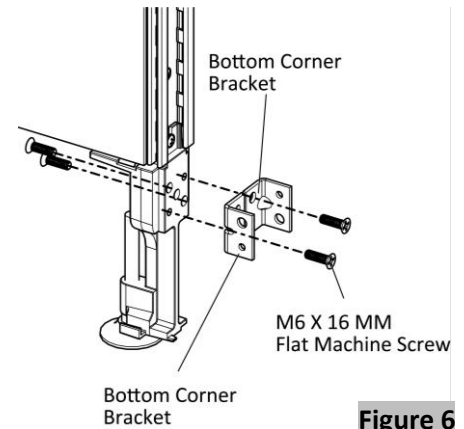
**Figure 3**



**Figure 4**



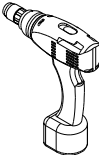
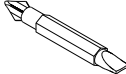
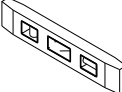

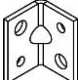

**Figure 5**



**Figure 6**

Continued on the next page >>

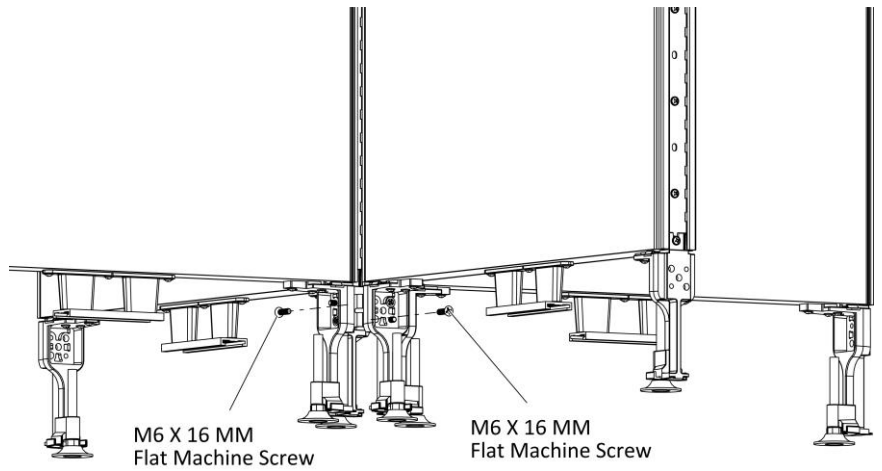
## Tools & Hardware Needed

			8540-1008 	8393-0044 
Drill	Phillips #2 & #3 Bit or Robertson # 2	Torpedo Level	#8 X 1-1/4", Flat Head Screw (2X)	Bottom Corner Bracket (3X)
8540-1205 				
M6 X 16MM Flat Machine Screw (8X)				

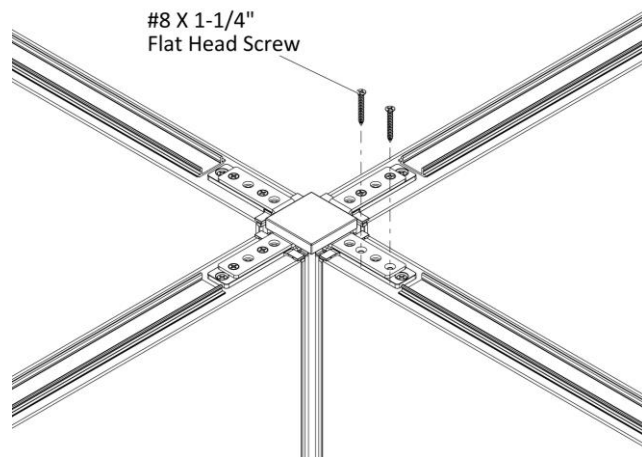
# 4-Way Panel Connection – Type A

**Caution:** Do not use #8 X 1-1/4" Flat Head Screws and #8 X 1-1/2" Washer Head Screws on Glass or Acrylic Panels. Remove machine screws from the glass or acrylic frame and apply them to the connector bracket (See **Machine Screws Removal from Glass or Acrylic panel**).

- 10.** Position the fourth panel with two bottom corner brackets installed to create a 4-way panel connection and level it accordingly.
- 11.** Secure the base with two M6 X 16MM Flat Machine Screws, (Figure 7).
- 12.** Drive two #8 X 1-1/4" Flat Head Screws through the holes in the 4-way top connector into the fourth panel, (Figure 8).

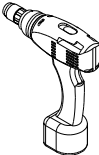
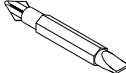
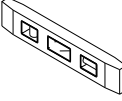

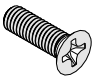


**Figure 7**



**Figure 8**

### Tools & Hardware Needed

			8540-1008 	8540-1205 
Drill	Phillips #2 & #3 Bit or Robertson #2	Torpedo Level	#8 X 1-1/4", Flat Head Screw (2X)	M6 X 16MM Flat Machine Screw (2X)

# 4-Way Panel Connection – Type B

**Caution:** Do not use #8 X 1-1/4" Flat Head Screws and #8 X 1-1/2" Washer Head Screws on Glass or Acrylic Panels. Remove machine screws from the glass or acrylic frame and apply them to the connector bracket, (See **Machine Screws Removal from Glass or Acrylic panel**).

1. Securely fasten the intermediate panel connector to the top connector bracket with four #10-24 X 1/4" Round Head Screws, (Figure 1).
2. Position the assembled connectors on the top edge of the shorter panel, (Figure 2).
3. Drive two #8 X 1-1/4" Flat Head Screws through the holes in the top connector bracket into the top edge of the shorter panel.

Continued on the next page >>

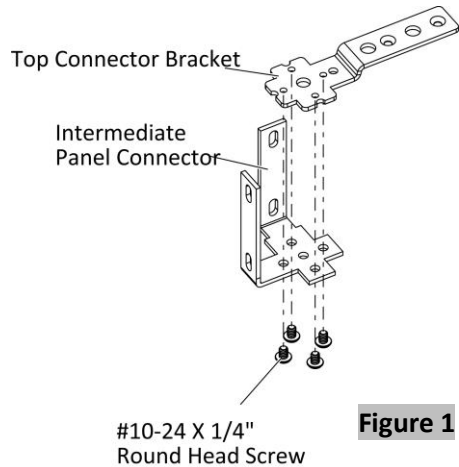
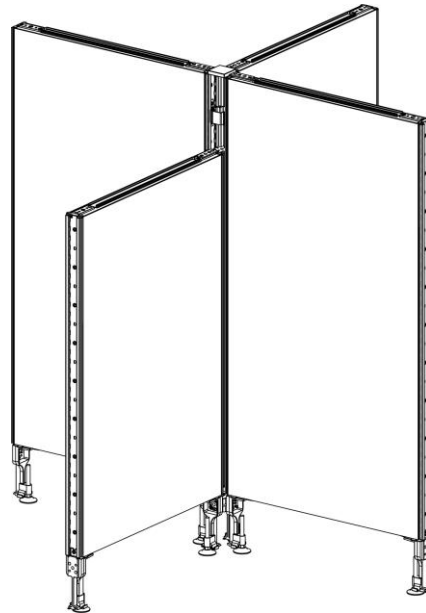


Figure 1

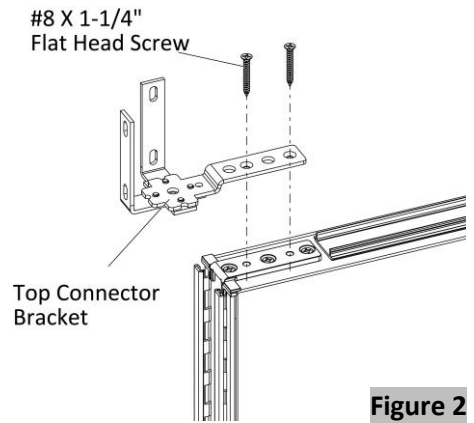
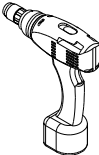
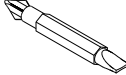
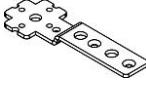
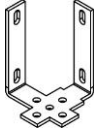




Figure 2

## Tools & Hardware Needed

		8393-0041 	8393-0043 	8540-1188 
Drill	Phillips #2 & #3 Bit or Robertson #2	Top Corner Bracket	Intermediate Panel Connector	#10-24 X 1/4", RH Screw (4X)
8540-1008 				
#8 X 1-1/4", Flat Head Screw (2X)				



# 4-Way Panel Connection – Type B

**Caution:** Do not use #8 X 1-1/4" Flat Head Screws and #8 X 1-1/2" Washer Head Screws on Glass or Acrylic Panels. Remove machine screws from the glass or acrylic frame and apply them to the connector bracket, (See **Machine Screws Removal from Glass or Acrylic panel**).

4. Position one of the tall panels and shorter panels with connectors installed to create a 90-degree angle.
5. Level the panels accordingly.
6. Securely fasten the bottom corner bracket to the panel legs with four M6 X 16MM Flat Machine Screws, (Figure 3).
7. Drive two #8 X 1-1/2" Washer Head Screws through the holes in the intermediate panel connector into the taller panel, (Figure 4).
8. Position the bottom corner bracket to the third corner and securely fasten it to the panel leg with two M6 X 16MM Flat Machine Screws, (Figure 5).
9. Position the third panel to create a 3-way panel connection and level it accordingly.
10. Secure the base with two M6 X 16MM Flat Machine Screws, (Figure 6).

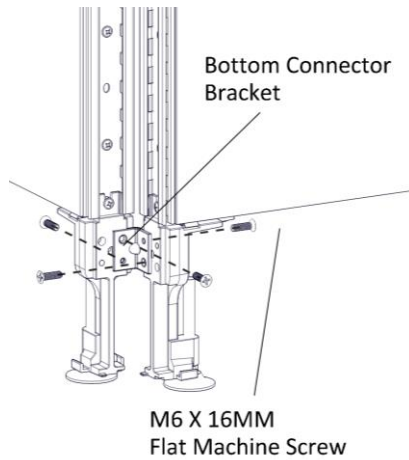


Figure 3

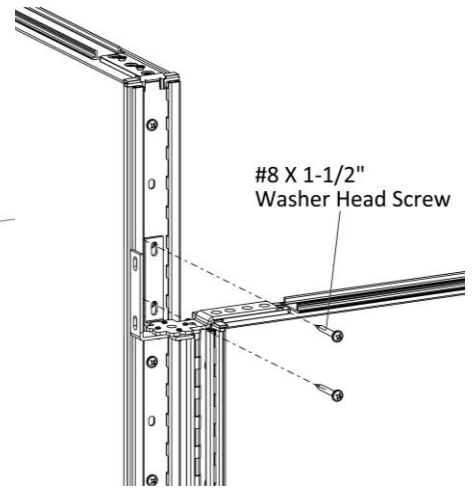


Figure 4

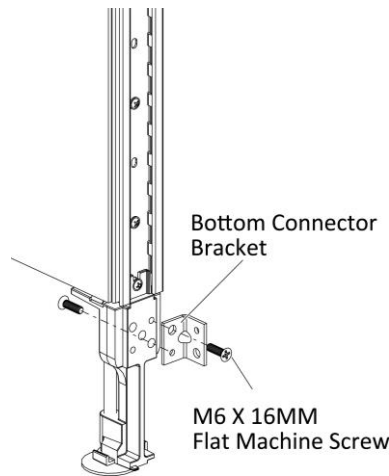


Figure 5

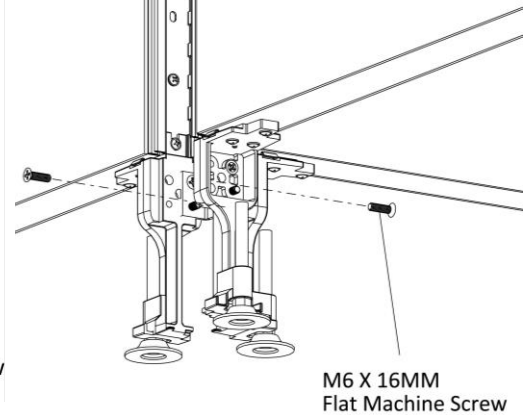
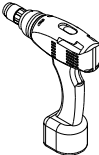
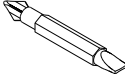
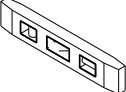

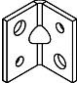
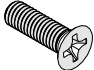


Figure 6

Continued on the next page >>

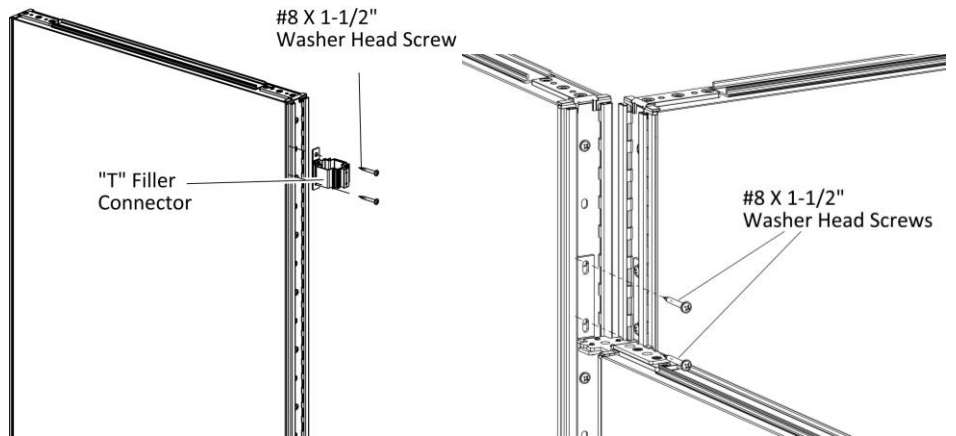
## Tools & Hardware Needed

			8540-1185 	8393-0044 
Drill	Phillips #2 & #3 Bit or Robertson #2	Torpedo Level	#8 X 1-1/2" Washer Head Screw (2X)	Bottom Corner Bracket (2X)
8540-1205 				
M6 X 16MM Flat Machine Screw (8X)				

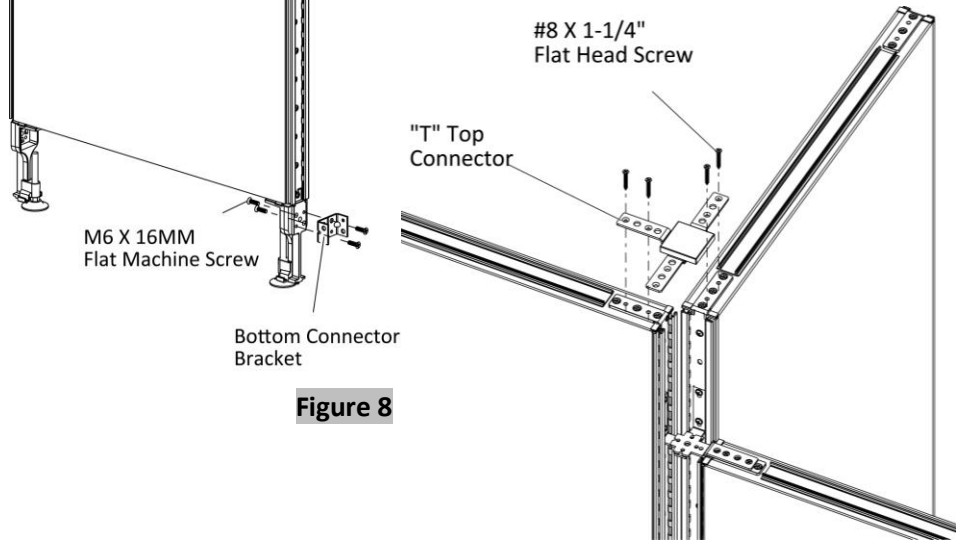
# 4-Way Panel Connection – Type B

**Caution:** Do not use #8 X 1-1/4" Flat Head Screws and #8 X 1-1/2" Washer Head Screws on Glass or Acrylic Panels. Remove machine screws from the glass or acrylic frame and apply them to the connector bracket, (See **Machine Screws Removal from Glass or Acrylic panel**).

- 11.** Drive two #8 X 1-1/2" Washer Head Screws through the holes in the intermediate panel connector into the taller panel, (Figure 7).
- 12.** Position the "T" filler connector at the desired location of the fourth panel, (Figure 8).
- 13.** Drive two #8 X 1-1/2" Washer Head Screws through the holes in the "T" filler connector into the fourth panel.
- 14.** Follow **Steps 11 and 12** above to install the remaining "T" filler connectors.
- 15.** Install the two bottom corner brackets to the panel leg of the fourth panel with M6 X 16MM Flat Machine Screws, (Figure 8).
- 16.** Position the "T" top connector at the desired location, (Figure 9).
- 17.** Drive four #8 X 1-1/4" Flat Head Screws through the holes in the "T" top connector into the panels.



**Figure 7**

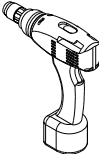
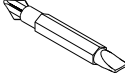
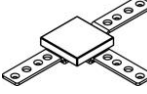
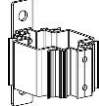

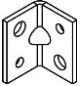
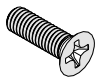




**Figure 8**

**Figure 9**

Continued on the next page >>

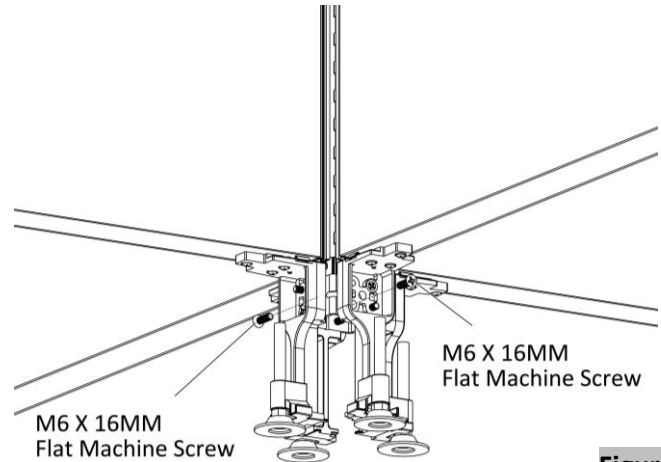
## Tools & Hardware Needed

		8393-0045,8683-0040&8540-1188 	8406-0034  34 & 42 High Panels – 1X 50 & 66 High Panels – 2X	8540-1185  08 & 16 High Filler– 2X 24 & 32 High Filler– 4X
Drill	Phillips #2 & #3 Bit or Robertson #2	"T" Top Connector w/ Cap	"T" Filler Connector	#8 X 1-1/2" Washer Head Screw
8393-0044 	8540-1205 	8540-1008 	8540-1185 	
Bottom Corner Bracket (2X)	M6 X 16MM Flat Machine Screw (4X)	#8 X 1-1/4", Flat Head Screw (4X)	#8 X 1-1/2" Washer Head Screw (2X)	

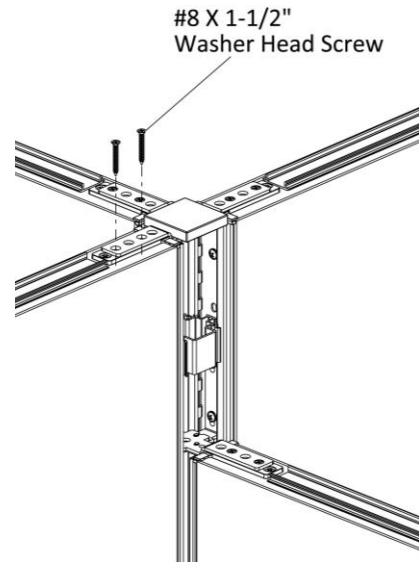
# 4-Way Panel Connection – Type B

**Caution:** Do not use #8 X 1-1/4" Flat Head Screws and #8 X 1-1/2" Washer Head Screws on Glass or Acrylic Panels. Remove machine screws from the glass or acrylic frame and apply them to the connector bracket, (See **Machine Screws Removal from Glass or Acrylic panel**).

- 18.** Position the fourth panel to create 4-way panel connections and level it accordingly.
- 19.** Secure the base with two M6 X 16MM Flat Machine Screws, (Figure 10).
- 20.** Drive two #8 X 1-1/4" Flat Head Screws through the holes in the "T" filler connector into the fourth panel, (Figure 11).

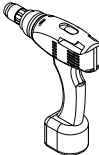
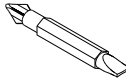

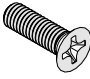


**Figure 10**



**Figure 11**

### Tools & Hardware Needed

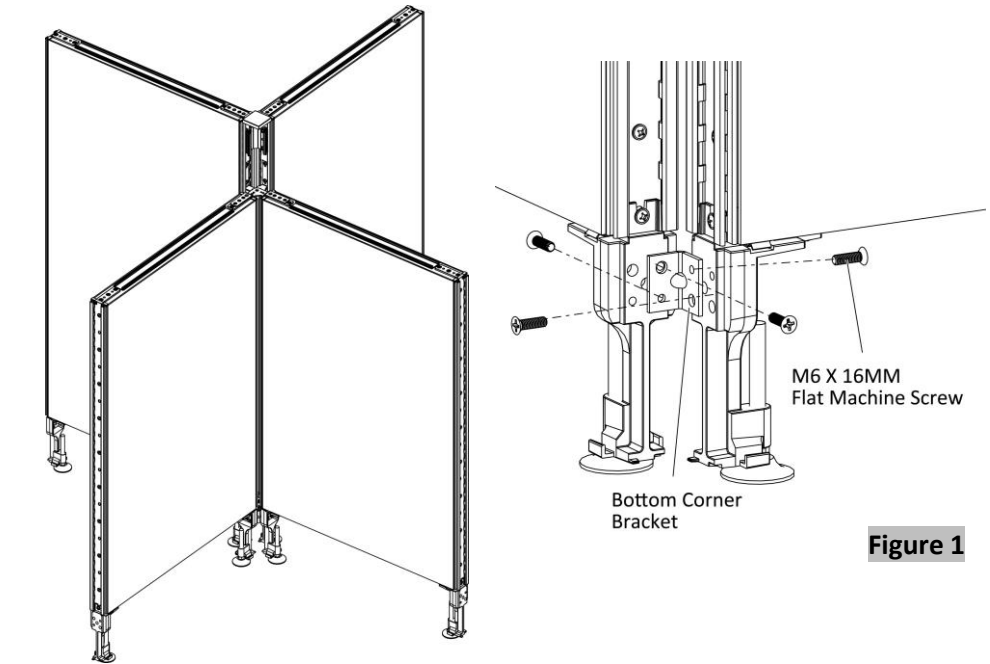
		8540-1008 	8540-1205 	
Drill	Phillips #2 & #3 Bit or Robertson # 2	#8 X 1-1/4", Flat Head Screw (2X)	M6 X 16MM Flat Machine Screw (2X)	

# 4-Way Panel Connection – Type C

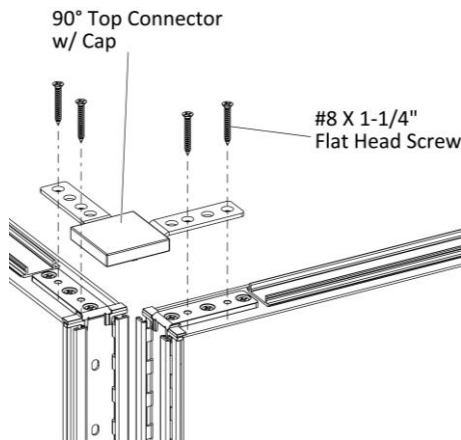
**Caution:** Do not use #8 X 1-1/4" Flat Head Screws and #8 X 1-1/2" Washer Head Screws on Glass or Acrylic Panels. Remove machine screws from the glass or acrylic frame and apply them to the connector bracket, (See Machine Screws Removal from Glass or Acrylic panel).

1. Position the tall panels to create a 90-degree angle and level them accordingly.
2. Securely fasten the bottom corner bracket to the panel legs with four M6 X 16MM Flat Machine Screws, (Figure 1).
3. Position the 90-degree top connector with a cap at the top corner of the two panels.
4. Drive four #8 X 1-1/4" Flat Head Screws through the holes in the 90-degree top connector into the panels, (Figure 2).
5. Securely fasten the intermediate panel connector to the 90-degree top connector with two #10-24 X 1/4" Round Head Screws, (Figure 3).

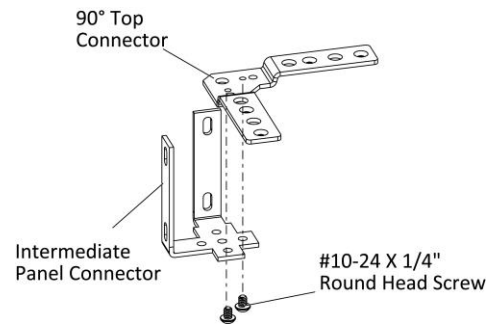
Continued on the next page >>



**Figure 1**

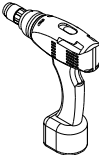
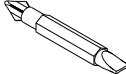
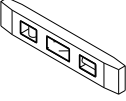
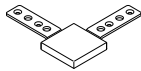

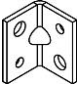
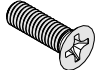
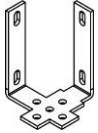
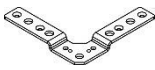



**Figure 2**



**Figure 3**

## Tools & Hardware Needed

			8393-0046, 8540-1188 & 8683-0040 	8540-1008 
Drill	Phillips #2 & #3 Bit or Robertson #2	Torpedo Level	90° Top Connector with Top Cap	#8 X 1-1/4", Flat Head Screw (4X)
8393-0044 	8540-1205 	8393-0043 	8393-0046 	8540-1188 
Bottom Corner Bracket	M6 X 16MM Flat Machine Screw (4X)	Intermediate Panel Connector	90° Top Connector	#10-24 X 1/4", RH Screw (2X)

# 4-Way Panel Connection – Type C

**Caution:** Do not use #8 X 1-1/4" Flat Head Screws and #8 X 1-1/2" Washer Head Screws on Glass or Acrylic Panels. Remove machine screws from the glass or acrylic frame and apply them to the connector bracket, (See **Machine Screws Removal from Glass or Acrylic panel**).

6. Position the assembled connectors on the top edge of one of the short panels, (Figure 4).
7. Drive two #8 X 1-1/4" Flat Head Screws through the holes in the 90-degree top connector into the shorter panel.
8. Securely fasten the bottom corner bracket to the panel leg with two M6 X 16MM Flat Machine Screws, (Figure 5).
9. Position the panel to create 3-way panel connections and level it accordingly.
10. Secure the base with two M6 X 16MM Flat Machine Screws, (Figure 6).
11. Drive four #8 X 1-1/2" Washer Head Screws through the holes in the intermediate panel connector into the panels, (Figure 7).

Continued on the next page >>

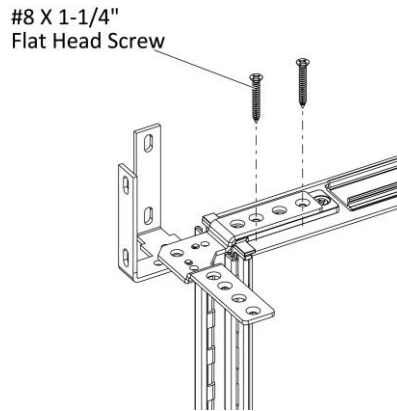


Figure 4

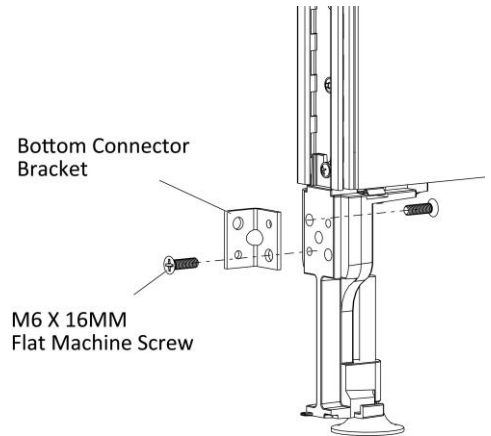


Figure 5

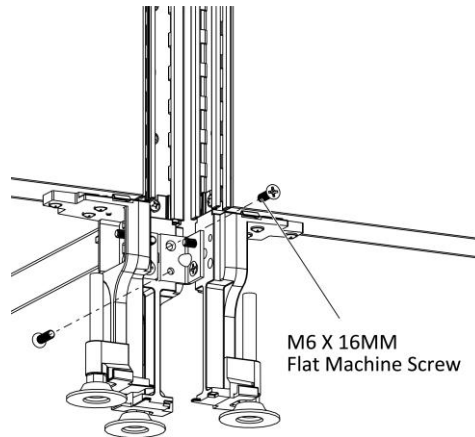


Figure 6

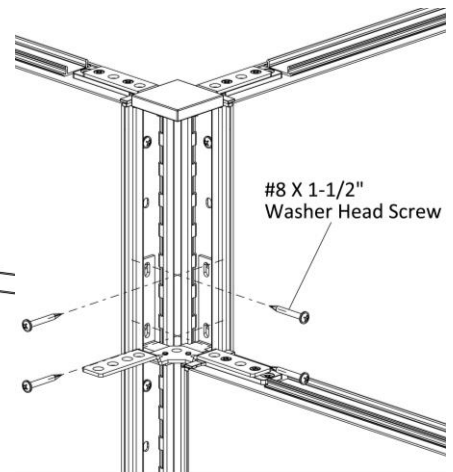
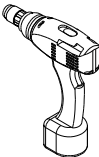
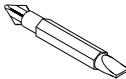
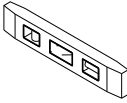




Figure 7

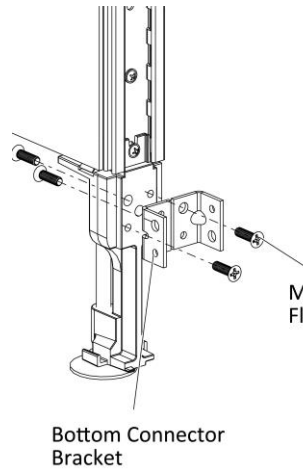
## Tools & Hardware Needed

			8540-1008	8393-0044
Drill	Phillips #2 & #3 Bit or Robertson #2	Torpedo Level	#8 X 1-1/4", Flat Head Screw (2X)	Bottom Corner Bracket
8540-1205	8540-1185			
				
M6 X 16MM Flat Machine Screw (4X)	#8 X 1-1/2" Washer Head Screw (4X)			

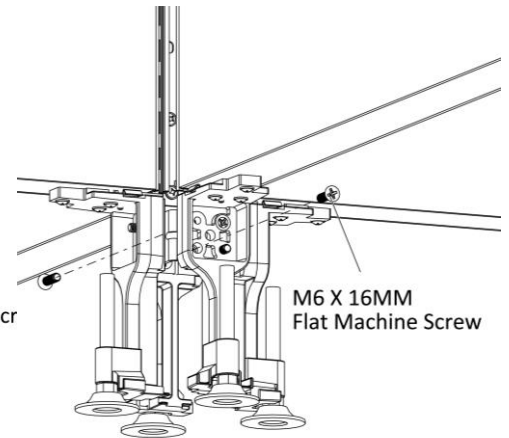
# 4-Way Panel Connection – Type C

**Caution:** Do not use #8 X 1-1/4" Flat Head Screws and #8 X 1-1/2" Washer Head Screws on Glass or Acrylic Panels. Remove machine screws from the glass or acrylic frame and apply them to the connector bracket, (See **Machine Screws Removal from Glass or Acrylic panel**).

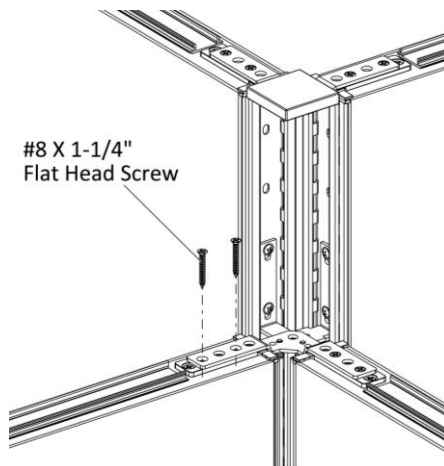
- 12.** Position the two bottom corner brackets of the fourth panel, (Figure 8).
- 13.** Securely fasten the bottom corner brackets to the panel leg with M6 X 16MM Flat Machine Screws.
- 14.** Position the fourth panel to create a 4-way configuration and level it accordingly.
- 15.** Secure the base with two M6 X 16MM Flat Machine Screws, (Figure 9).
- 16.** Drive two #8 X 1-1/4" Flat Head Screws through the holes in the intermediate panel connector into the panels, (Figure 10).
- 17.** Position the 90-degree filler connector at the desired location, (Figure 11).
- 18.** Drive four #8 X 1-1/2" Washer Head Screws through the holes in the 90-degree filler connector into the panels.
- 19.** Follow **Steps 17 and 18** above to install the remaining 90-degree connector.



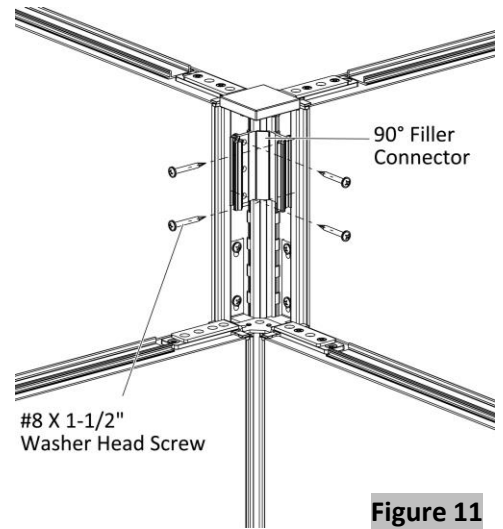
**Figure 8**



**Figure 9**

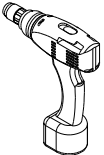
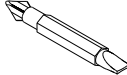
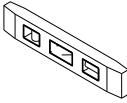
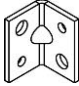
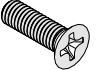

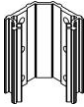



**Figure 10**



**Figure 11**

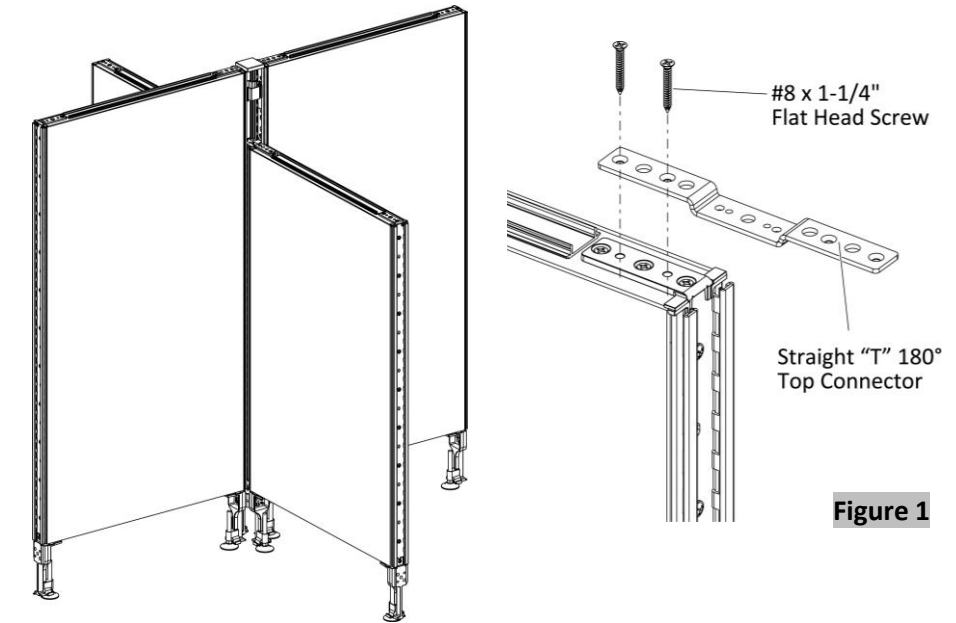
## Tools & Hardware Needed

			8393-0044 	8540-1205 
Drill	Phillips #2 & #3 Bit or Robertson #2	Torpedo Level	Bottom Corner Bracket (2X)	M6 X 16MM Flat Machine Screw (6X)
8540-1008 	8406-0033 	8540-1185 		
#8 X 1-1/4", Flat Head Screw (2X)	90° Filler Connector	#8 X 1-1/2" Washer Head Screw		

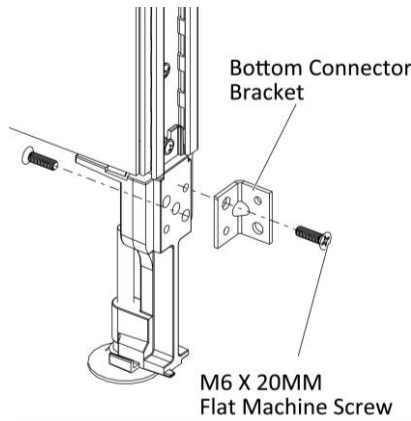
# 4-Way Panel Connection – Type D

**Caution:** Do not use #8 X 1-1/4" Flat Head Screws and #8 X 1-1/2" Washer Head Screws on Glass or Acrylic Panels. Remove machine screws from the glass or acrylic frame and apply them to the connector bracket, (See **Machine Screws Removal from Glass or Acrylic panel**).

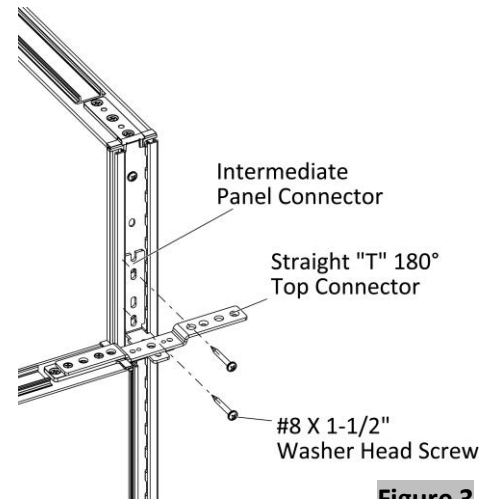
1. Position a straight "T" 180° top connector on the top edge of one of the short panels, (Figure 1).
2. Drive two #8 X 1-1/4" Flat Head Screws through the holes in the straight "T" 180° top connector into the panel.
3. Securely fasten the bottom corner bracket to the panel leg with two M6 X 16MM Flat Machine Screws, (Figure 2).
4. Position one of the tall panels and a short panel with connectors installed to create a 90-degree angle.
5. Level the panels accordingly.
6. Position the intermediate panel connector at the desired location, (Figure 3).
7. Drive two #8 X 1-1/2" Washer Head Screws through the holes in the intermediate panel connector into the tall panel.



**Figure 1**



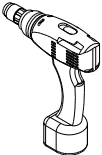
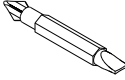
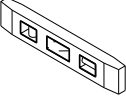

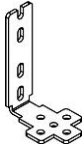


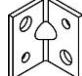
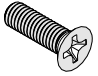
**Figure 2**



**Figure 3**

Continued on the next page >>

## Tools & Hardware Needed

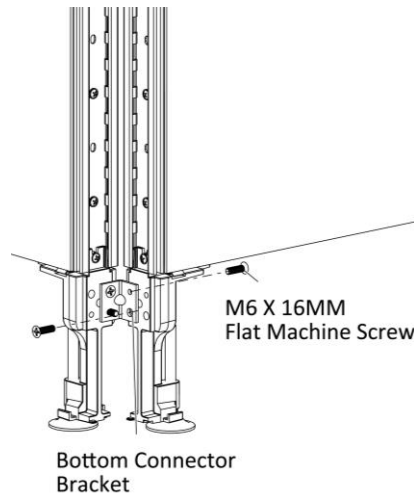
			8393-0047 	8393-0042 
Drill	Phillips #2 & #3 Bit or Robertson #2	Torpedo Level	Straight "T" 180° Top Connector	Intermediate Panel Connector
8540-1008 	8540-1185 	8393-0044 	8540-1205 	
#8 X 1-1/4", Flat Head Screw (2X)	#8 X 1-1/2" Washer Head Screw (2X)	Bottom Corner Bracket	M6 X 16MM Flat Machine Screw (2X)	

# 4-Way Panel Connection – Type D

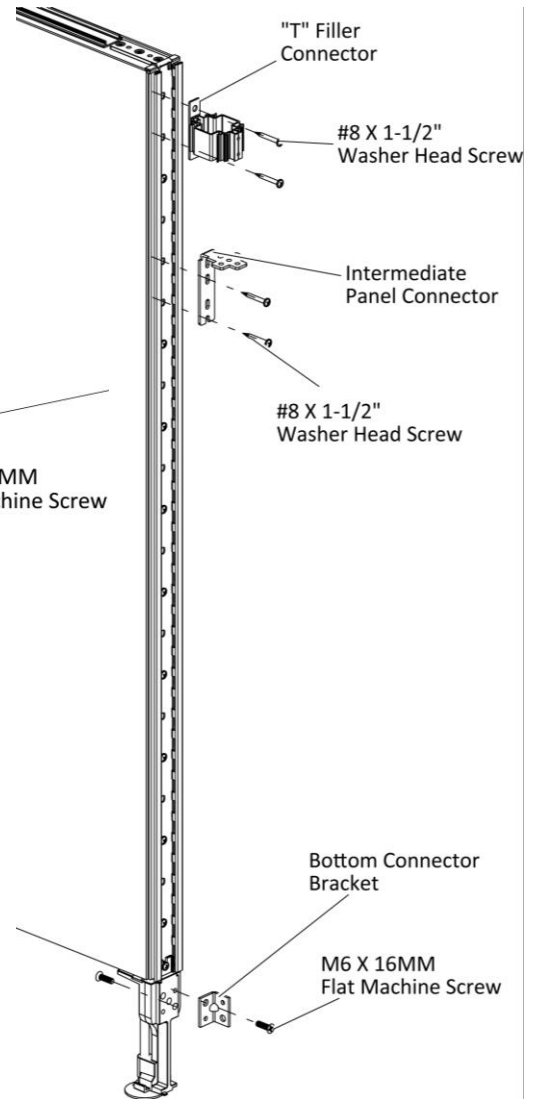
**Caution:** Do not use #8 X 1-1/4" Flat Head Screws and #8 X 1-1/2" Washer Head Screws on Glass or Acrylic Panels. Remove machine screws from the glass or acrylic frame and apply them to the connector bracket, (See **Machine Screws Removal from Glass or Acrylic panel**).

8. Securely fasten the base with two M6 X 16MM Flat Machine Screws, (Figure 4).
9. Position the third panel (tall panel) to create a 3-way configuration and level it accordingly.
10. Determine the location of the intermediate panel connector and "T" filler connector, (Figure 5).
11. Securely fasten the intermediate panel connector and "T" filler connector with two #8 X 1-1/2" Washer Head Screws.
12. Repeat **Steps 10 and 11** to install the remaining "T" filler connectors.
13. Securely fasten the bottom corner bracket to the panel leg of the third panel with two M6 X 16MM Flat Machine Screws, (Figure 5).

Continued on the next page >>

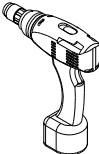
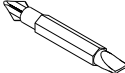
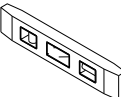
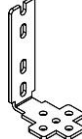



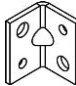



**Figure 4**



**Figure 5**

### Tools & Hardware Needed

			8393-0042 	8540-1185 
Drill	Phillips #2 & #3 Bit or Robertson # 2	Torpedo Level	Intermediate Panel Connector	#8 X 1-1/2" Washer Head Screw (2X)
8406-0034 	8540-1185 	8393-0044 	8540-1205 	
08 & 16 High Filler – 1X 24 & 32 High Filler – 2X	08 & 16 High Filler – 2X 24 & 32 High Filler – 4X	Bottom Corner Bracket	M6 X 16MM Flat Machine Screw (4X)	
"T" Filler Connector	#8 X 1-1/2" Washer Head Screw			

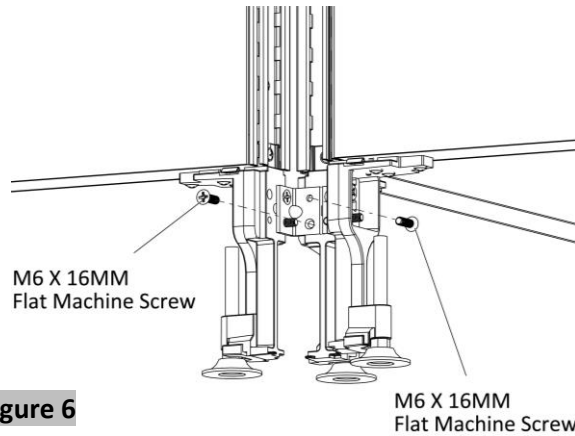


# 4-Way Panel Connection – Type D

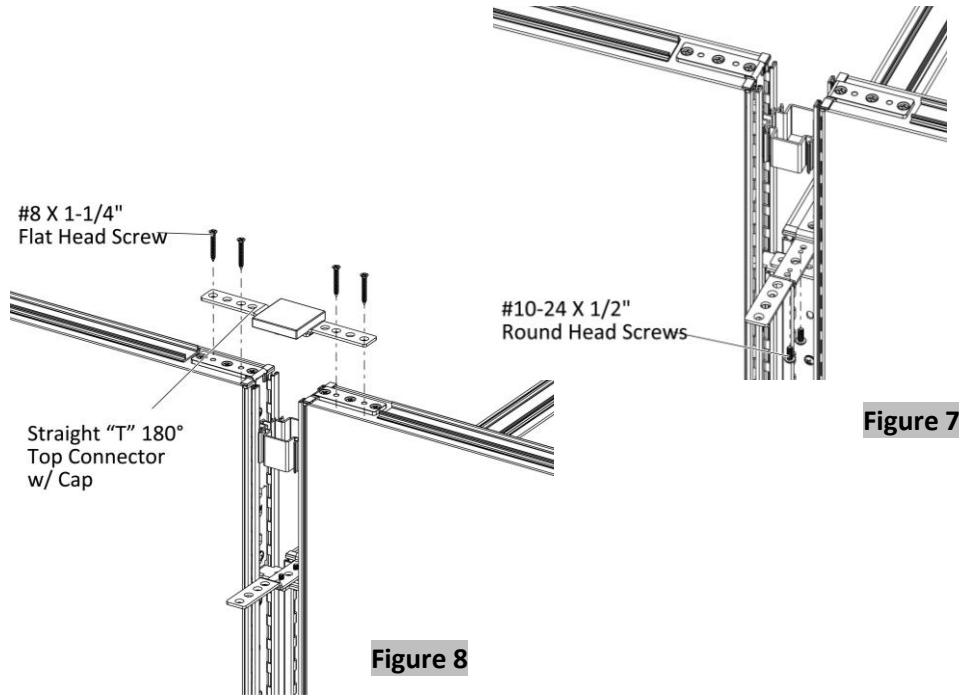
**Caution:** Do not use #8 X 1-1/4" Flat Head Screws and #8 X 1-1/2" Washer Head Screws on Glass or Acrylic Panels. Remove machine screws from the glass or acrylic frame and apply them to the connector bracket, (See **Machine Screws Removal from Glass or Acrylic panel**).

- 14.** Secure the base with two M6 X 16MM, Flat Machine Screws, (Figure 6).
- 15.** Securely fasten the connectors with two #10-24 X 1/2" Round Head Screws, (Figure 7).
- 16.** Position a straight "T" 180° top connector with a pre-installed top cap at desired location, (Figure 8).
- 17.** Drive four #8 X 1-1/4" Flat Head Screws through the holes in straight "T" 180° top connector into the panels.

Continued on the next page >>



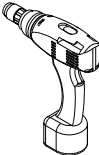

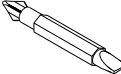




**Figure 6**



**Figure 7**

**Figure 8**

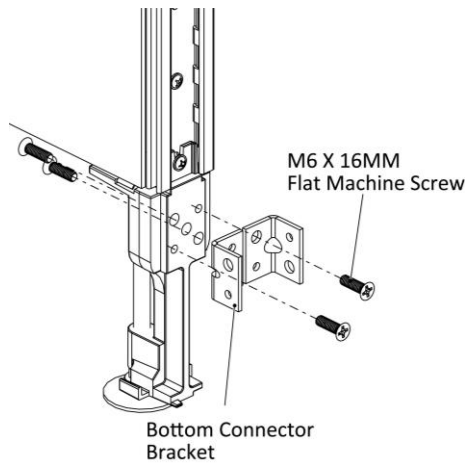
### Tools & Hardware Needed

			8540-1017 	8540-1205 
Drill	90° Angle Drill	Phillips #2 & #3 Bit or Robertson # 2	#10-24 X 1/2" RH Screw (2X)	M6 X 16MM Flat Machine Screw (2X)
8393-0047, 8540-1188 & 8683-0040 	8540-1008 			
Straight Top Connector w/ Cap	#8 X 1-1/4", Flat Head Screw (4X)			

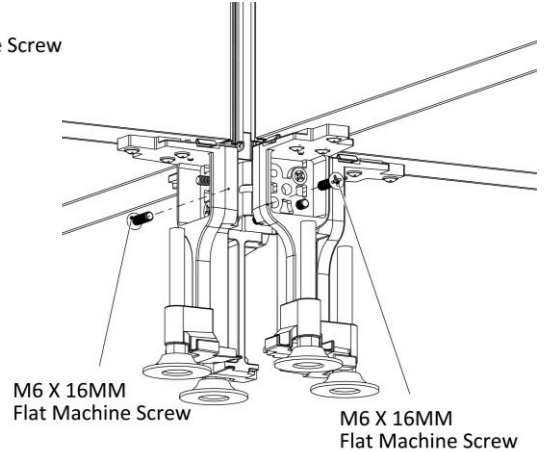
# 4-Way Panel Connection – Type D

**Caution:** Do not use #8 X 1-1/4" Flat Head Screws and #8 X 1-1/2" Washer Head Screws on Glass or Acrylic Panels. Remove machine screws from the glass or acrylic frame and apply them to the connector bracket, (See **Machine Screws Removal from Glass or Acrylic panel**).

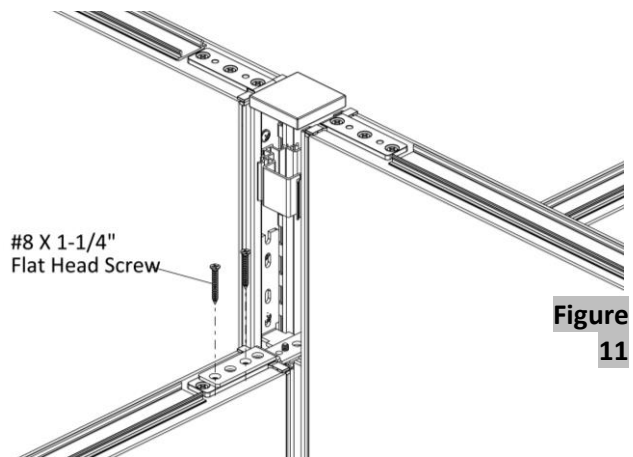
- 18.** Install two bottom corner brackets to the panel leg of the fourth panel with M6 X 16MM Flat Machine Screws, (Figure 9).
- 19.** Position the fourth panel to create 4-Way panel connections.
- 20.** Secure the base with two M6 X 16MM, Flat Machine Screws, (Figure 10).
- 21.** Drive two #8 X 1-1/4" Flat Head Screws through the holes in straight "T" 180° top connector into the panel, (Figure 11).



**Figure 9**

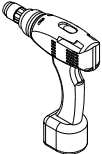
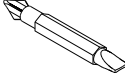
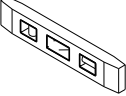
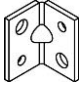
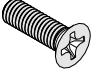



**Figure 10**



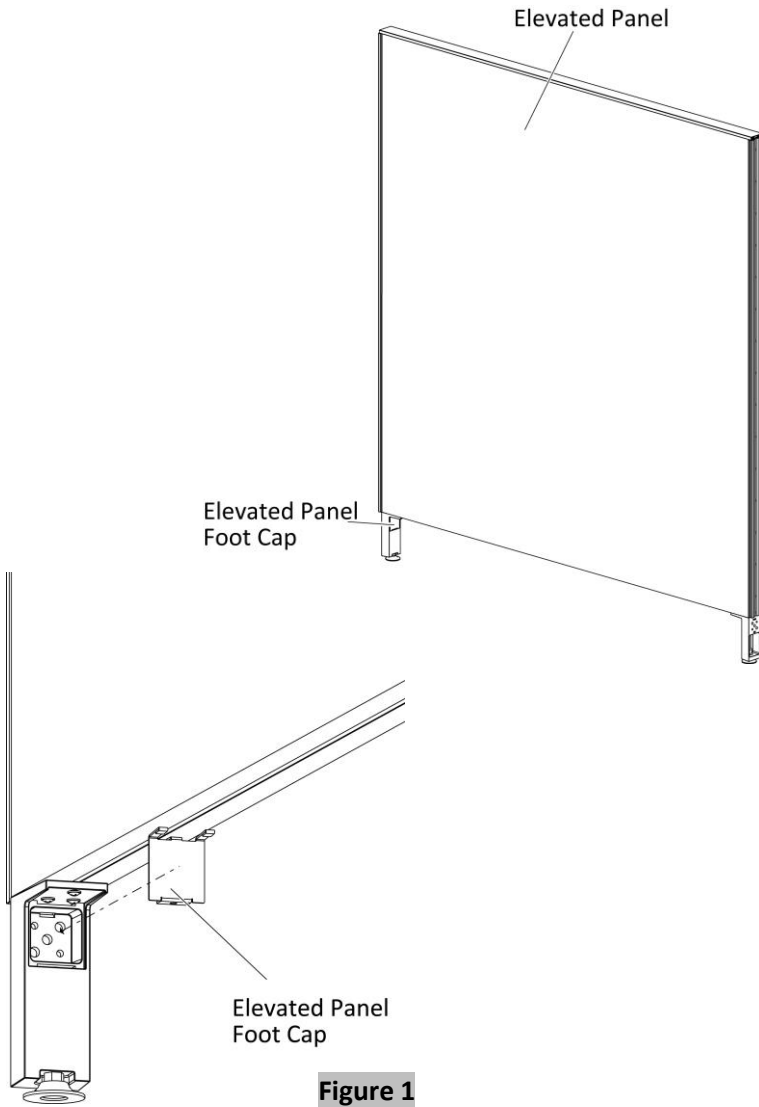
**Figure 11**

### Tools & Hardware Needed

			8393-0044 	8540-1205 
Drill	Phillips #2 & #3 Bit or Robertson #2	Torpedo Level	Bottom Corner Bracket (2X)	M6 X 16MM Flat Machine Screw (6X)
8540-1008 				
#8 X 1-1/4", Flat Head Screw (2X)				

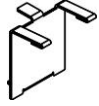
# Elevated Panel Foot Cap Installation

1. Position the foot cap at the desired location, (Figure 1).
2. Cover the cavity of the panel leg by pushing the foot cap until it stays firmly.



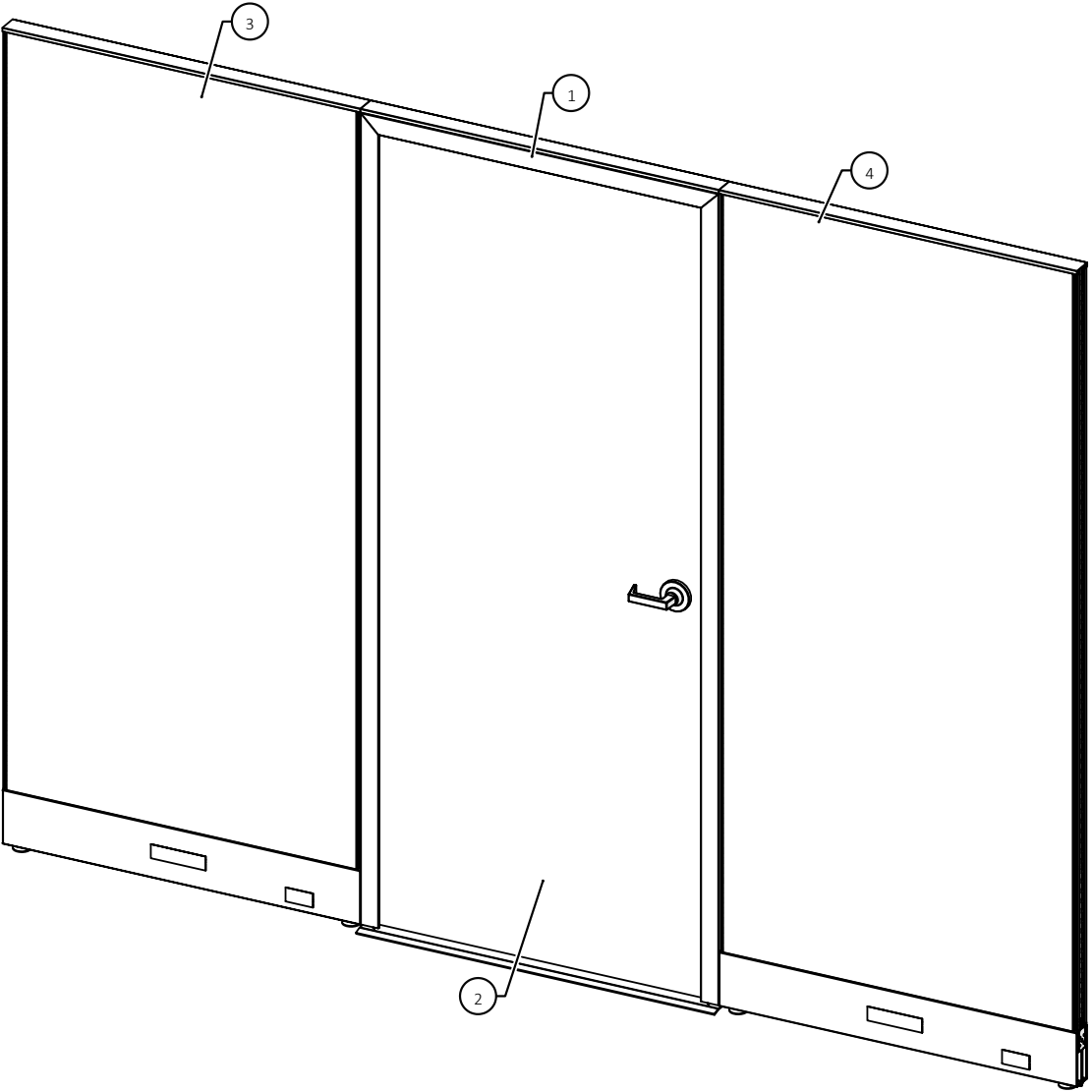
**Figure 1**

## Tools & Hardware Needed

<p>8393-0062</p> 				
<p>Elevated Panel Foot Cap (2X)</p>				

# Panel Door - Straight Connection

---



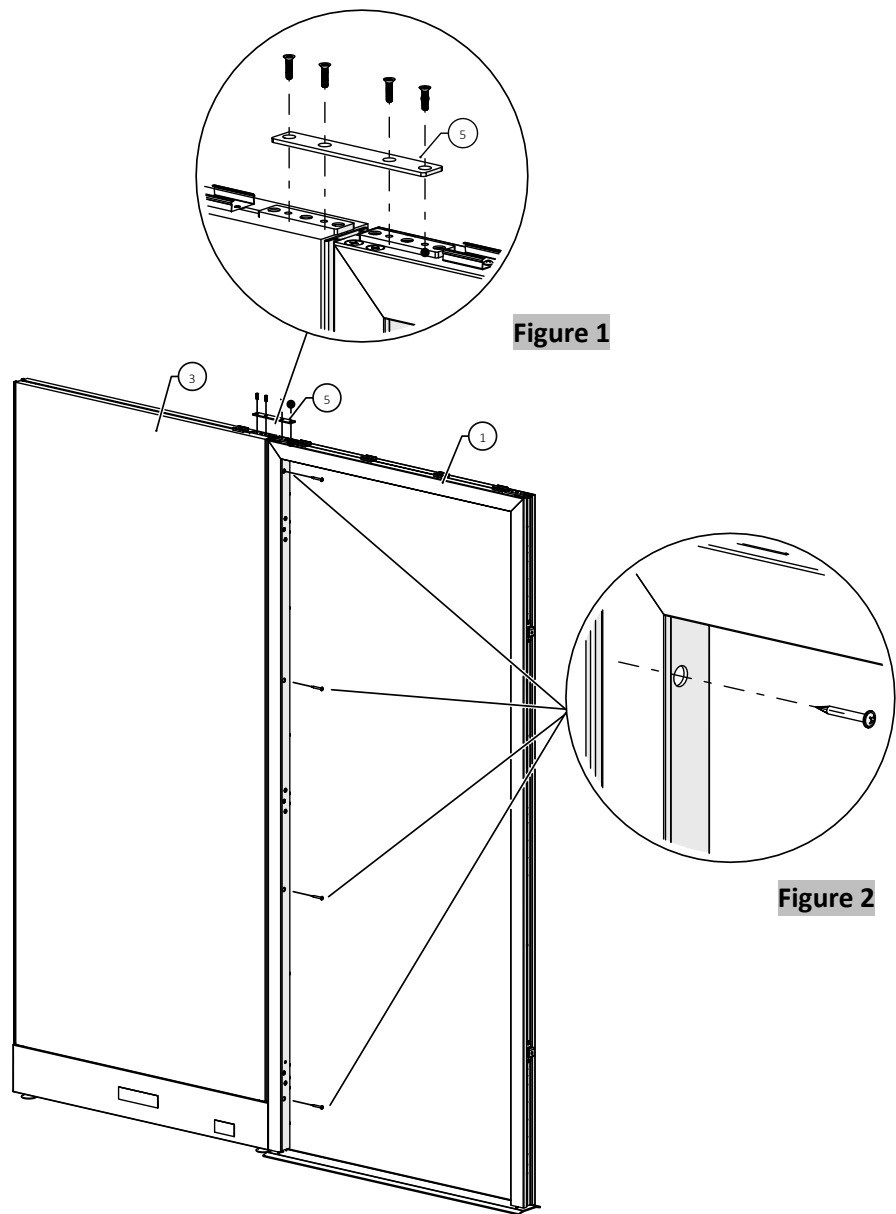
- ① PANEL DOOR FRAME, LH/RH (LH SHOWN)
- ② PANEL DOOR, LH/RH (LH SHOWN)
- ③ PANEL
- ④ PANEL

# Panel Door - Straight Connection

**Caution:** Do not use #8 X 1-1/4" Flat Head Screws (8540-1008) and #8 X 1-1/2" Washer Head Screws (8540-1185) to connect Glass or Acrylic panels.

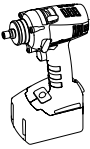
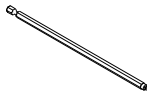
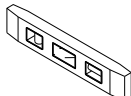


1. Position the panel door frame to create a straight connection; level the panel door frame to align with the panel.
2. Attach the top connector (countersink face up) to the topside of the panel door and panel (Joints) using #8-32 X 5/8" Flat Head Screws, (Figure 1).
3. Securely fasten the door frame to Panel. For the glass or acrylic portion of the panel, use #10-32 X 1" Round Head Screws. For a portion of the panel without the glass or acrylic, use #8 X 1-1/2" Washer Head Screws, (Figure 2).

Continued on the next page >>



- ① PANEL DOOR FRAME
- ③ PANEL
- ⑤ TOP CONNECTOR

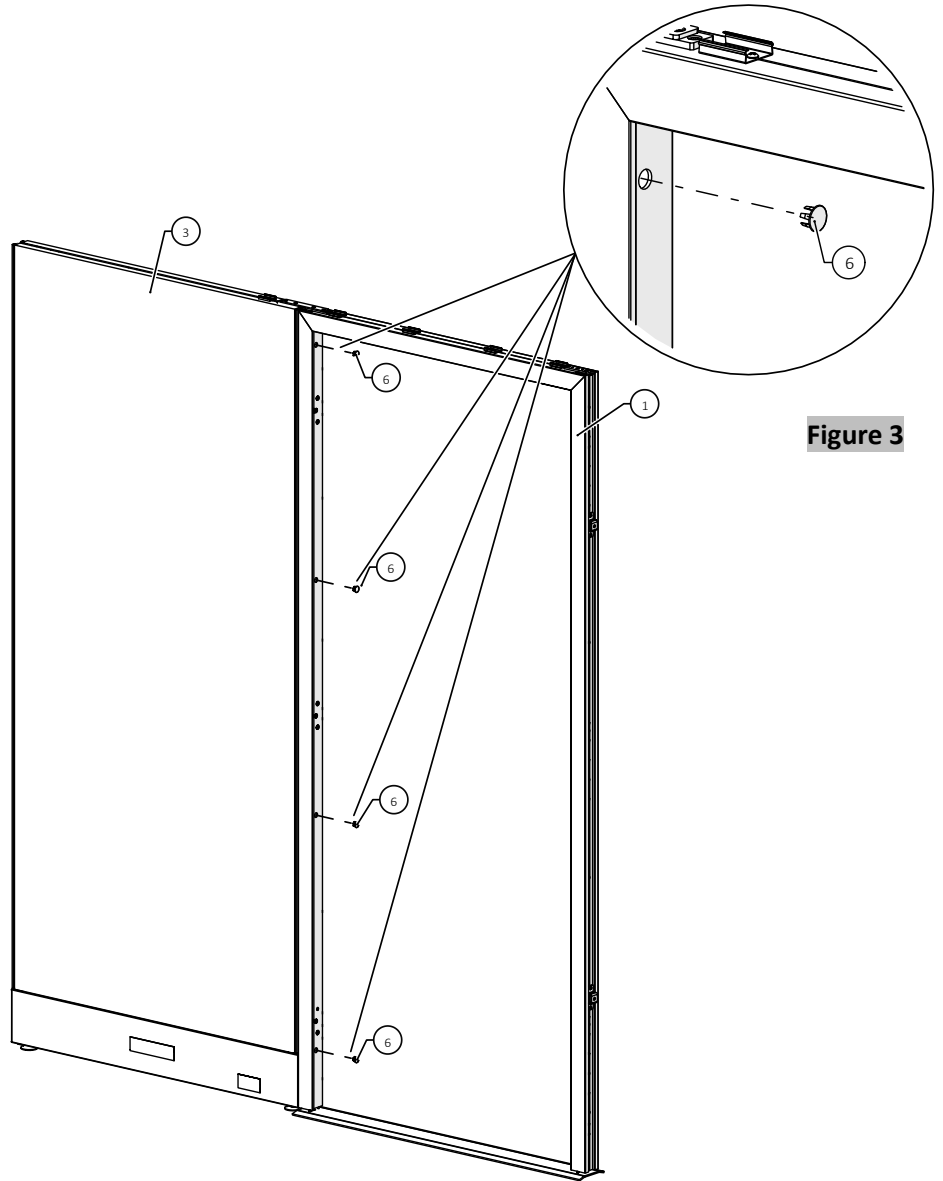
## Tools & Hardware Needed

			8393-0040	8540-1196
Drill	Robertson #2 Long Bit	Torpedo Level	Top Connector Panel to Panel	#8-32 x 5/8" Flat Head Screw
8540-0557	8540-1185			
				
#10-32 x 1" RH Screw	#8 x 1-1/2" Washer Head Screw			

# Panel Door - Straight Connection

4. Insert the metal snap-in plugs into the holes of the door frame, (Figure 3).

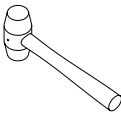

Continued on the next page >>



**Figure 3**

- ① PANEL DOOR FRAME, LH SHOWN
- ③ PANEL
- ⑥ METAL SNAP-IN PLUG

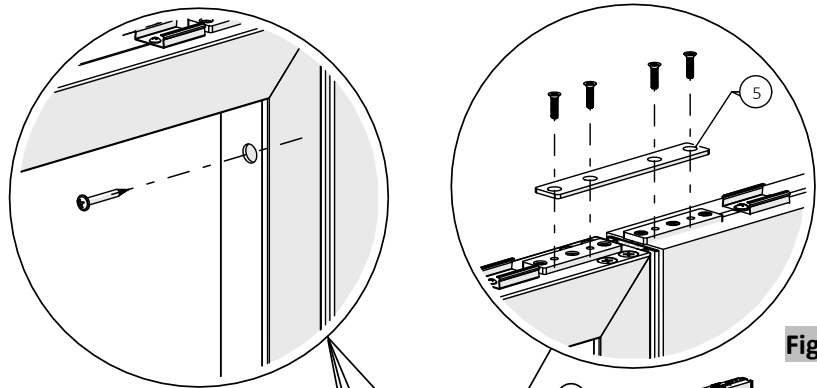
## Tools & Hardware Needed

	8540-1377 			
Rubber Mallet	Metal Snap-in Plug F/ 15/32" Hole			

# Panel Door - Straight Connection

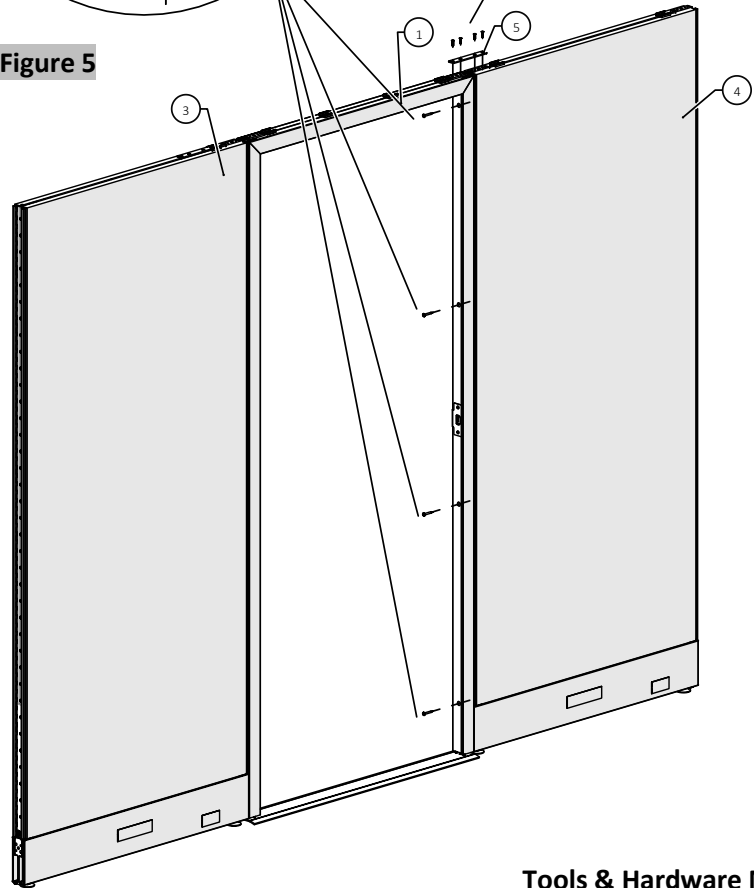
**5.** Repeat **Steps 2-3** to securely fasten the panel door frame to the panel, (Figures 4 & 5).

Continued on the next page >>





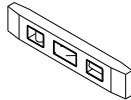
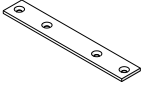



**Figure 4**

**Figure 5**



- ① PANEL DOOR FRAME (LH SHOWN)
- ③ PANEL
- ④ PANEL
- ⑤ TOP CONNECTOR

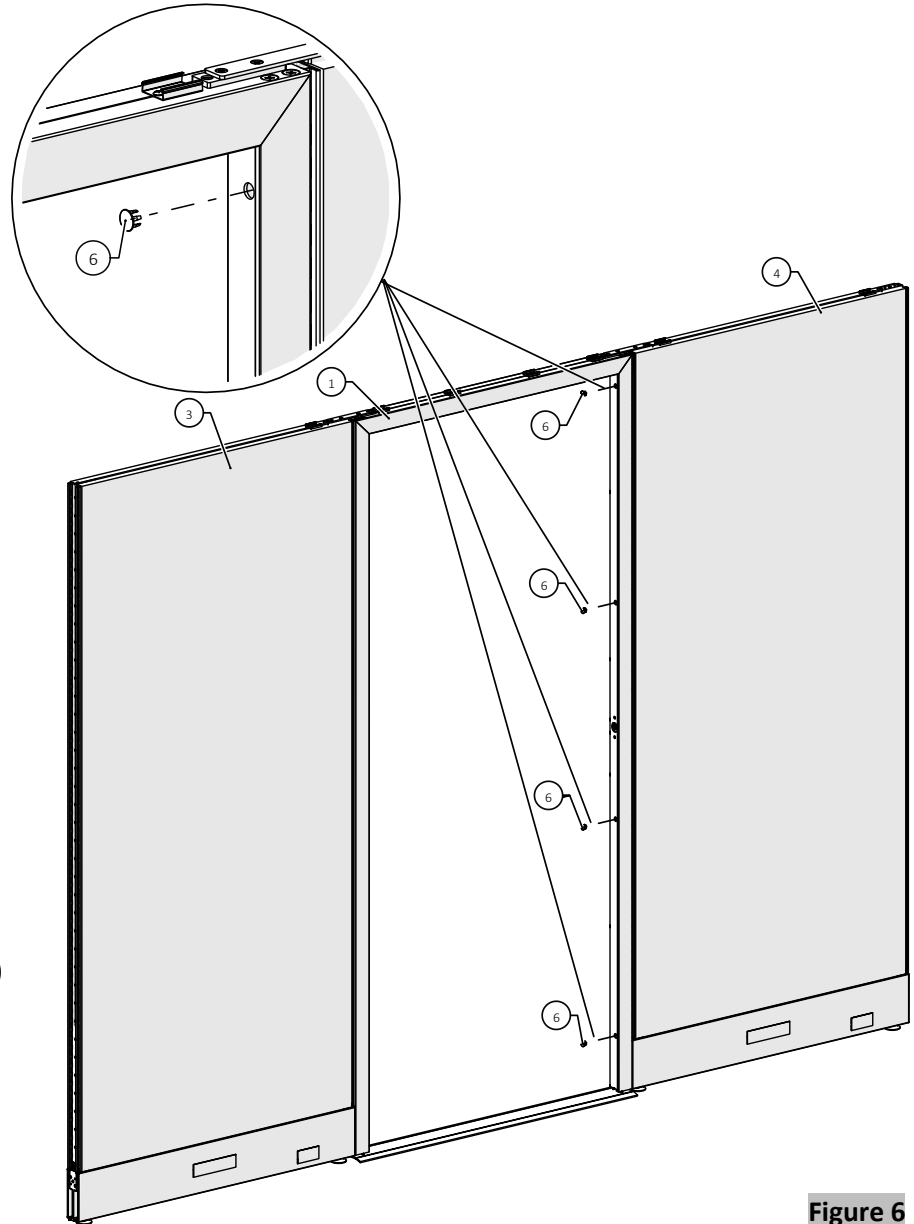
### Tools & Hardware Needed

			8393-0040 	8540-1196 
Drill	Robertson #2 Long Bit	Torpedo Level	Top Connector Panel to Panel	#8-32 x 5/8" Flat Head Screw
8540-0557 	8540-1185 			
#10-32 x 1" RH Screw	#8 x 1-1/2" Washer Head Screw			

# Panel Door - Straight Connection

- 6.** Repeat **Step 4** to insert the metal snap-in plugs into the holes of the door frame, (Figure 6).

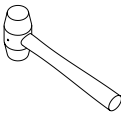

Continued on the next page >>



- ① PANEL DOOR FRAME (LH SHOWN)
- ③ PANEL
- ④ PANEL
- ⑥ METAL SNAP-IN PLUG

**Figure 6**

## Tools & Hardware Needed

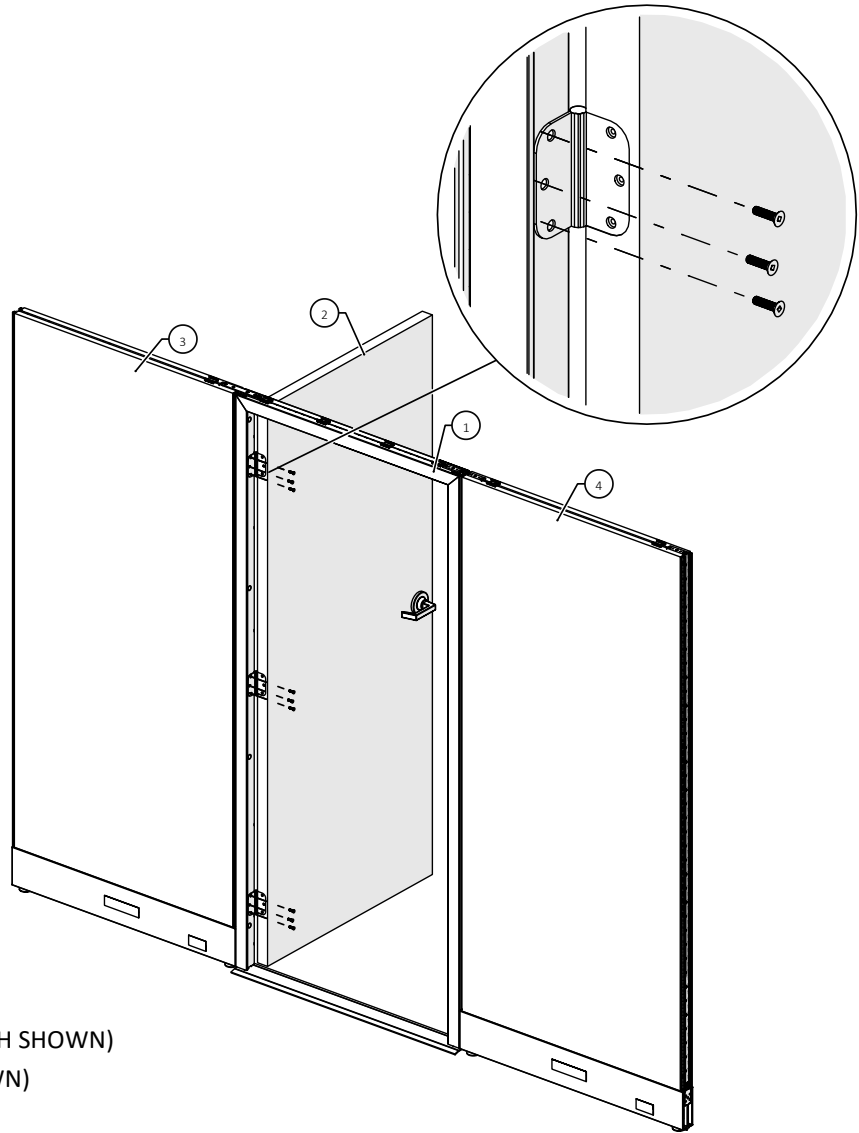
	8540-1377 			
Rubber Mallet	Metal Snap-in Plug F/ 15/32" Hole			



# Panel Door - Straight Connection

7. Install the door and door knob, (Figure 7).


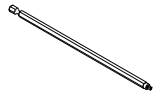
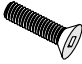
Continued on the next page >>



- ① PANEL DOOR FRAME (LH SHOWN)
- ② PANEL DOOR (LH SHOWN)
- ③ PANEL
- ④ PANEL

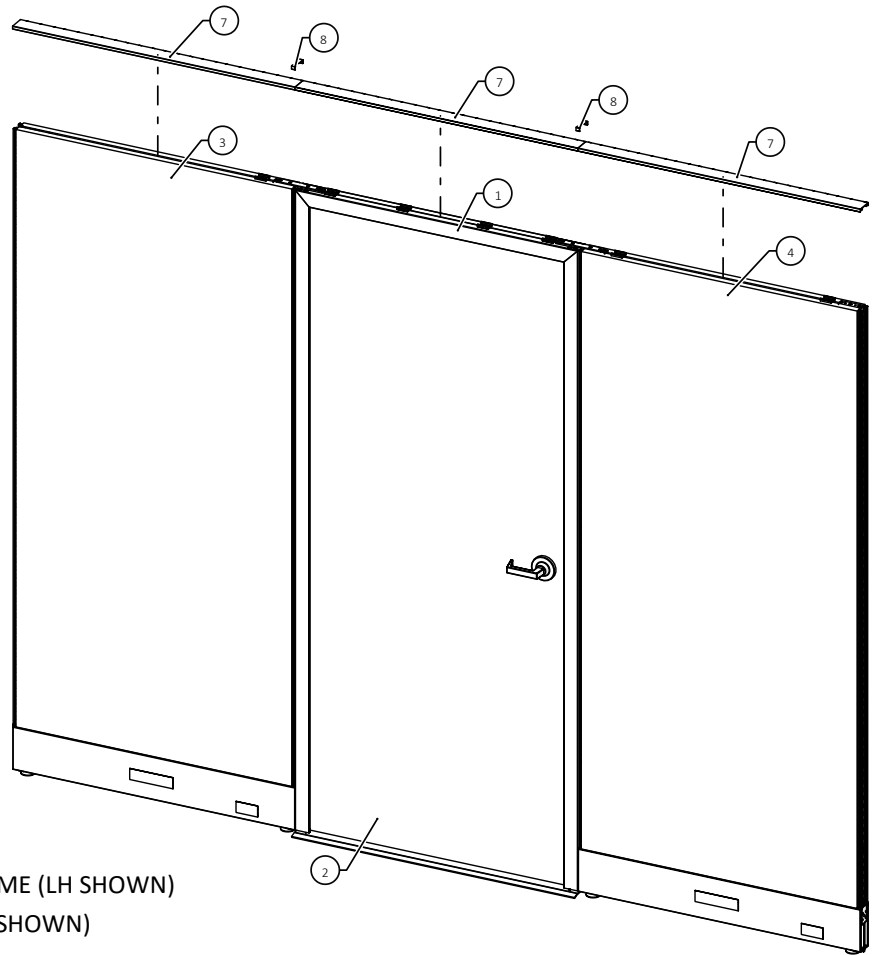
Figure 7

### Tools & Hardware Needed

		8540-0555 		
Drill	Robertson #2 Long Bit	#10 - 32 x 3/4", FH SQ DR Screw		

# Panel Door - Straight Connection

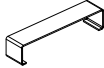
**8.** Attach the top trims and the top trim caps, (Figure 8). **Please see the Top Trim Installation instructions.**



- ① PANEL DOOR FRAME (LH SHOWN)
- ② PANEL DOOR (LH SHOWN)
- ③ PANEL
- ④ PANEL
- ⑦ TOP TRIM
- ⑧ TOP TRIM CAP

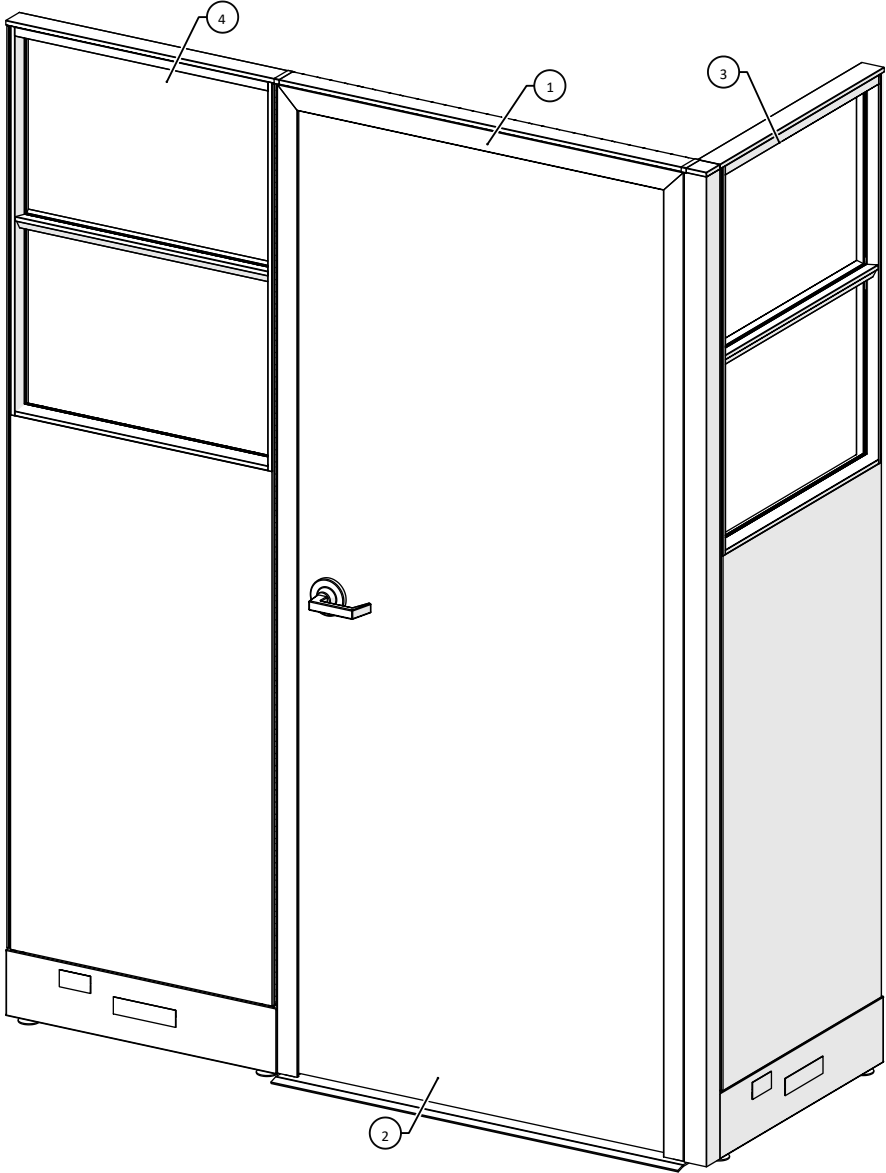
**Figure 8**

## Tools & Hardware Needed

8393-0231				
				
Top Trim Cap				

# Panel Door - 90° Connection

---



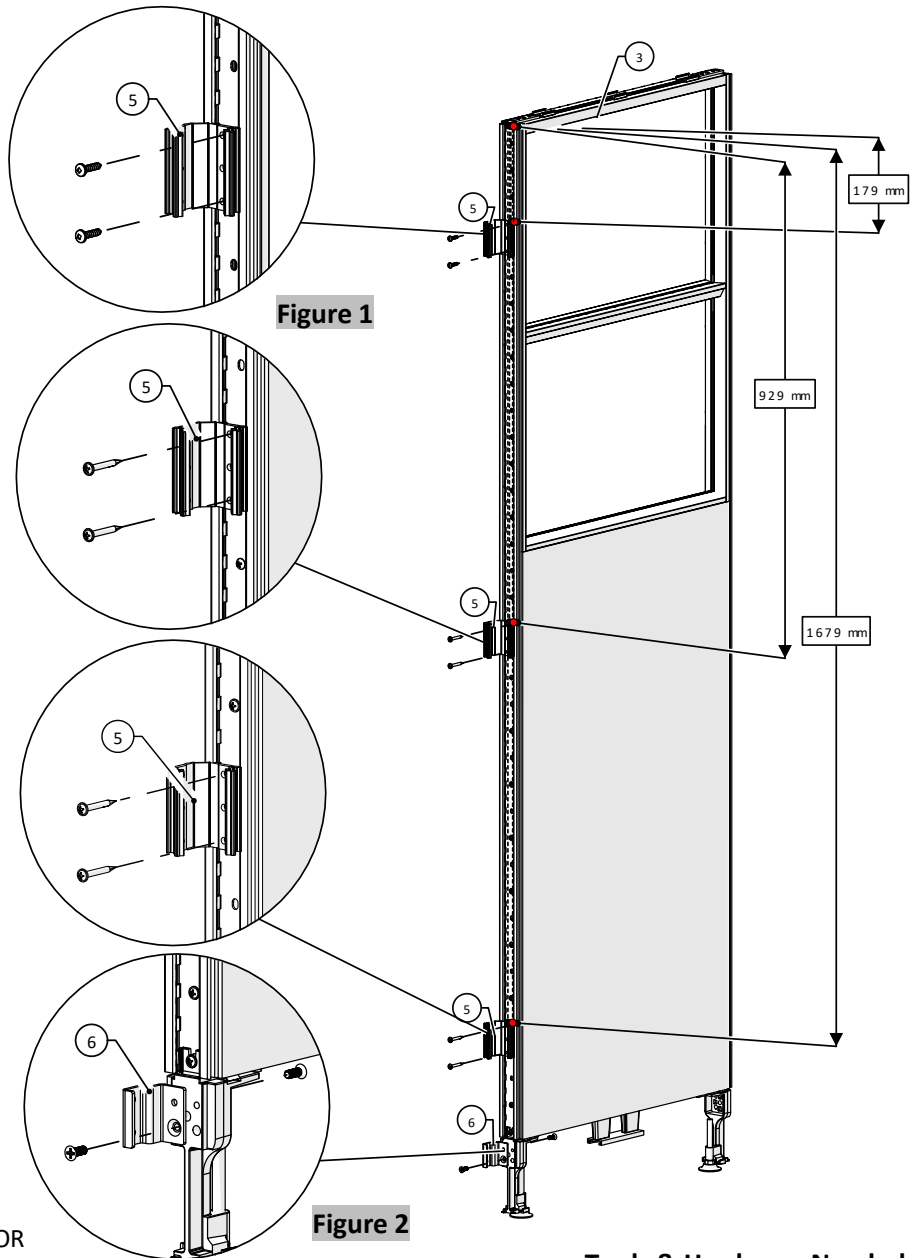
- ① PANEL DOOR FRAME, LH/RH (RH SHOWN)
- ② PANEL DOOR, LH/RH (RH SHOWN)
- ③ PANEL 1
- ④ PANEL 2

# Panel Door - 90° Connection

**Caution:** Do not use #8 X 1-1/4" Flat Head Screws (8540-1008) and #8 X 1-1/2" Washer Head Screws (8540-1185) to connect Glass or Acrylic panels.

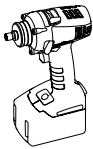
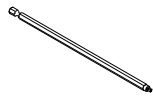
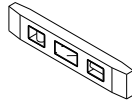



1. Attach a 90-degree filler connector to the panel (Panel 1). For the glass or acrylic portion of the panel, use #10X -7/8" L Self Tapping Truss Head Screws. For the portion of the panel without glass or acrylic, use #8 X 1-1/2" Washer Head Screws, (Figure 1).
2. Repeat **Step 1** to install the remaining 90-degree filler connectors.
3. Attach a 3-Way or 4-Way connector to the door frame using M6 X 16MM Flat Machine Screws, (Figure 2).

Continued on the next page >>



- 3 PANEL 1
- 5 90° FILLER CONNECTOR
- 6 3-WAY OR 4-WAY BOTTOM CONNECTOR

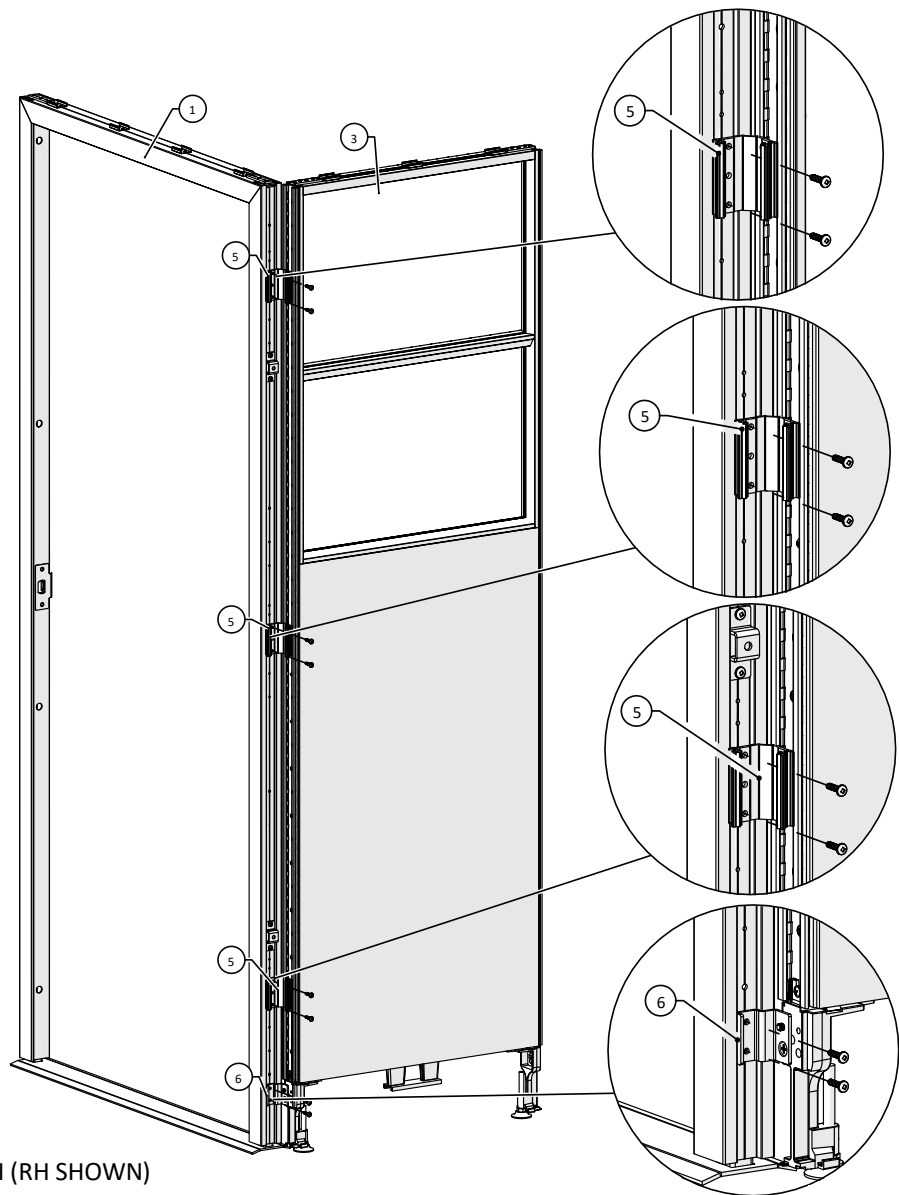
## Tools & Hardware Needed

			8406-0033	8485-0710
Drill	Robertson #2 Long Bit	Torpedo Level	90° Filler Connector	3-Way or 4-Way Connector
8540-1380	8540-1185	8540-1205		
				
#10 X 7/8" L Self Tapping TH Screw	#8 x 1-1/2" Washer Head Screw	M6 X 16MM Flat Machine Screw		

# Panel Door - 90° Connection

4. Position the panel door frame to create a 90-degree angle panel connection and level them accordingly.
5. Connect the panel door frame to the connectors; securely fasten the 3-way or 4-way bottom connector first then the topmost 90-degree filler connector using #10 X 7/8" L Self Tapping Truss Head Screws, (Figure 3).
6. Securely fasten the remaining 90-degree filler to the panel door frame using #10 X 7/8" L Self Tapping Truss Head Screws.

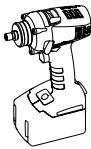

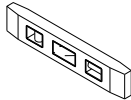

Continued on the next page >>



- ① PANEL DOOR, LH/RH (RH SHOWN)
- ③ PANEL 1
- ⑤ 90° FILLER CONNECTOR
- ⑥ 3-WAY OR 4-WAY BOTTOM CONNECTOR

**Figure 3**

### Tools & Hardware Needed

			8540-1380 	
Drill	Robertson #2 Long Bit	Torpedo Level	#10 X 7/8" L Self Tapping TH Screw	

# Panel Door - 90° Connection

7. Install the top cap to L-Bracket using #10-24 X 1/4" Round Head Screw, (Figure 4).
8. Attach the L- Bracket to the panel (Panel 1). For the glass or acrylic portion of the panel, use #10-32 X 1/2" Pan Head Screws. For the portion of the panel without the glass or acrylic, use #8 X 1-1/2" Washer Head Screws, (Figure 5).

Continued on the next page >>

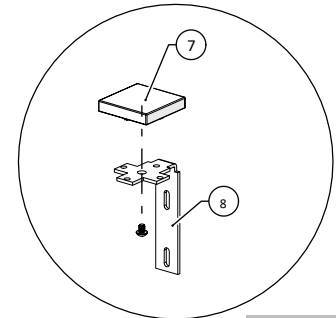
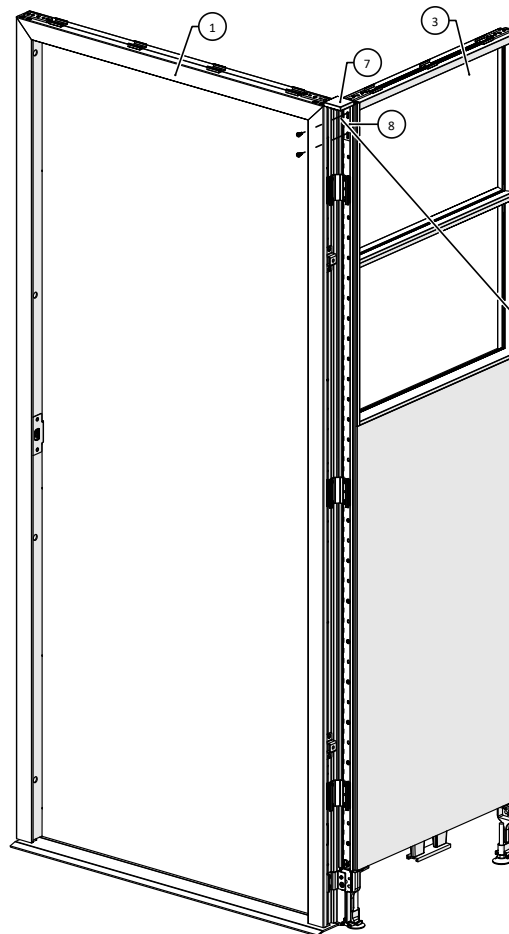


Figure 4

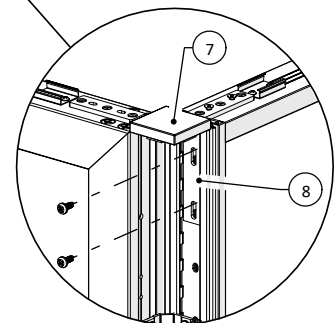
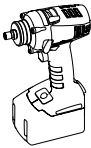


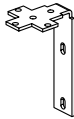





Figure 5

- ① PANEL DOOR (RH SHOWN)
- ③ PANEL 1
- ⑦ TOP CAP
- ⑧ L-BRACKET

## Tools & Hardware Needed

			8485-0712 	8540-1188 
Drill	Robertson #2 Long Bit	Switch Top Cap	Top Cap L-Bracket	#10-24 X 1/4", RH Screw
8540-1136 	8540-1185 			
#10-32 X 1/2, Pan Head Screw	#8 x 1-1/2" Washer Head Screw			

# Panel Door - 90° Connection

9. Attach the top connector (countersink face up) between the topside of the panel door frame and panel (Panel 2) using #8-32 X 5/8" Flat Head Screws, (Figure 6).
10. Securely fasten the door frame to the panel (Panel 2). For the glass or acrylic portion of the panel, use #10-32 X 7/8" L Self Tapping Truss Head Screws. For the portion of the panel without the glass or acrylic, use #8 X 1-1/2" Washer Head Screws, (Figure 7).

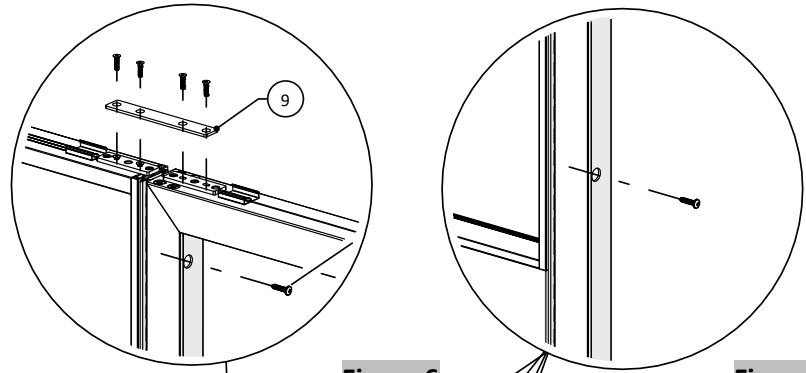
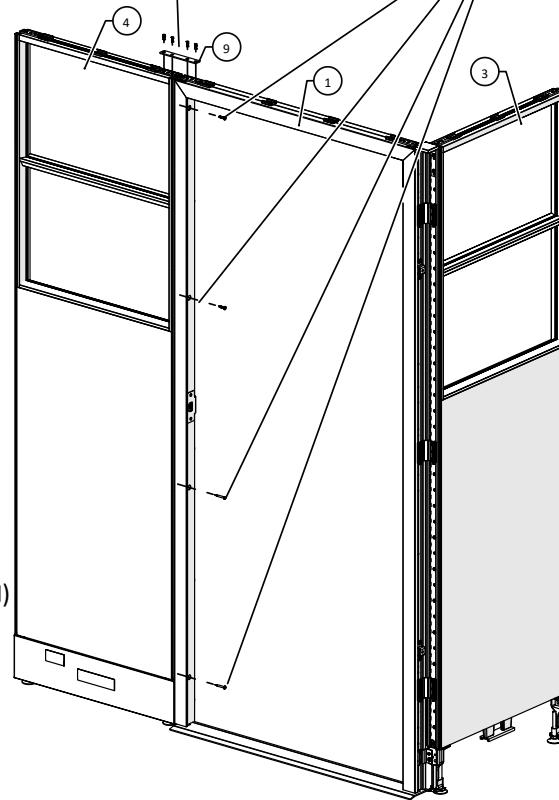


Figure 6

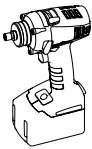
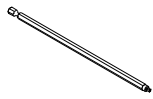
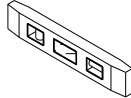
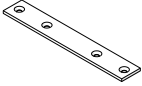
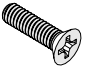


Figure 7

Continued on the next page >>



- ① PANEL DOOR, LH/RH (RH SHOWN)
- ③ PANEL 1
- ④ PANEL 2
- ⑨ TOP CONNECTOR

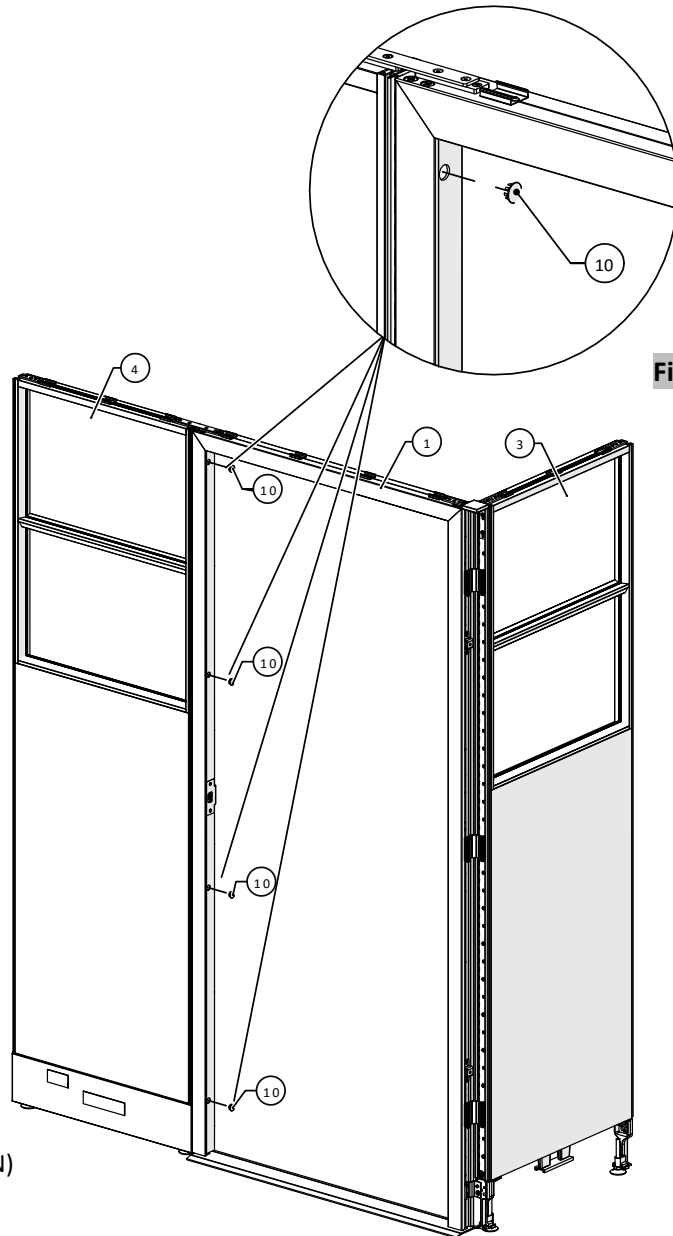
## Tools & Hardware Needed

			8393-0040 	8540-1196 
Drill	Robertson #2 Long Bit	Torpedo Level	Top Connector Panel to Panel	#8-32 x 5/8" L Flat Head Screw
8540-1380 	8540-1185 			
#10 X 7/8" L Self Tapping TH Screw	#8 x 1-1/2" Washer Head Screw			

# Panel Door - 90° Connection

**11.** Snap in the metal plugs into the holes of the door frame, (Figure 8).

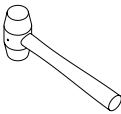
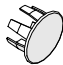
Continued on the next page >>



**Figure 8**

- ① PANEL DOOR FRAME, LH/RH (RH SHOWN)
- ③ PANEL 1
- ④ PANEL 2
- ⑩ METAL SNAP-IN PLUG

### Tools & Hardware Needed

	8540-1377 			
Rubber Mallet	Metal Snap-in Plug F/ 15/32" Hole			

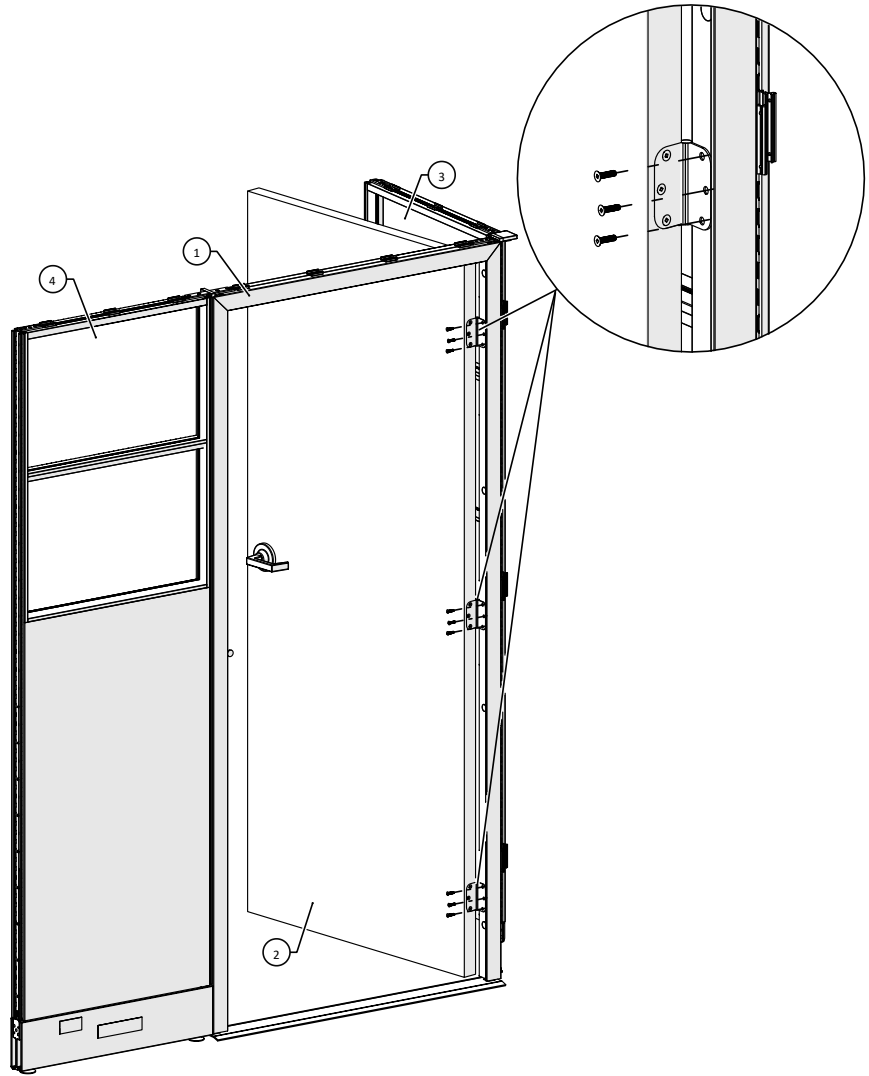


# Panel Door - 90° Connection

**12.** Install the panel door to the panel using the screws provided, (Figure 9).

**13.** Install the door handle.

Continued on the next page >>



- ① PANEL DOOR FRAME (RH SHOWN)
- ② PANEL DOOR (RH SHOWN)
- ③ PANEL 1
- ④ PANEL 2

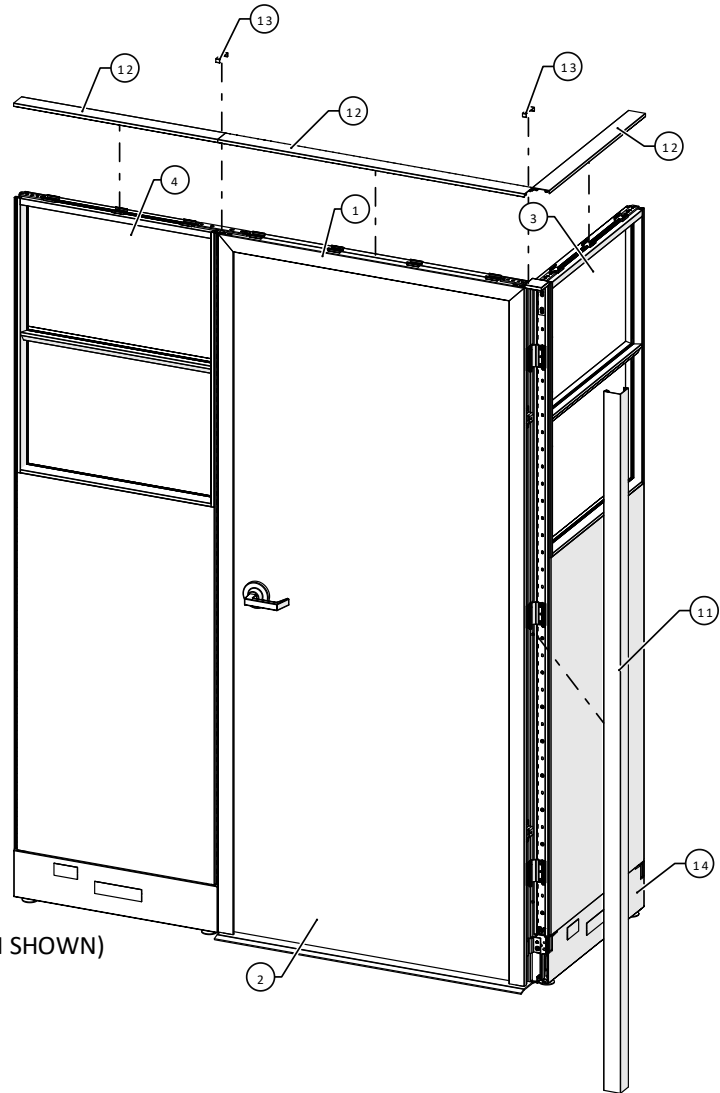
**Figure 9**

### Tools & Hardware Needed


# Panel Door - 90° Connection

**14.** Attach the 90° Filler, top trims, top trim caps, and raceways, (Figure 10).

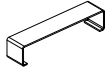
Please see the 90° Filler, Top Trim, and Raceway Installation instructions.



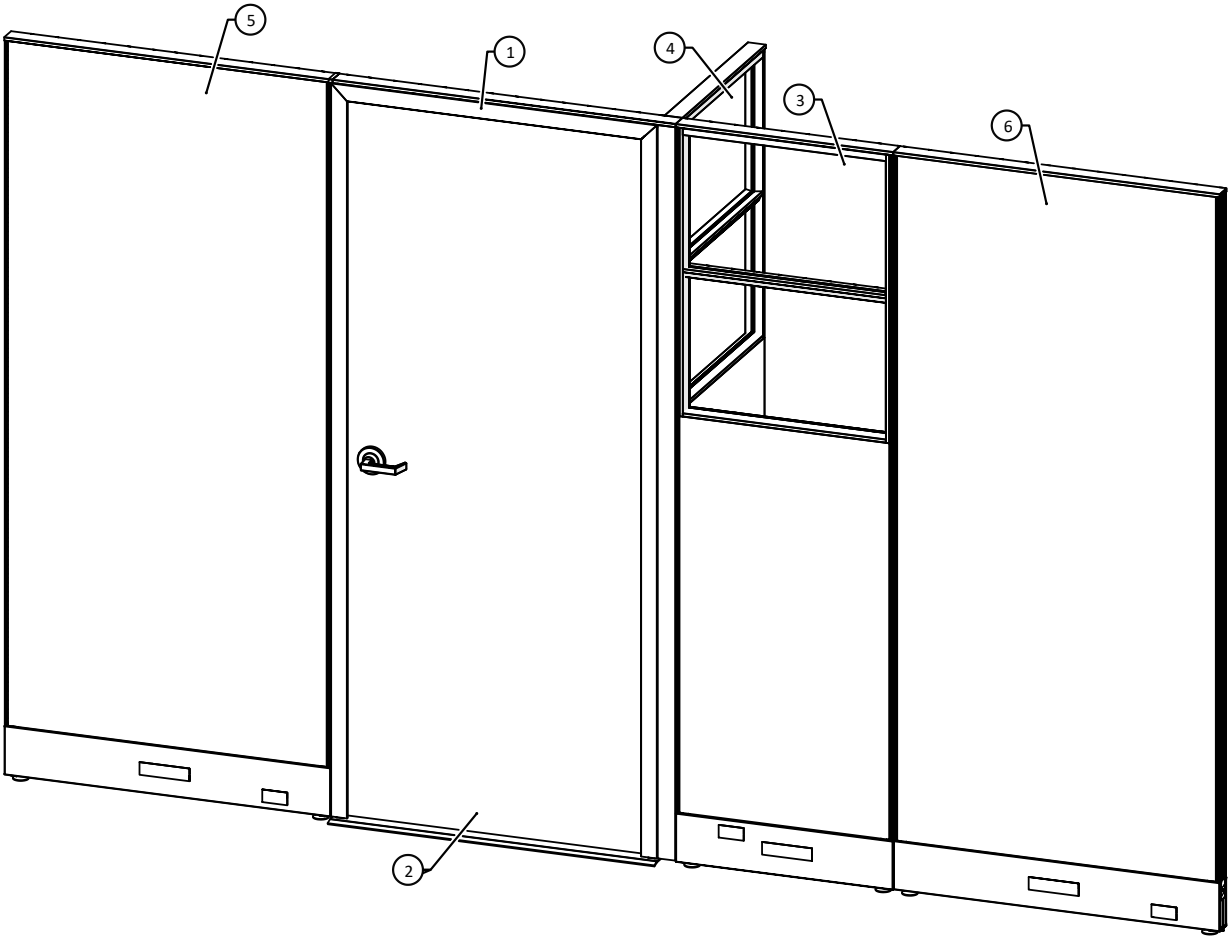
- ① PANEL DOOR FRAME (RH SHOWN)
- ② PANEL DOOR
- ③ PANEL
- ④ PANEL
- ⑪ 90-DEGREE FILLER
- ⑫ TOP TRIM
- ⑬ TOP TRIM CAP
- ⑭ RACEWAY

**Figure 10**

### Tools & Hardware Needed

8393-0231				
				
Top Trim Cap				

# 3-Way Connection – 1 Door



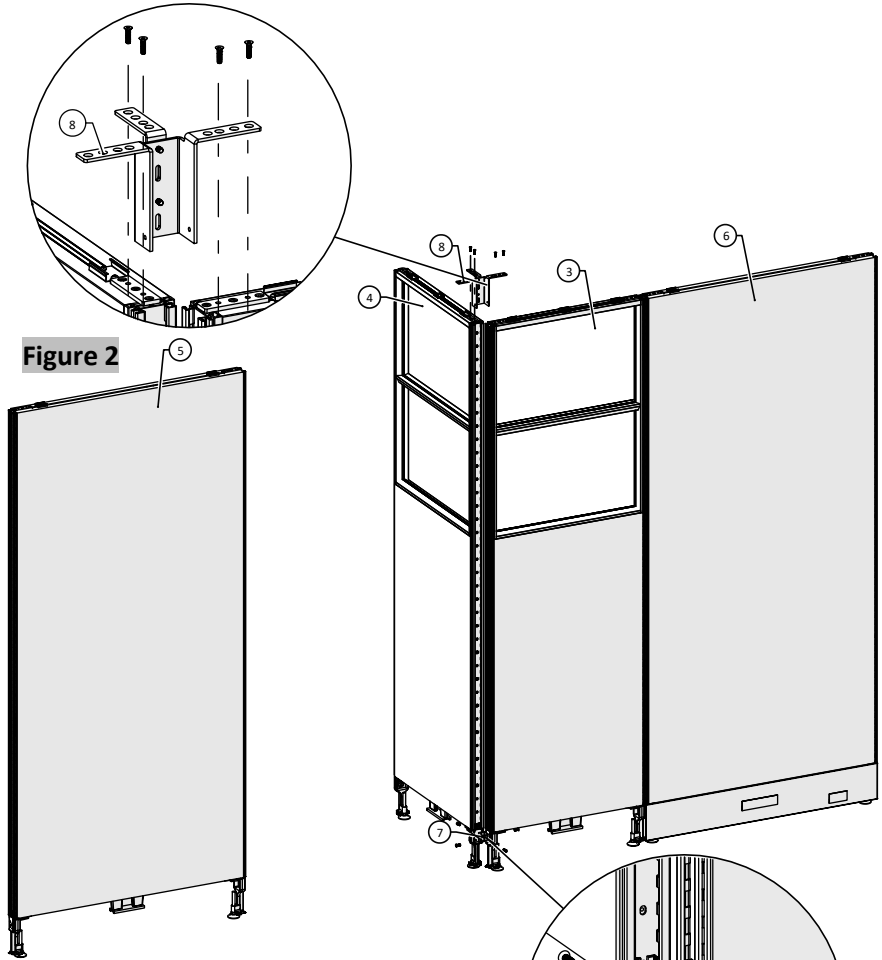
- ① PANEL DOOR FRAME, LH/RH (RH SHOWN)
- ② PANEL DOOR, LH/RH (RH SHOWN)
- ③ PANEL 1
- ④ PANEL 2
- ⑤ PANEL 3
- ⑥ PANEL 4

# 3-Way Connection – 1 Door

**Caution:** Do not use #8 X 1-1/4" Flat Head Screws (8540-1008) and #8 X 1-1/2" Washer Head Screws (8540-1185) to connect Glass or Acrylic panels.

1. Position the panels (Panel 1 and Panel 2) to create a 90-degree angle and level them accordingly.
2. Attach the bottom corner bracket to the leg of Panel 1 and Panel 2 using M6 X 16MM Flat Machine Screws, (Figure 1).
3. Position the 3-way panel door top connector U-bracket; fasten the 3-way door top connector U-bracket to the top of Panels 1 and 2 using #8-32 X 5/8" Flat Head Square Drive Screw.



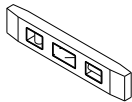
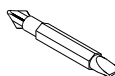
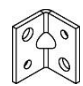
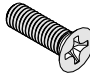
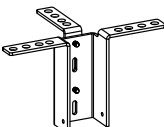

Continued on the next page >>



- 3 PANEL 1
- 4 PANEL 2
- 5 PANEL 3
- 6 PANEL 4
- 7 BOTTOM CORNER BRACKET
- 8 3-WAY PANEL DOOR TOP CONNECTOR U BRACKET

**Figure 1**

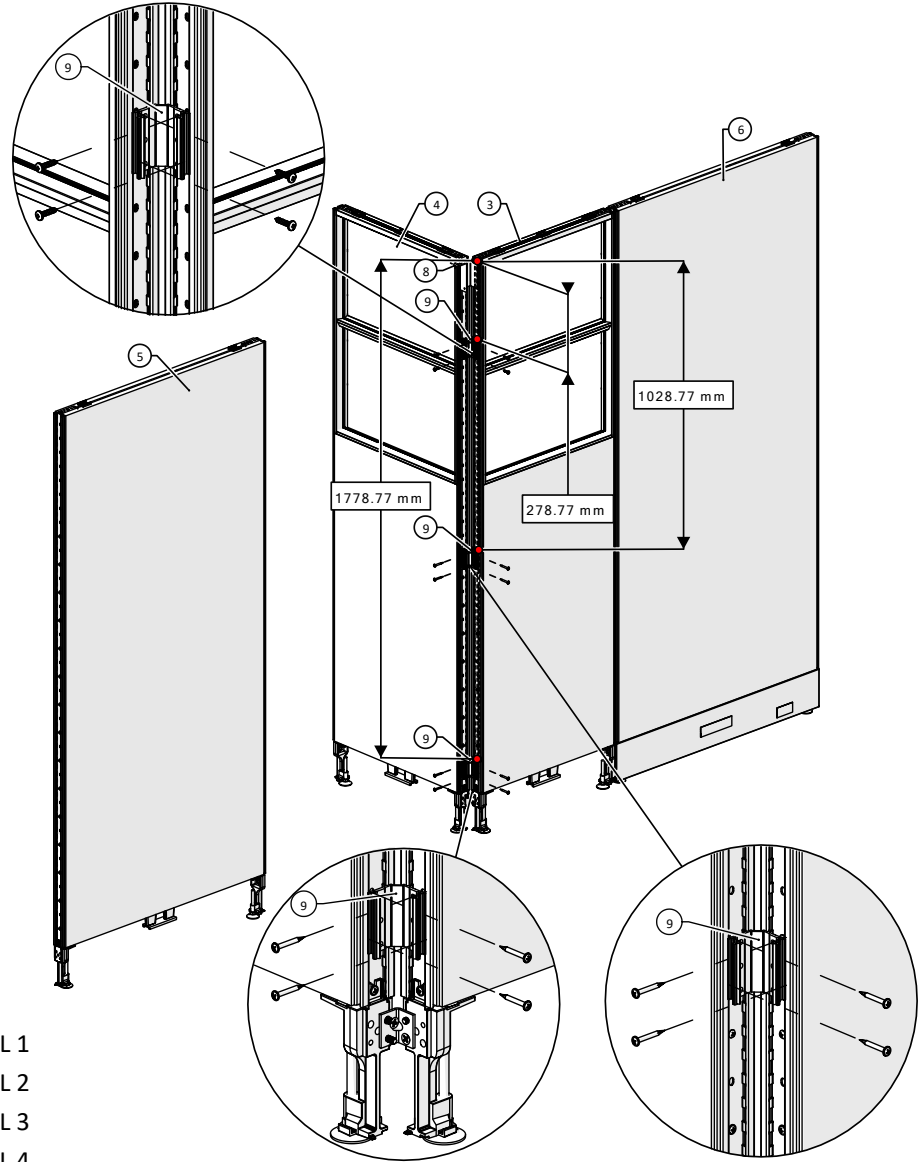
## Tools & Hardware Needed

				8393-0044 
Drill	Robertson #2 Long Bit	Torpedo Level	Phillips #2 Bit or Robertson #2 Bit	Bottom Corner Bracket
8540-1205 	8406-0033 	8540-1196 		
M6 X 16MM Flat Machine Screw	90° Filler Connector	#8-32 x 5/8" Flat Head Screw		

# 3-Way Connection – 1 Door

4. Securely fasten the 90-degree filler connector to the panels (Panel 1 and Panel 2). For the glass or acrylic portion of the panel, use #10-32 X 1" Round Head Screws. For the portion of the panel without glass or acrylic, use #8 X 1-1/2" Washer Head Screws, (Figure 3).


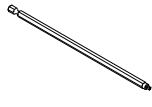
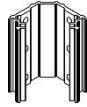


Continued on the next page >>



- ③ PANEL 1
- ④ PANEL 2
- ⑤ PANEL 3
- ⑥ PANEL 4
- ⑨ 90° FILLER CONNECTOR

**Figure 3**

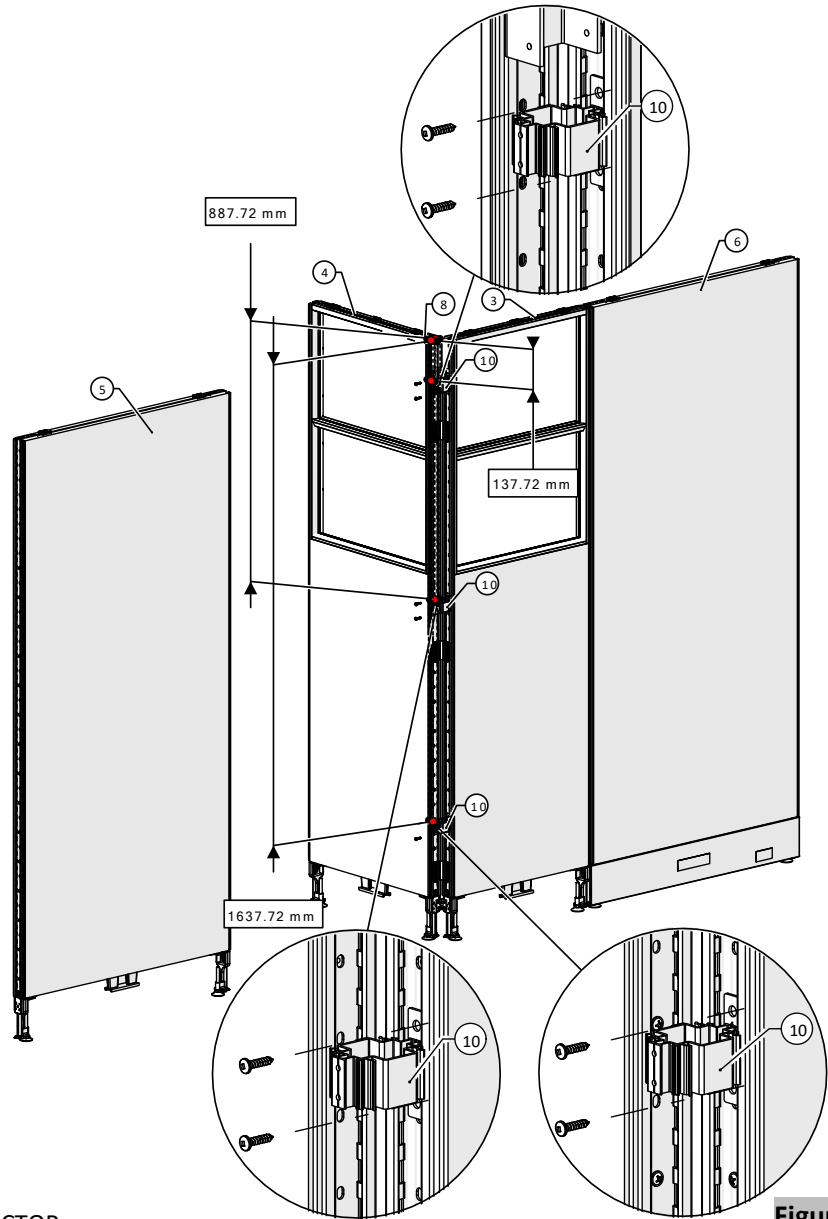
### Tools & Hardware Needed

		8406-0033 	8540-1185 	8540-0557 
Drill	Robertson #2 Long Bit	90° Filler Connector	#8 X 1-1/2" Washer Head Screw	#10-32 x 1" Round Head Screw

# 3-Way Connection – 1 Door

- Securely fasten the “T” filler connector to the panel (Panel 1) using a #10 X 7/8” L Self Tapping Screw, (Figure 4).


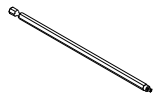
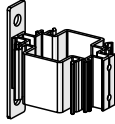

Continued on the next page >>



- ③ PANEL 1
- ④ PANEL 2
- ⑤ PANEL 3
- ⑥ PANEL 4
- ⑩ “T” FILLER CONNECTOR

**Figure 4**

### Tools & Hardware Needed

		8406-0034 	8540-1380 	
Drill	Robertson #2 Long Bit	T- Filler Connector	#10 X 7/8” L Self Tapping TH Screw	

# 3-Way Connection – 1 Door

- 6. Attach 90-degree filler connectors to the door frame using #10 X 7/8" L Self Tapping Truss Head Screws, (Figure 5).
- 7. Attach the 3-Way or 4-Way connector to the door frame #10 X 7/8" L Self Tapping Truss Head Screws, (Figure 6).

Continued on the next page >>

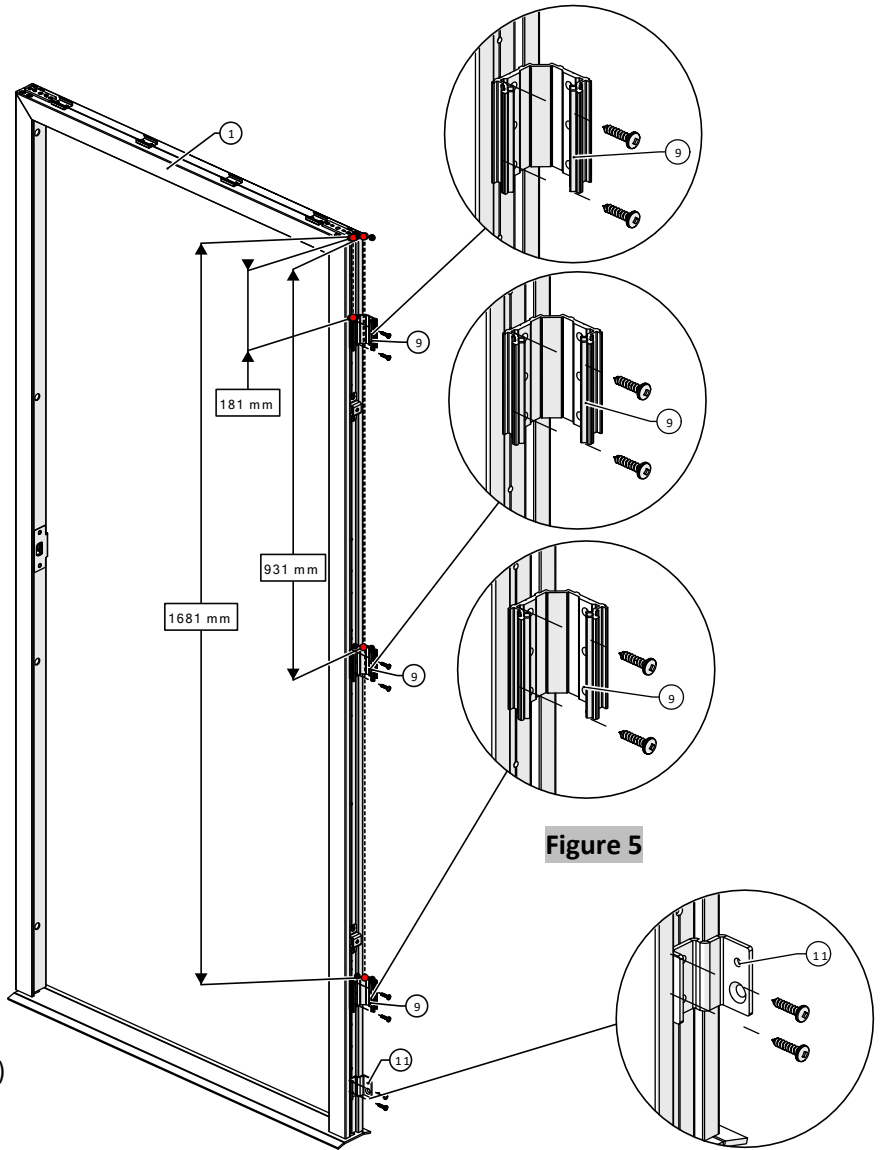

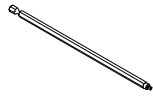
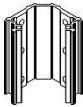
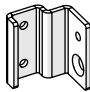



Figure 6

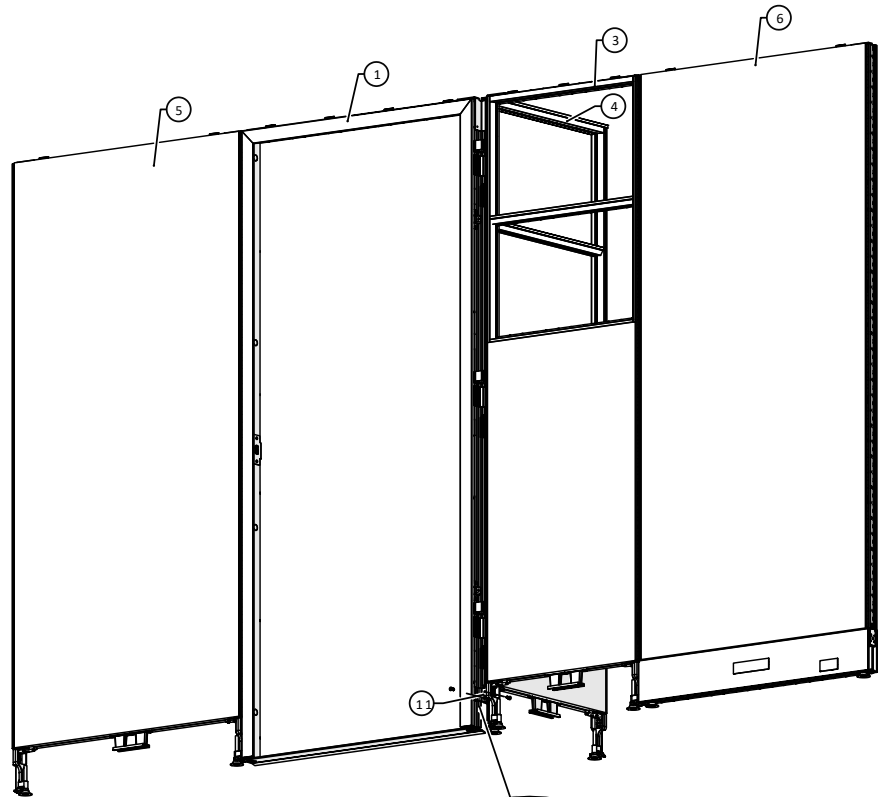
### Tools & Hardware Needed

		8406-0033 	8485-0710 	8540-1380 
Drill	Robertson #2 Long Bit	90° Filler Connector	3-Way or 4-Way Connector	#10 X 7/8" L Self Tapping TH Screw

# 3-Way Connection – 1 Door

- 8. Position the panel door frame to create a 3-way panel connection and level them accordingly.
- 9. Attach a 3-way or 4-way connector to the leg of the panel (Panel 2), using two M6 X 16MM Flat Machine Screws, (Figure 7).

Continued on the next page >>



- ① PANEL DOOR FRAME (RH SHOWN)
- ③ PANEL 1
- ④ PANEL 2
- ⑤ PANEL 3
- ⑥ PANEL 4
- ⑪ 3-WAY OR 4-WAY CONNECTOR

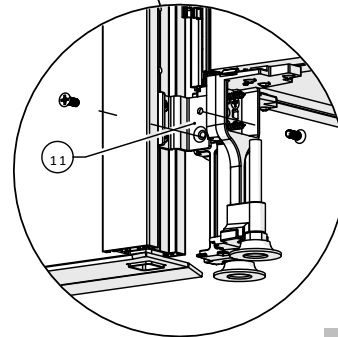
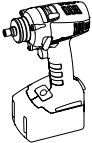
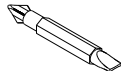

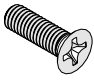


Figure 7

### Tools & Hardware Needed

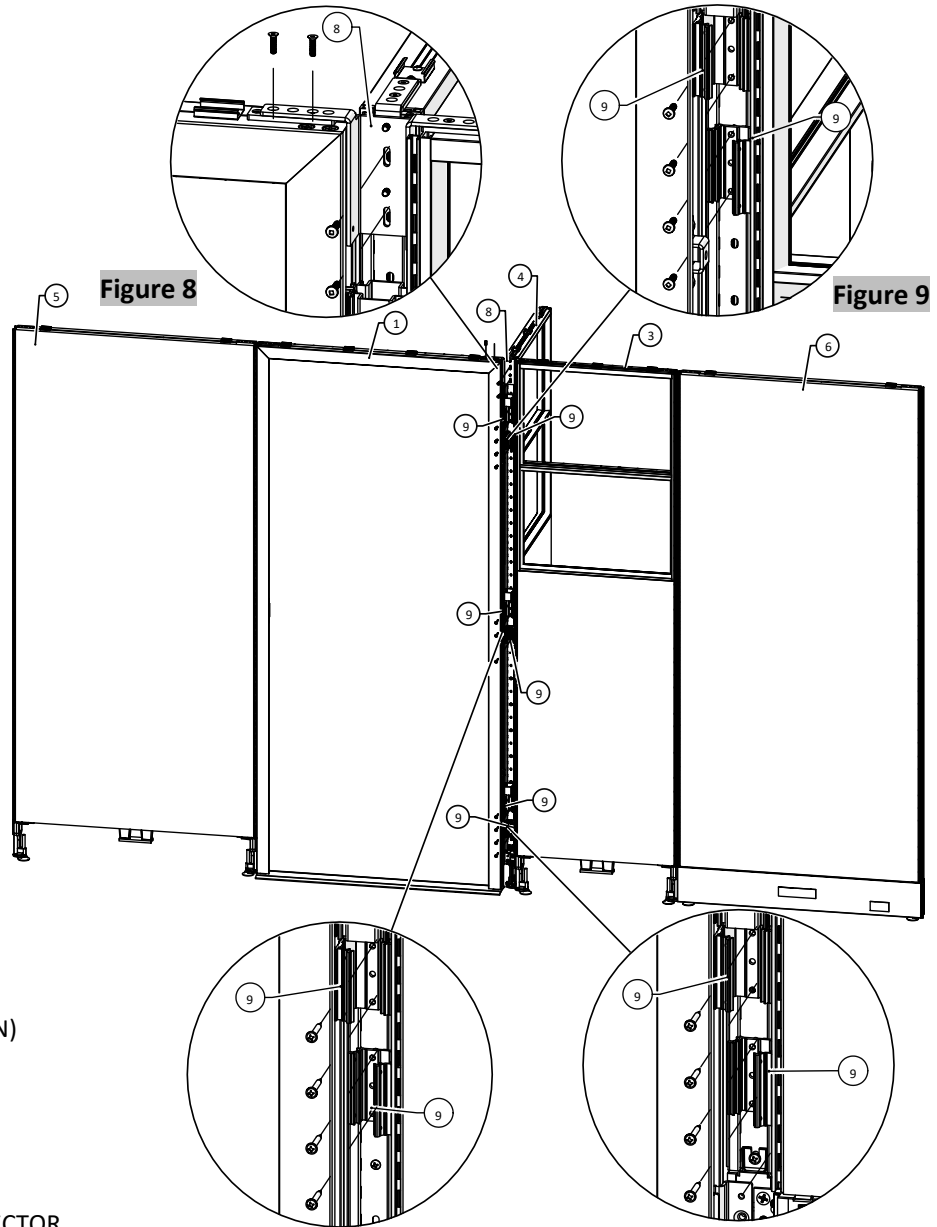
			8540-1205 	
Drill	Phillips #2 Bit or Robertson #2 Bit	Robertson #2 Long Bit	M6 X 16MM Flat Machine Screw	



# 3-Way Connection – 1 Door

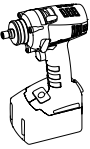
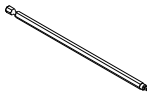

- 10.** Securely fasten the 3-way panel door top connector U-bracket to the top panel door frame using #8-32 X 5/8" Flat Head Square Drive Screw and to the side of the panel (Panel 2). For the glass or acrylic portion of the panel, use #10 X 7/8"L Self Tapping Truss Head Screws. For the panel without glass or an acrylic portion, use #8 X 1-1/2" Washer Head Screws, (Figure 8).
- 11.** Securely fasten the 90° Filler connectors to the panel (Panel 2). For the glass or acrylic portion of the panel, use #10-32 X 1" Round Head Screws. For the panel without glass or an acrylic portion, use #8 X 1-1/2" Washer Head Screws, (Figure 9).
- 12.** Follow **Step 11** above to secure the remaining 90-degree filler connectors.

Continued on the next page >>



- ① PANEL DOOR FRAME (RH SHOWN)
- ③ PANEL 1
- ④ PANEL 2
- ⑤ PANEL 3
- ⑥ PANEL 4
- ⑧ 3-WAY PANEL DOOR TOP CONNECTOR U-BRACKET
- ⑨ 90° FILLER CONNECTOR

### Tools & Hardware Needed

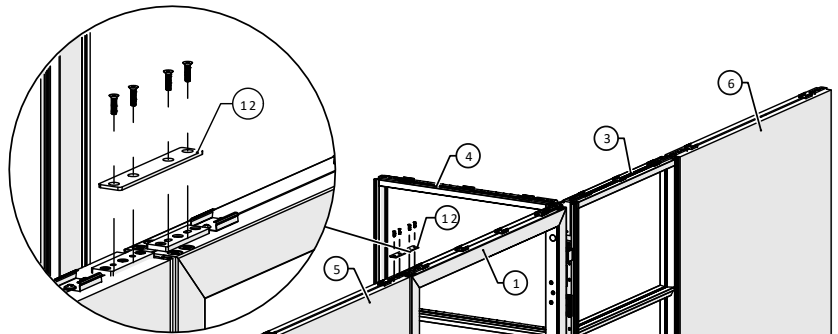
		8540-1196	8540-1380	8540-0557
Drill	Robertson #2 Long Bit	#8-32 x 5/8" Flat Head Screw	#10 X 7/8" L Self Tapping TH Screw	#10-32 x 1" RH Screw
8540-1185				
#8 x 1-1/2" Washer Head Screw				

# 3-Way Connection – 1 Door

**13.** Attach the top connector (countersink face up) between the topside of the panel door frame and panel (Panel 3) using #8-32 X 5/8" Flat Head Square Drive Screw, (Figure 10).

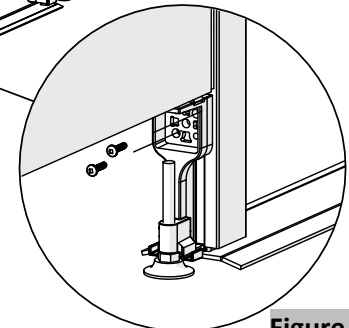
**14.** Secure the base of the panel door frame to the panel (Panel 3) using #10 X 7/8" L Self Tapping Truss Head Screws, (Figure 11).

Continued on the next page >>



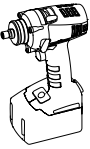

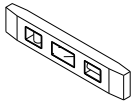
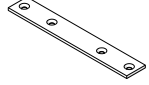


**Figure 10**

- ① PANEL DOOR FRAME (RH SHOWN)
- ③ PANEL 1
- ④ PANEL 2
- ⑤ PANEL 3
- ⑥ PANEL 4
- ⑫ TOP CONNECTOR



**Figure 11**

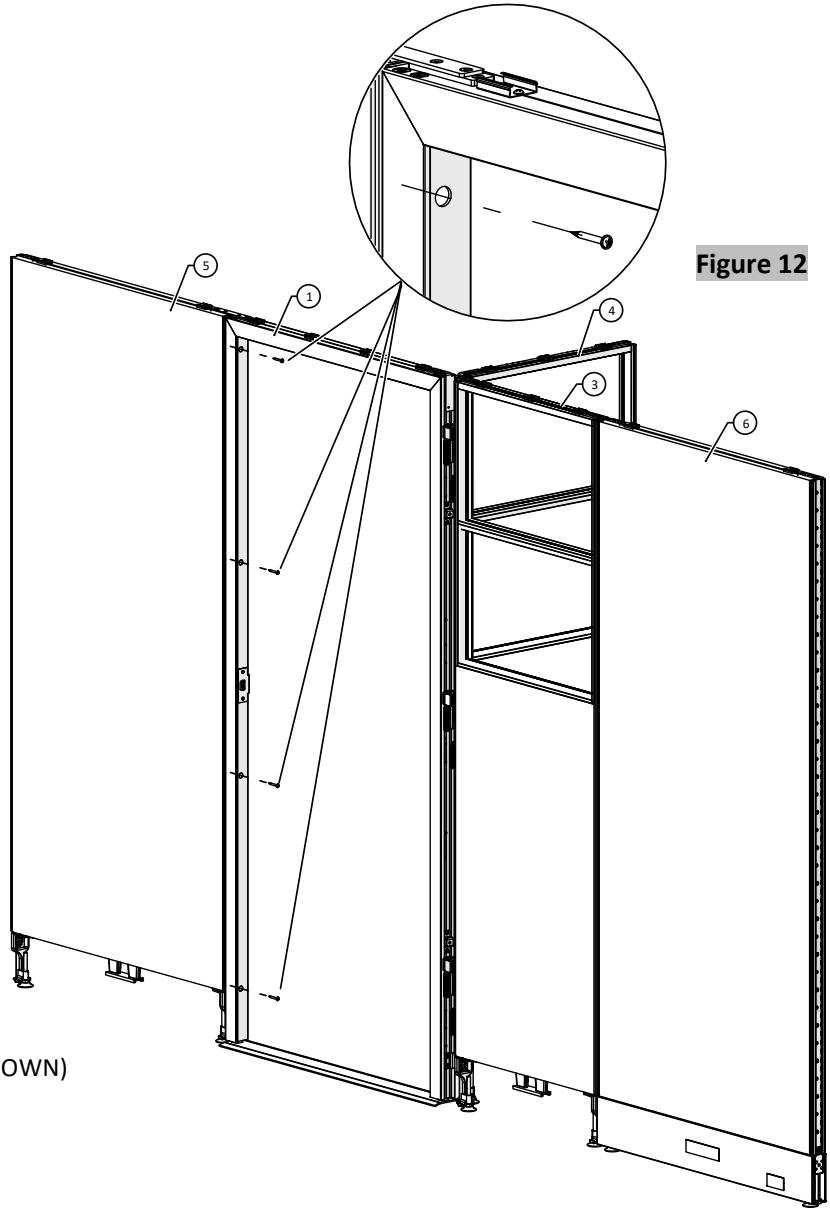
## Tools & Hardware Needed

			8393-0040 	8540-1196 
Drill	Robertson #2 Long Bit	Torpedo Level	Top Connector Panel to Panel	#8-32 x 5/8" Flat Head Screw
8540-1380 				
#10 X 7/8" L Self Tapping TH Screw				

# 3-Way Connection – 1 Door

**15.** Securely fasten the panel door frame to the panel (Panel 3). For the glass or acrylic portion of the panel, use #10 X 7/8" L Self Tapping Truss Head Screws. For the panel without glass or an acrylic portion, use #8 X 1-1/2" Washer Head Screws, (Figure 12).

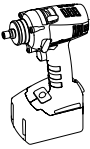



Continued on the next page >>



**Figure 12**

- ① PANEL DOOR FRAME (RH SHOWN)
- ③ PANEL 1
- ④ PANEL 2
- ⑤ PANEL 3
- ⑥ PANEL 4

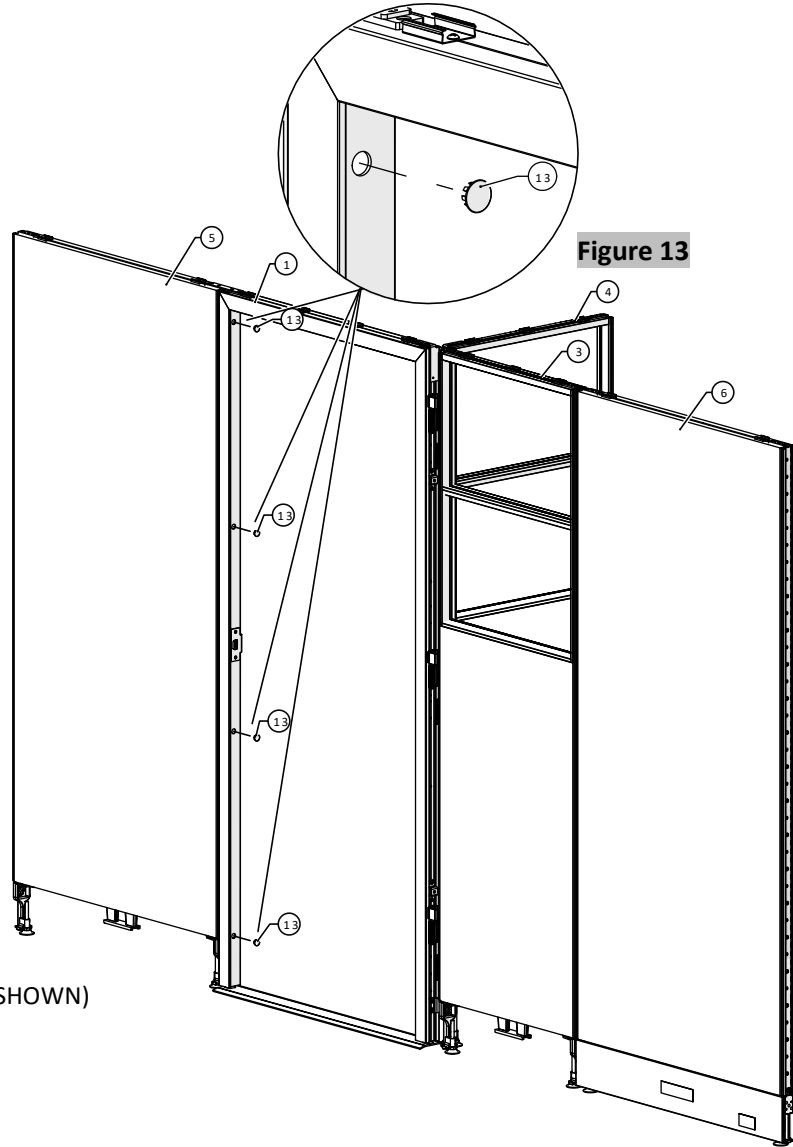
### Tools & Hardware Needed

		8540-1185 	8540-1380 	
Drill	Robertson #2 Long Bit	#8 X 1-1/2" Washer Head Screw	#10 X 7/8" L Self Tapping TH Screw	

# 3-Way Connection – 1 Door

**16.** Snap in the metal plugs into the holes of the door frame, (Figure 13).

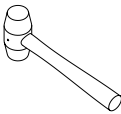

Continued on the next page >>



**Figure 13**

- ① PANEL DOOR FRAME (RH SHOWN)
- ③ PANEL 1
- ④ PANEL 2
- ⑤ PANEL 3
- ⑥ PANEL 4
- ⑬ METAL SNAP-IN PLUG

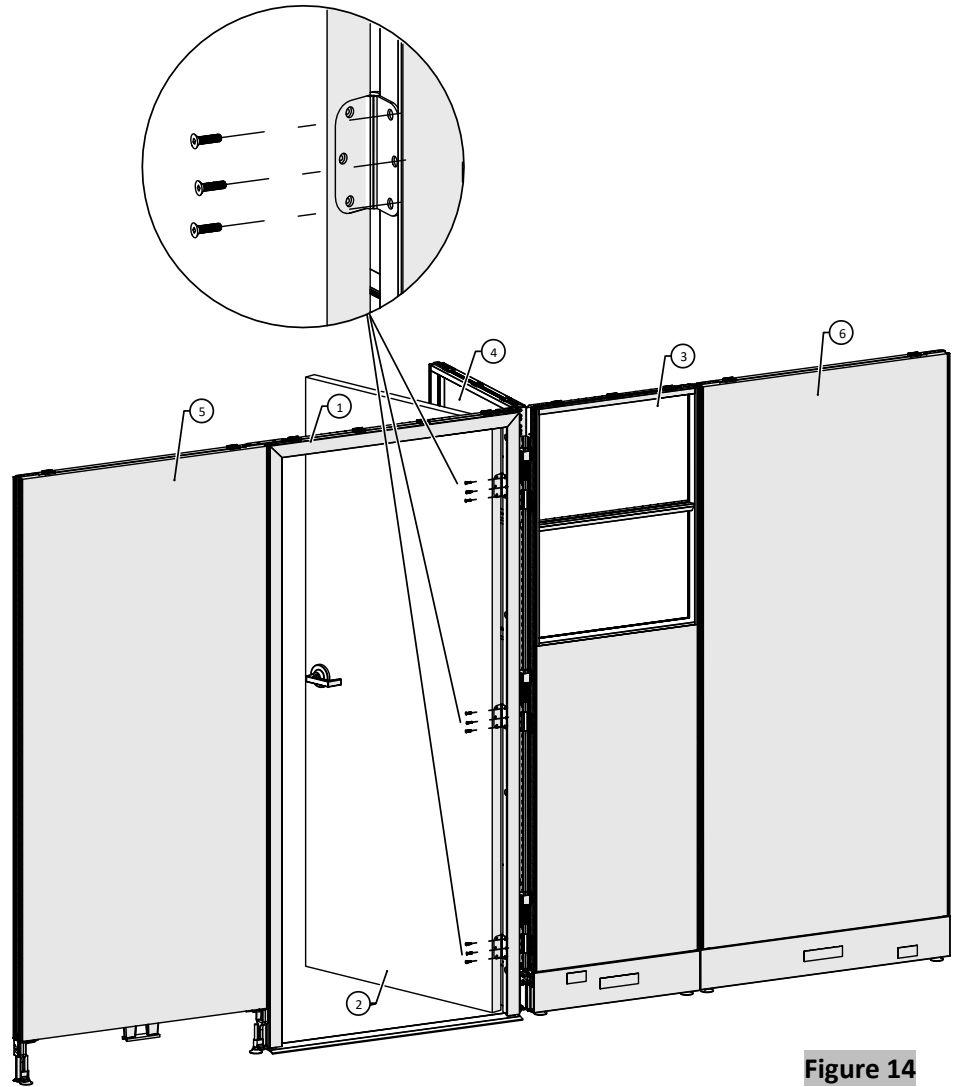
**Tools & Hardware Needed**

	8540-1377 			
Rubber Mallet	Metal Snap-in Plug F/ 15/32" Hole			

# 3-Way Connection – 1 Door

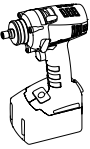
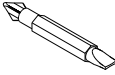
- 17.** Install the panel door to the panel door frame using the screws provided, (Figure 14).
- 18.** Install the door handle.

Continued on the next page >>



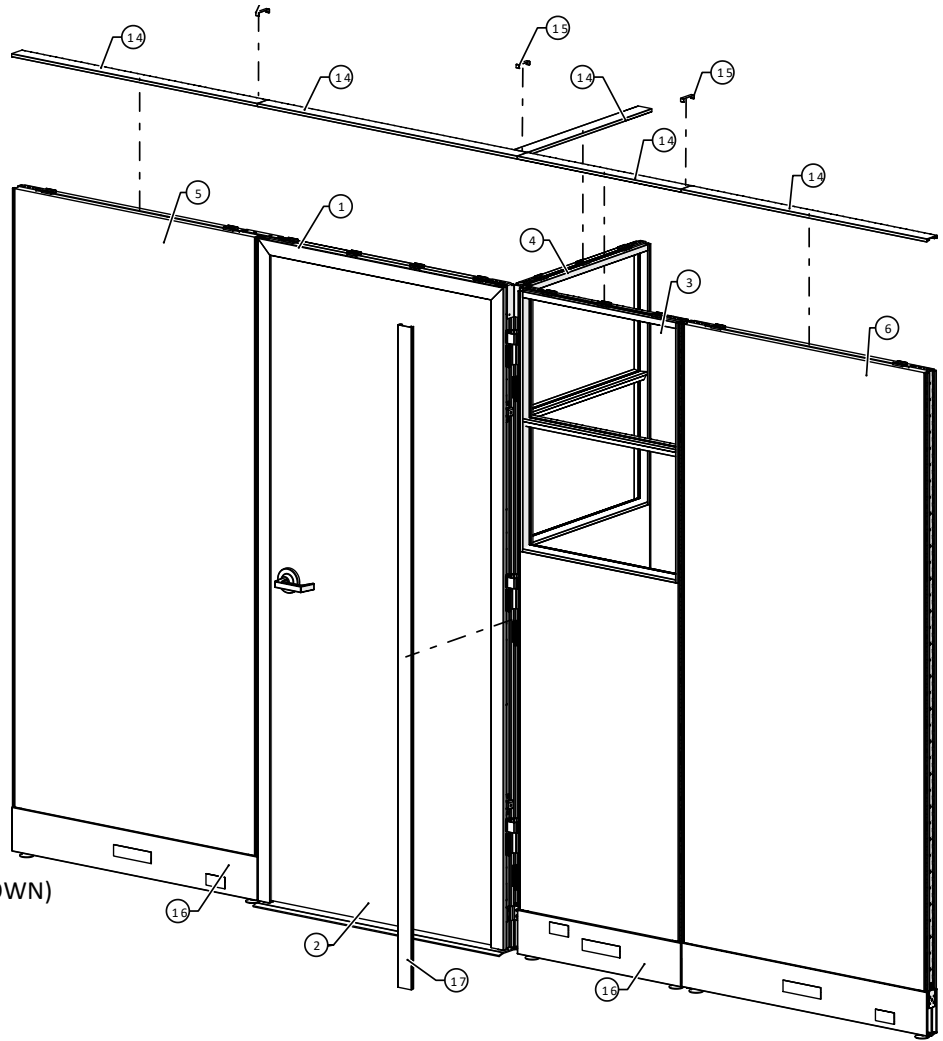
**Figure 14**

### Tools & Hardware Needed

				
Drill	Phillips Bit			

# 3-Way Connection – 1 Door

**19.** Install the 3-way or “T” Filler, top trims, top trim caps, and raceways, (Figure 15). Please see the “T” Filler, Top Trim, Top Trim Cap, and Raceway Installation instructions.



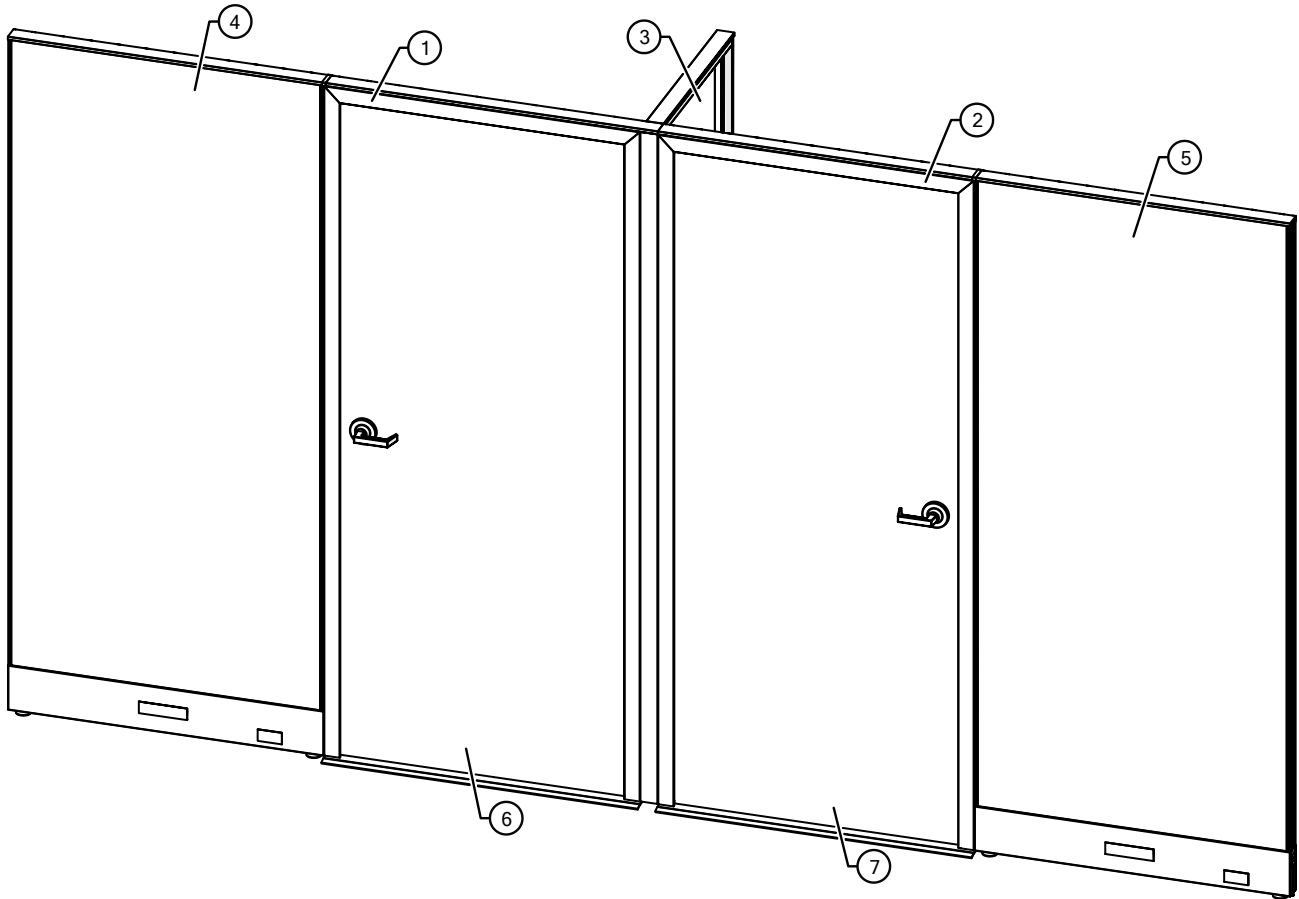
- ① PANEL DOOR FRAME (RH SHOWN)
- ② PANEL DOOR (RH SHOWN)
- ③ PANEL 1
- ④ PANEL 2
- ⑤ PANEL 3
- ⑥ PANEL 4
- ⑭ TOP TRIM
- ⑮ TOP TRIM CAP
- ⑯ RACEWAY
- ⑰ 3-WAY or “T” FILLER

**Figure 15**

### Tools & Hardware Needed


## 3-Way Connection – 2 Doors

---



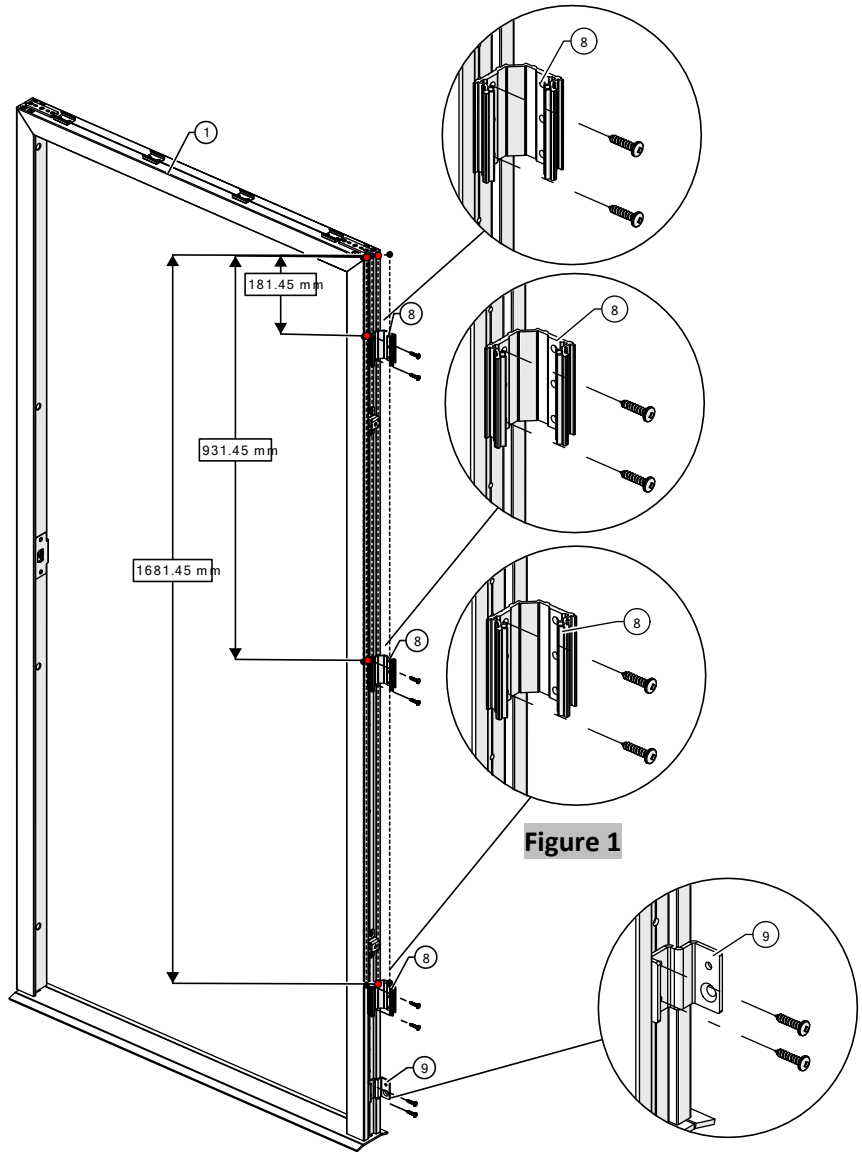
- ① PANEL DOOR FRAME 1, LH/RH (RH SHOWN)
- ② PANEL DOOR FRAME 2, LH/RH (LH SHOWN)
- ③ PANEL 1
- ④ PANEL 2
- ⑤ PANEL 3
- ⑥ PANEL DOOR, LH/RH (RH SHOWN)
- ⑦ PANEL DOOR, LH/RH (LH SHOWN)

# 3-Way Connection – 2 Doors

**Caution:** Do not use #8 X 1-1/4" Flat Head Screws (8540-1008) and #8 X 1-1/2" Washer Head Screws (8540-1185) to connect Glass or Acrylic panels.

1. Attach 90-degree filler connectors to the door frame (Panel Door Frame 1) using #10 X 7/8" L Self Tapping Truss Head Screws, (Figure 1).
2. Attach the 3-way or 4-way connector to the door frame #10 X 7/8" L Self Tapping Truss Head Screws, (Figure 2).

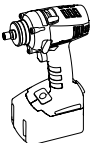

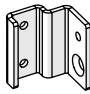
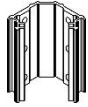

Continued on the next page >>



- ① PANEL DOOR FRAME 1 (RH SHOWN)
- ⑧ 90° FILLER CONNECTOR
- ⑨ 3-WAY CONNECTOR

**Figure 2**

### Tools & Hardware Needed

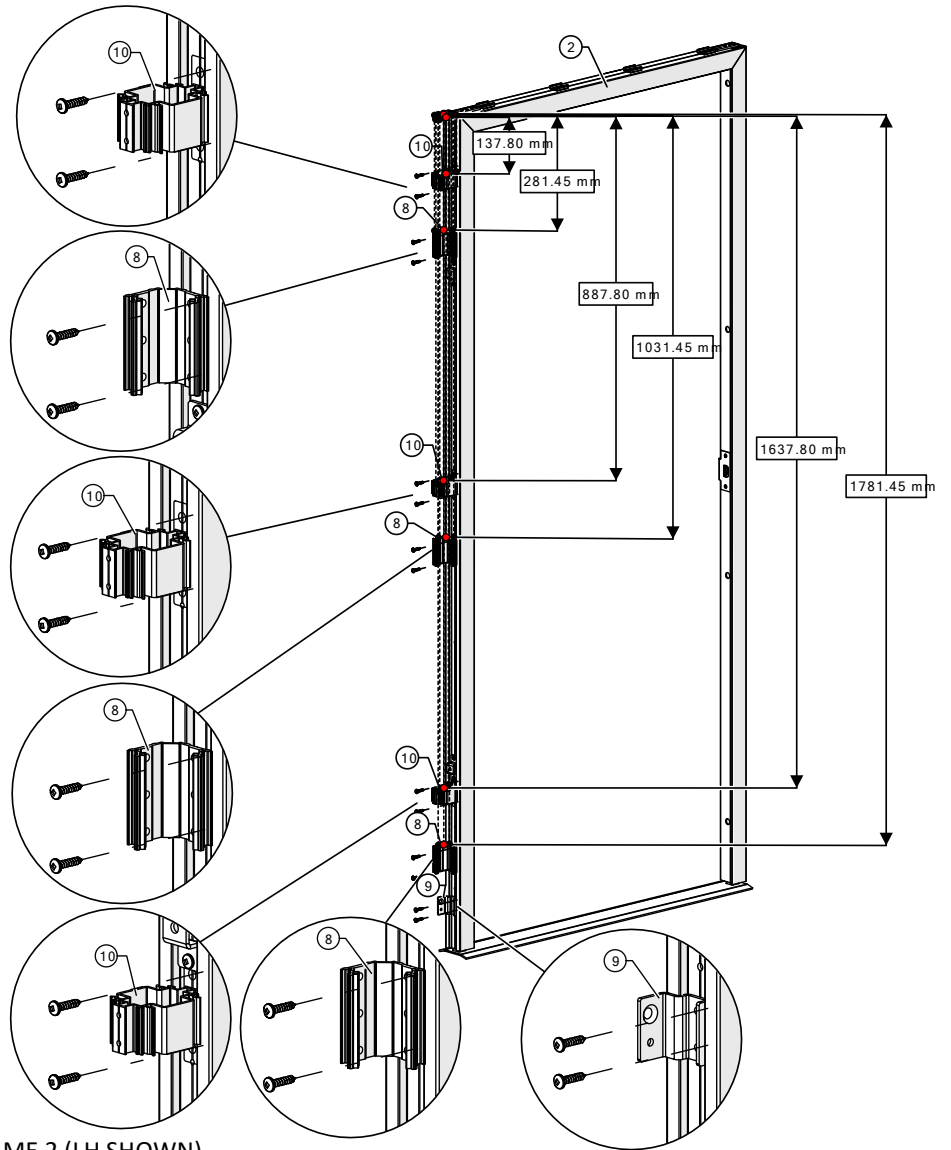
		8485-0710 	8406-0033 	8540-1380 
Drill	Robertson #2 Long Bit	3-Way or 4-Way Connector	90° Filler Connector	#10 X 7/8" L Self-Tapping TH Screw



# 3-Way Connection – 2 Doors

**3.** Attach 90-degree filler, "T" filler, and 3-way or 4-way connectors to the door frame (Panel Door Frame 2) using #10 X 7/8" L Self Tapping Truss Head Screws, (Figure 3).

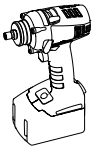

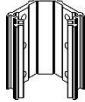
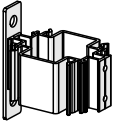

Continued on the next page >>



- ① PANEL DOOR FRAME 2 (LH SHOWN)
- ⑧ 90° FILLER CONNECTOR
- ⑨ 3-WAY/4-WAY CONNECTOR
- ⑩ "T" FILLER CONNECTOR

**Figure 3**

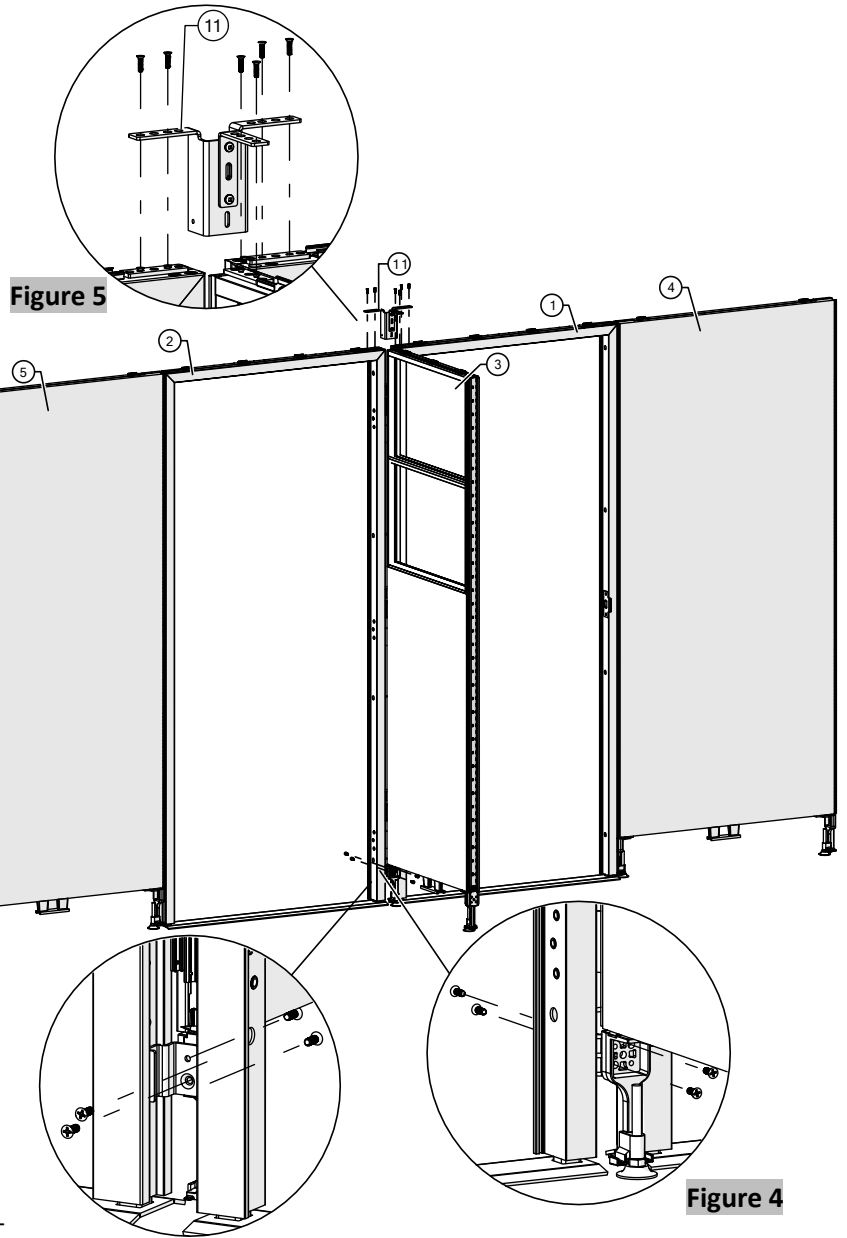
### Tools & Hardware Needed

		8406-0033 	8406-0034 	8540-1380 
Drill	Robertson #2 Long Bit	90° Filler Connector	T- Filler Connector	#10 X 7/8" L Self-Tapping TH Screw

# 3-Way Connection – 2 Doors


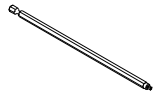
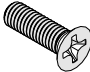
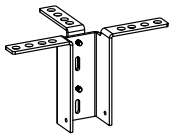

4. Position both panel door frames and panel (Panel 1) to create a 3-way connection and level them accordingly.
5. Securely fasten the base of the panel door frames to the leg of the panel (Panel 1) using M6 X 16MM Flat Machine Screws, (Figure 4).
6. Position and attach the 3-way panel door top connector U-bracket to the top of the panel door frames and panel (Panel 1) using #8-32 X 5/8" Flat Head Square Drive Screw, (Figure 5).

Continued on the next page >>



- ① PANEL DOOR FRAME 1 (RH SHOWN)
- ② PANEL DOOR FRAME 2 (LH SHOWN)
- ③ PANEL 1
- ④ PANEL 2
- ⑤ PANEL 3
- ⑪ 3-WAY TOP CONNECTOR U-BRACKET

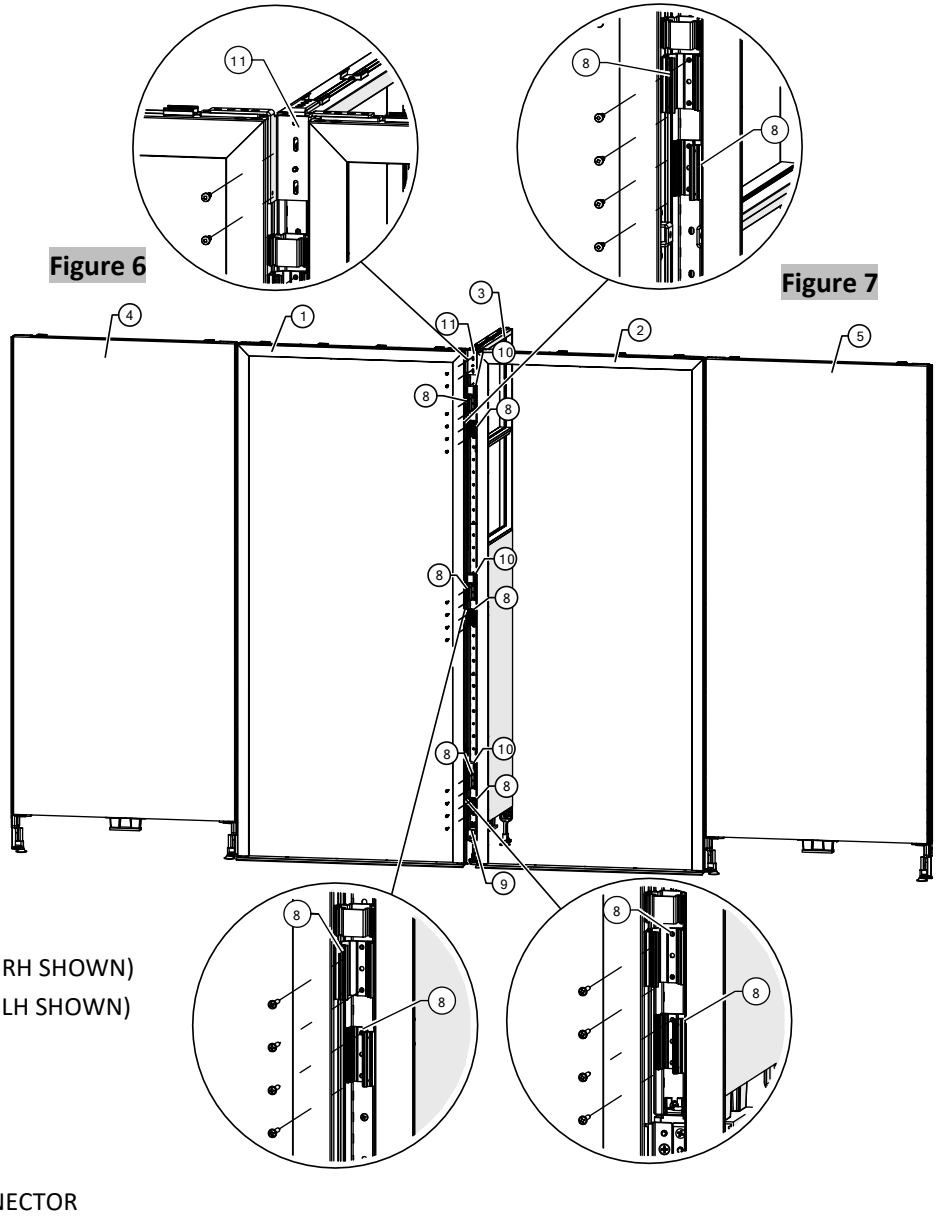
### Tools & Hardware Needed

		8540-1205 	8406-0033 	8540-1196 
Drill	Robertson #2 Long Bit	M6 X 16MM Flat Machine Screw	90° Filler Connector	#8-32 x 5/8" Flat Head Screw

# 3-Way Connection – 2 Doors


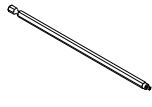


7. Securely fasten the 3-way panel door top connector U-bracket to the panel (Panel 1). For the glass or acrylic portion of the panel, use #10 X 7/8" L Self Tapping Truss Head Screws. For the panel without glass or an acrylic portion, use #8 X 1-1/2" Washer Head Screws, (Figure 6).
8. Securely fasten the 90° Filler connector to the panel (Panel 1). For the glass or acrylic portion of the panel, use #10 X 7/8" L Self Tapping Truss Head Screws. For the panel without glass or an acrylic portion, use #8 X 1-1/2" Washer Head Screws, (Figure 7).
9. Follow Step 8 above to secure the remaining 90-degree filler connectors.

Continued on the next page >>



- ① PANEL DOOR FRAME 1 (RH SHOWN)
- ② PANEL DOOR FRAME 2 (LH SHOWN)
- ③ PANEL 1
- ④ PANEL 2
- ⑤ PANEL 3
- ⑨ 90° FILLER CONNECTOR
- ⑪ 3-WAY OR 4-WAY CONNECTOR

### Tools & Hardware Needed

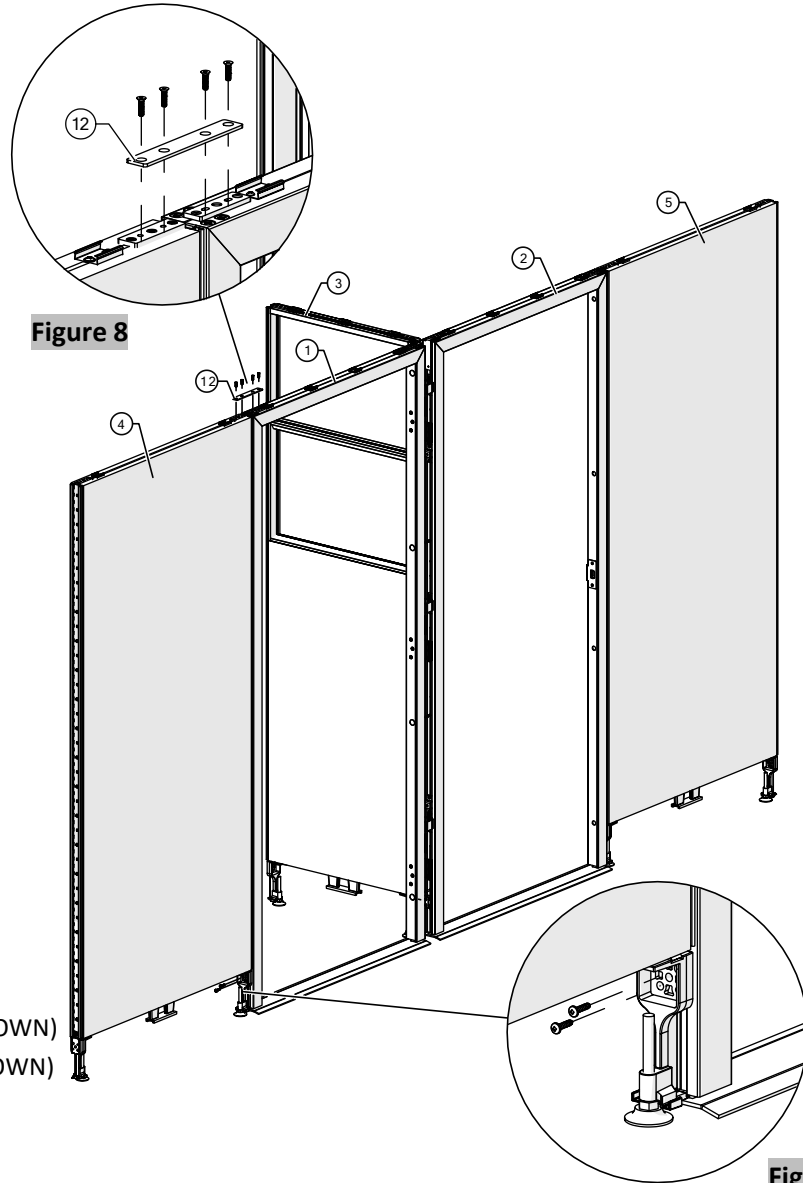
		8540-1380 	8540-1185 	
Drill	Robertson #2 Long Bit	#10 X 7/8" L Self-Tapping TH Screw	#8 X 1-1/2" Washer Head Screw	

# 3-Way Connection – 2 Doors

**10.** Attach the top connector (countersink face up) between the topside of the panel door frame and panel (Panel 2) using #8-32 X 5/8" Flat Head Square Drive Screw, (Figure 8).

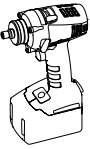

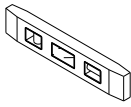
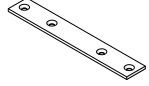

**11.** Secure the base of the panel door frame to the panel (Panel 2) using #10 X 7/8"L Self Tapping Truss Head Screws, (Figure 9).

Continued on the next page >>



- ① PANEL DOOR FRAME 1 (RH SHOWN)
- ② PANEL DOOR FRAME 2 (LH SHOWN)
- ③ PANEL 1
- ④ PANEL 2
- ⑤ PANEL 3
- ⑫ TOP CONNECTOR

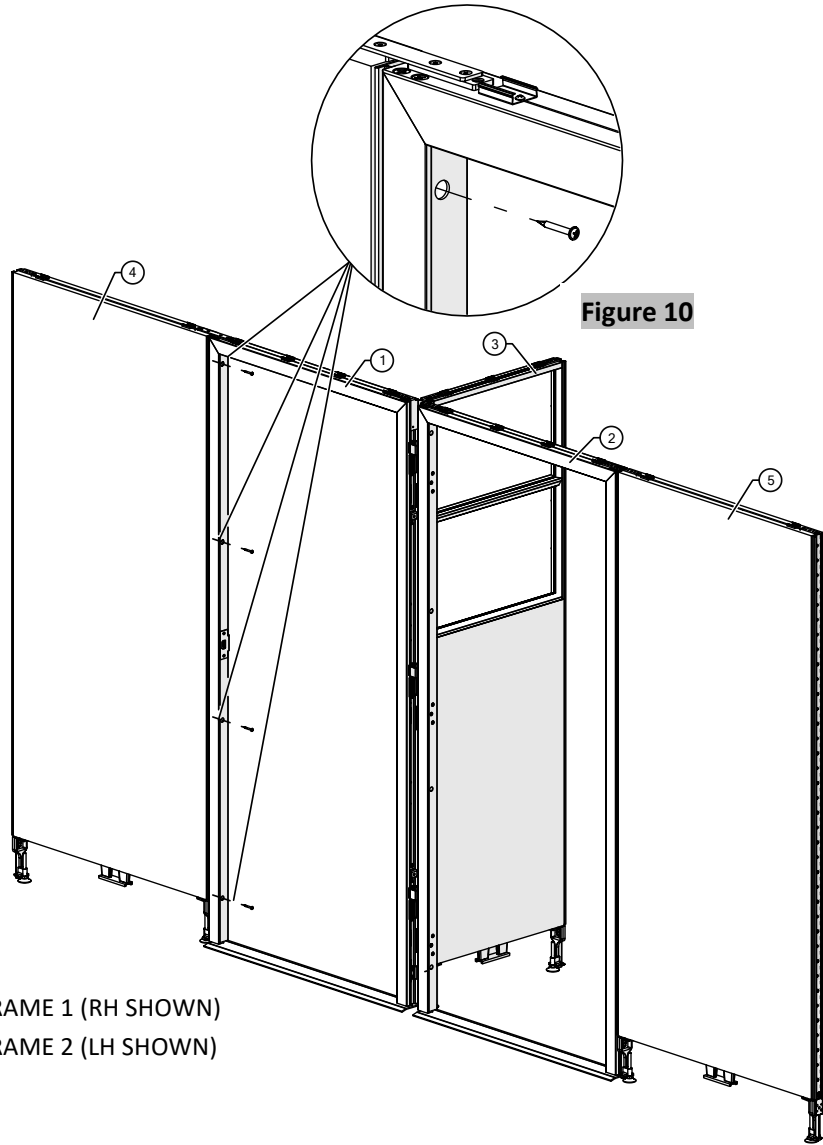
### Tools & Hardware Needed

			8393-0040 	8540-1196 
Drill	Robertson #2 Long Bit	Torpedo Level	Top Connector Panel to Panel	#8-32 x 5/8" Flat Head Screw

# 3-Way Connection – 2 Doors

**12.** Securely fasten the panel door frame to the panel (Panel 2). For the glass or acrylic portion of the panel, use #10 X 7/8" L Self Tapping Truss Head Screws. For the panel without glass or an acrylic portion, use #8 X 1-1/2" Washer Head Screws, (Figure 10).

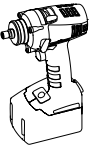



Continued on the next page >>



**Figure 10**

- ① PANEL DOOR FRAME 1 (RH SHOWN)
- ② PANEL DOOR FRAME 2 (LH SHOWN)
- ③ PANEL 1
- ④ PANEL 2
- ⑤ PANEL 3

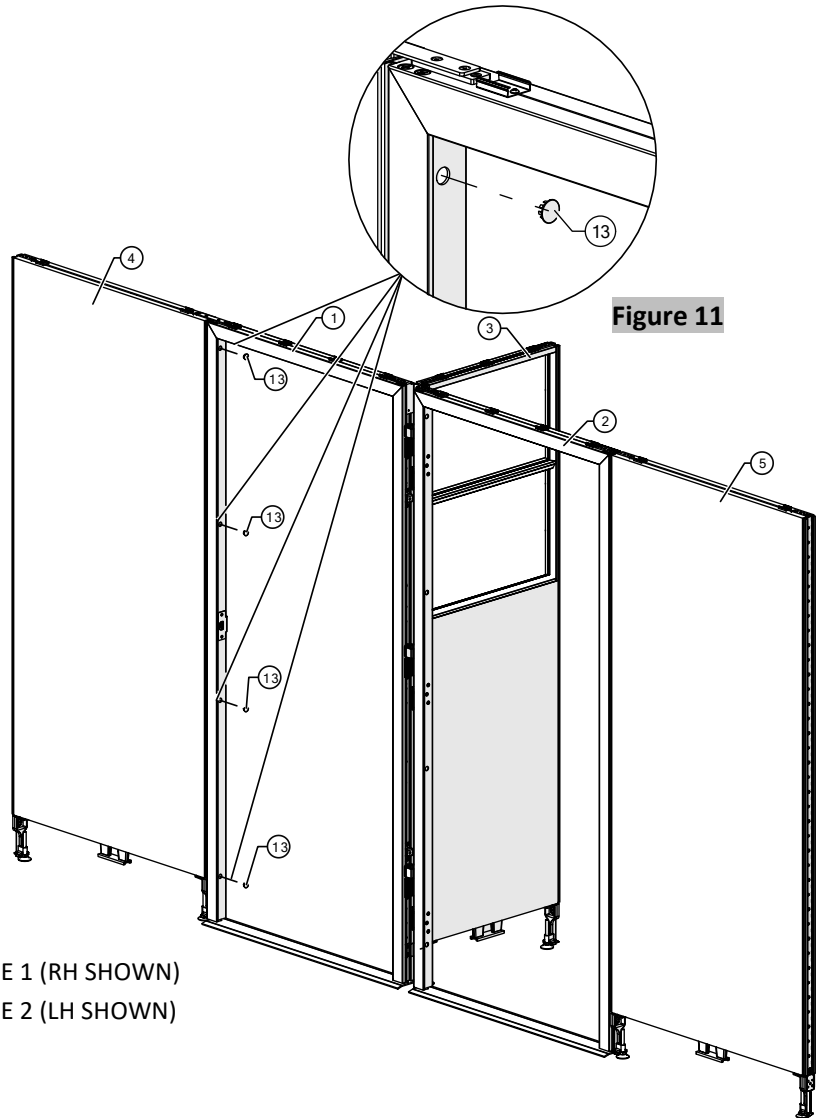
### Tools & Hardware Needed

		8540-1380 	8540-1185 	
Drill	Robertson #2 Long Bit	#10 X 7/8" L Self-Tapping TH Screw	#8 X 1-1/2" Washer Head Screw	

# 3-Way Connection – 2 Doors

**13.** Snap in the metal plugs into the holes of the door frame, (Figure 11).

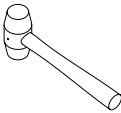

Continued on the next page >>



**Figure 11**

- ① PANEL DOOR FRAME 1 (RH SHOWN)
- ② PANEL DOOR FRAME 2 (LH SHOWN)
- ③ PANEL 1
- ④ PANEL 2
- ⑤ PANEL 3
- ⑬ METAL SNAP-IN PLUG

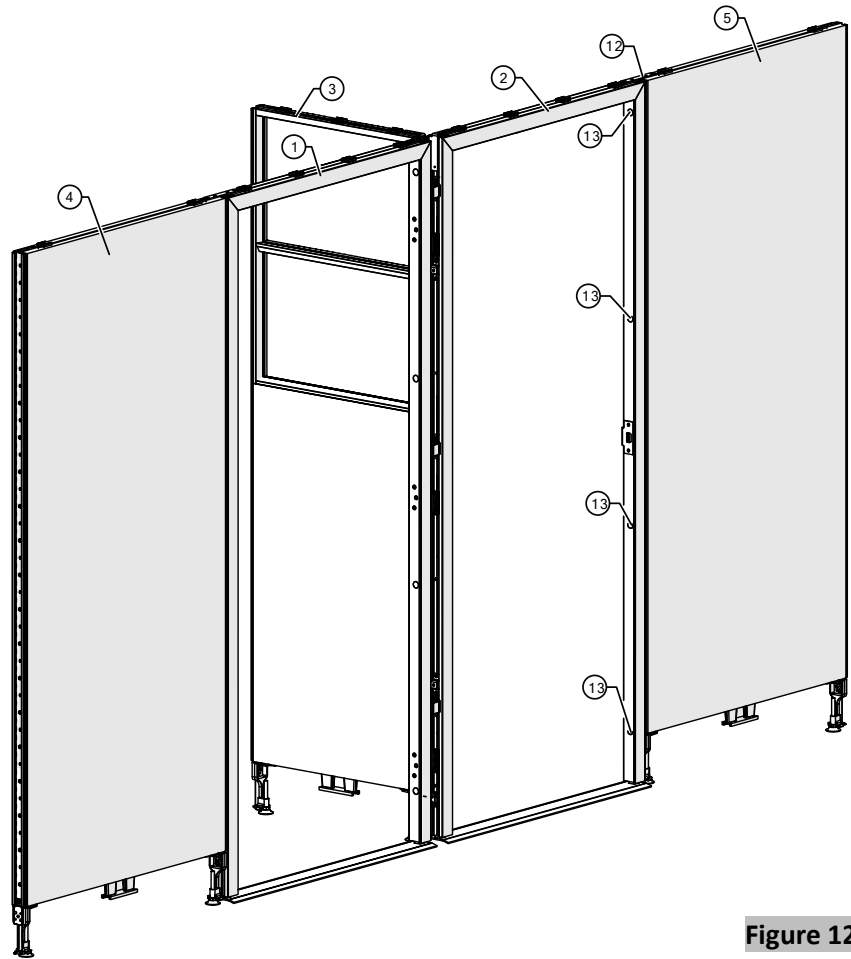
### Tools & Hardware Needed

	8540-1377 			
Rubber Mallet	Metal Snap-in Plug F/ 15/32" Hole			

## 3-Way Connection – 2 Doors

**14.** Attach the other panel door frame to the panel (Panel 3); follow **Steps 10 – 13**, (Figure 12).

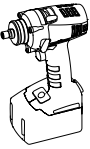
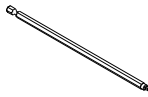
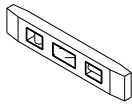
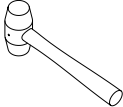
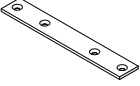




Continued on the next page >>



**Figure 12**

- ① PANEL DOOR FRAME 1 (RH SHOWN)
- ② PANEL DOOR FRAME 2 (LH SHOWN)
- ③ PANEL 1
- ④ PANEL 2
- ⑤ PANEL 3
- ⑫ TOP CONNECTOR
- ⑬ METAL SNAP-IN PLUG

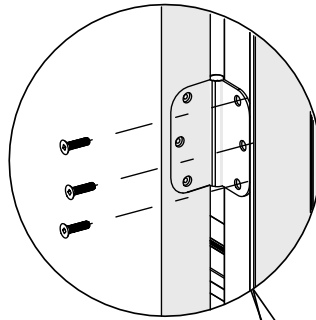
### Tools & Hardware Needed

				8393-0040 
Drill	Robertson #2 Long Bit	Torpedo Level	Rubber Mallet	Top Connector Panel to Panel
8540-1196 	8540-1380 	8540-1185 	8540-1377 	
#8-32 x 5/8" Flat Head Screw	#10 X 7/8" L Self Tapping TH Screw	#8 X 1-1/2" Washer Head Screw	Metal Snap-in Plug F/ 15/32" Hole	

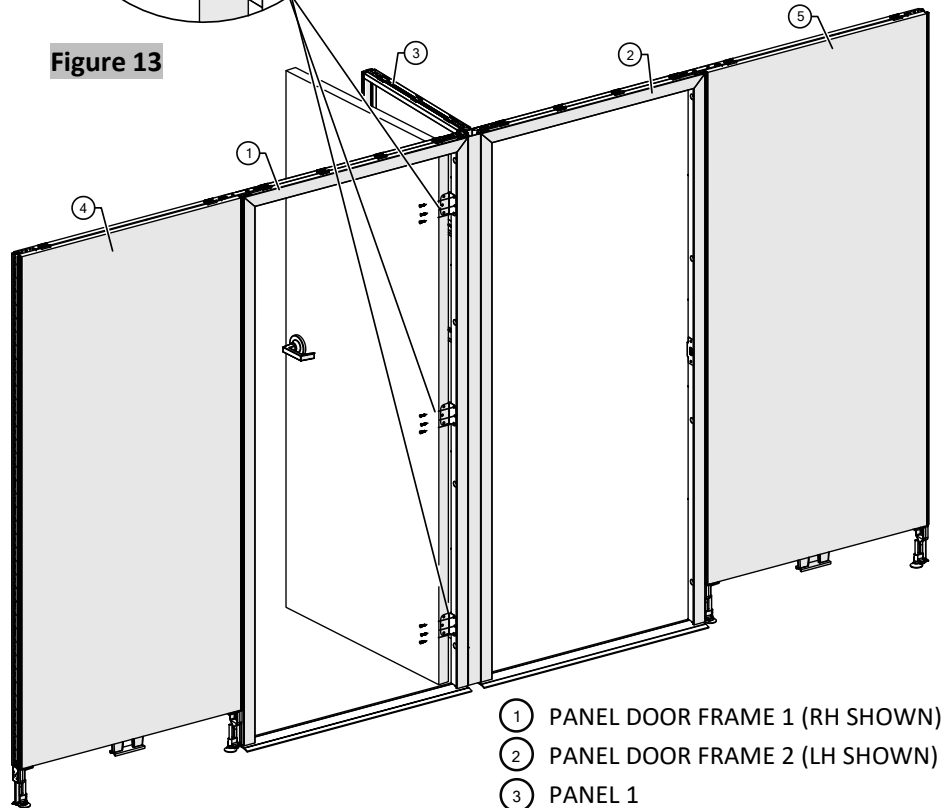
# 3-Way Connection – 2 Doors

- 16.** Install the panel door to the panel door frame using the screws provided, (Figure 13).
- 17.** Install the door handle.

Continued on the next page >>

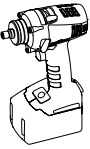
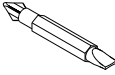


**Figure 13**



- ① PANEL DOOR FRAME 1 (RH SHOWN)
- ② PANEL DOOR FRAME 2 (LH SHOWN)
- ③ PANEL 1
- ④ PANEL 2
- ⑤ PANEL 3
- ⑥ PANEL DOOR 1 (RH SHOWN)

**Tools & Hardware Needed**

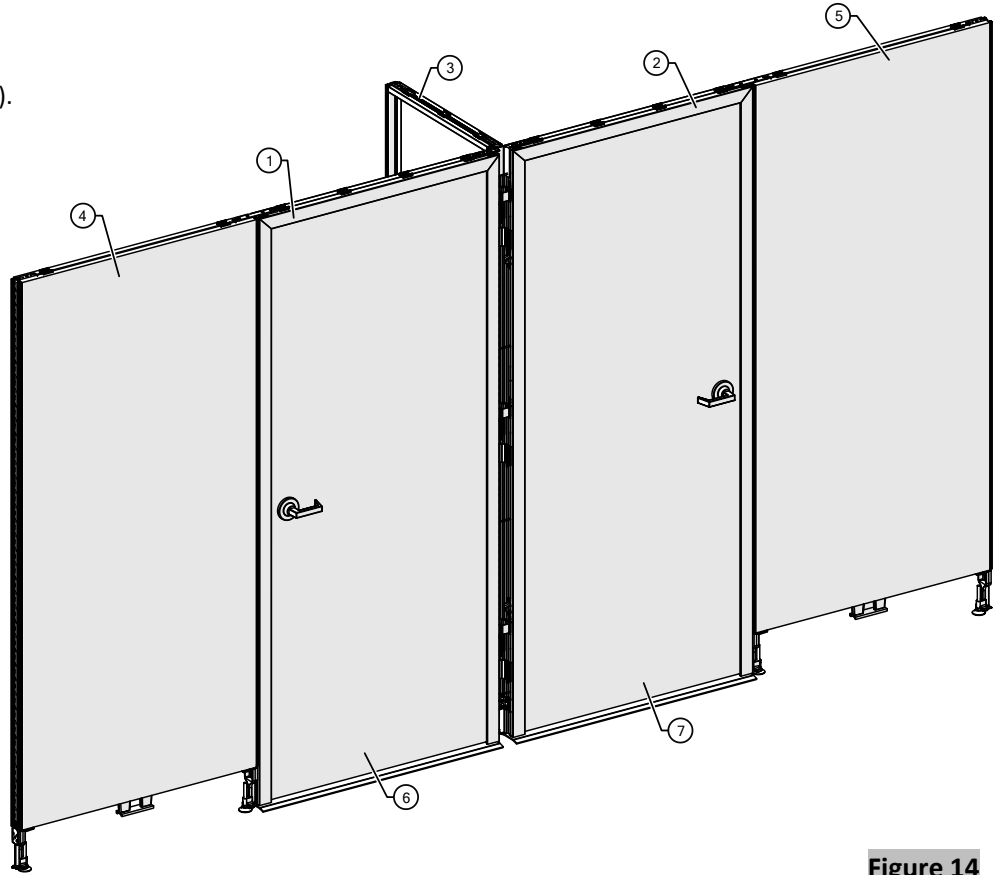
				
Drill	Phillips Bit			



# 3-Way Connection – 2 Doors

**18.** Install the other panel door; follow Steps 16-17, (Figure 14).

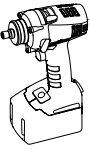
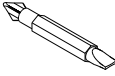
Continued on the next page >>



**Figure 14**

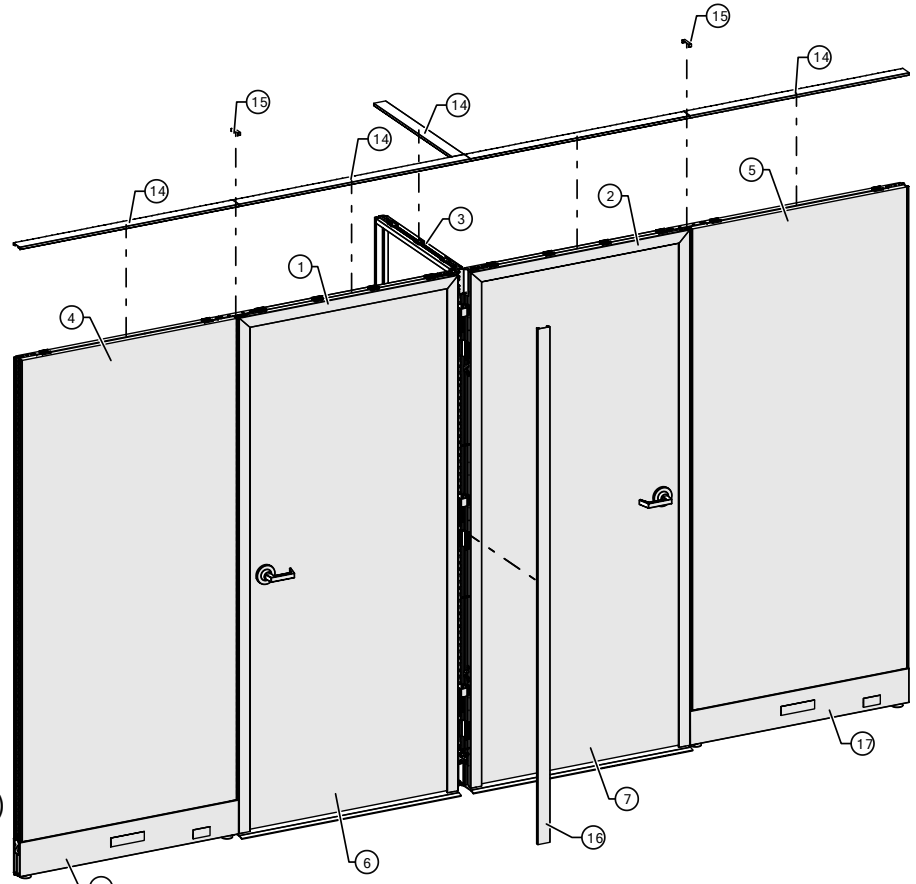
- ① PANEL DOOR FRAME 1 (RH SHOWN)
- ② PANEL DOOR FRAME 2 (LH SHOWN)
- ③ PANEL 1
- ④ PANEL 2
- ⑤ PANEL 3
- ⑥ PANEL DOOR 1 (RH SHOWN)
- ⑦ PANEL DOOR 2 (LH SHOWN)

**Tools & Hardware Needed**

				
Drill	Phillips Bit			

# 3-Way Connection – 2 Doors

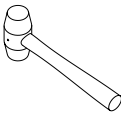
**19.** Install the 3-way or “T” Filler, top trims, top trim caps, and raceways, (Figure 15). Please see the “T” Filler, Top Trims, Top Trim Cap, and Raceway Installation instructions.



- ① PANEL DOOR FRAME 1 (RH SHOWN)
- ② PANEL DOOR FRAME 2 (LH SHOWN)
- ③ PANEL 1
- ④ PANEL 2
- ⑤ PANEL 3
- ⑥ PANEL DOOR 1 (RH SHOWN)
- ⑦ PANEL DOOR 2 (LH SHOWN)
- ⑭ TOP TRIM
- ⑮ TOP TRIM CAP
- ⑯ 3-WAY or “T” FILLER
- ⑰ RACEWAY

**Figure 15**

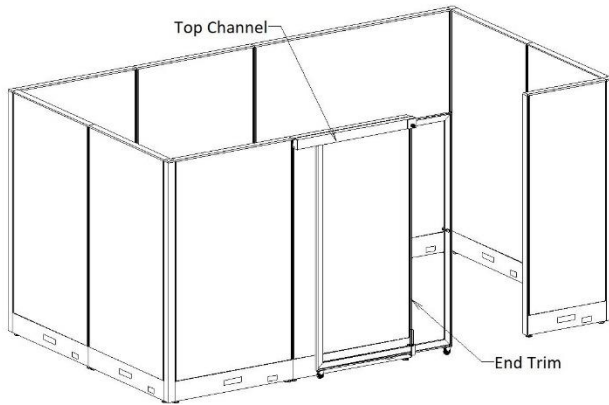
### Tools & Hardware Needed

				
Rubber Mallet				

# Sliding Door

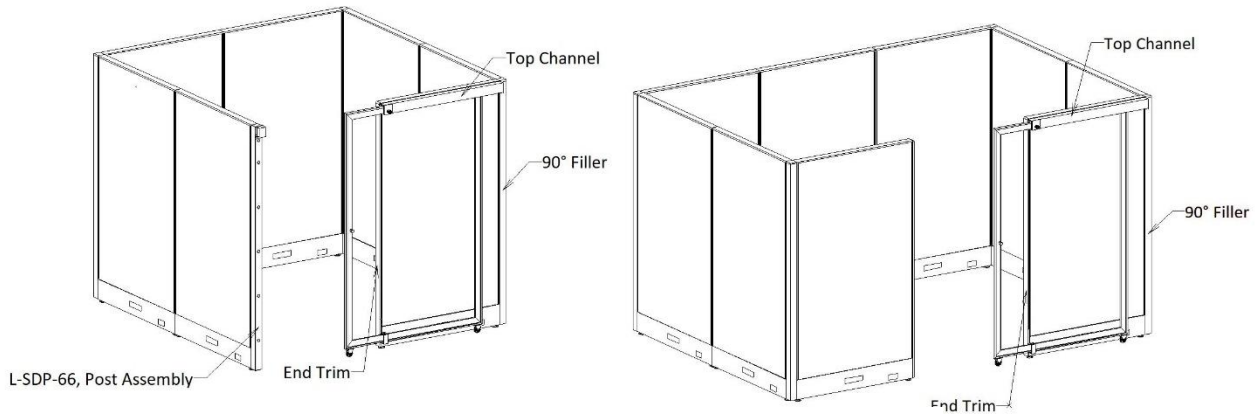
## Application Guides - Connection Types

Sliding Door can be mounted onto 30", 42", 48", 54" and 60" wide panels, height of 66 1/4" high. Available door widths are 30", 36" and 42" wide.



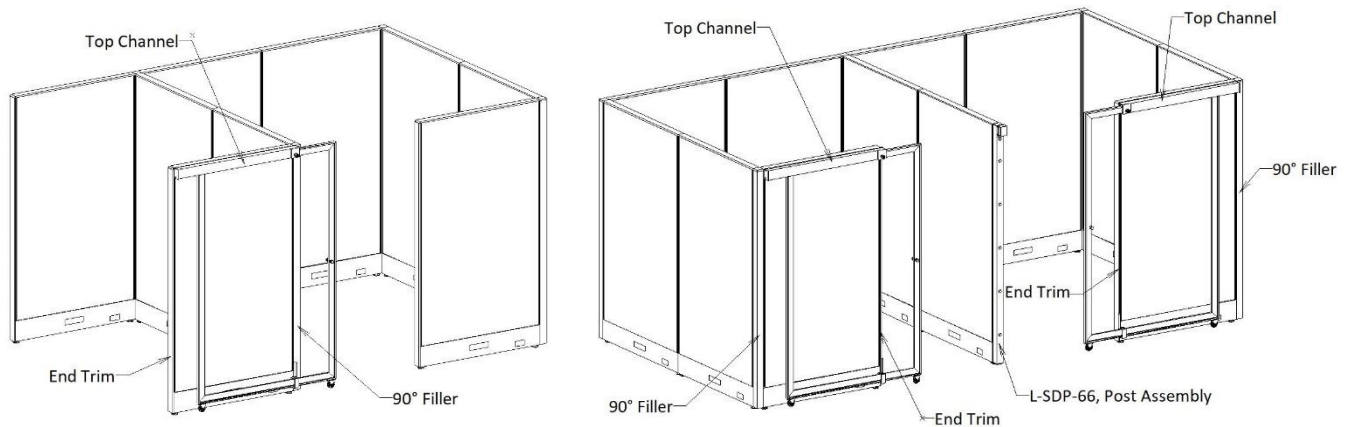
### 2-Way 180° or Straight Connection

- Sliding door should be installed first to the panel where the top channel will be mounted before attaching it to the adjacent panel.



### 90° Connection

- Sliding door should be installed first before installing the End Trim and 90° Filler.



### 3-Way Connection

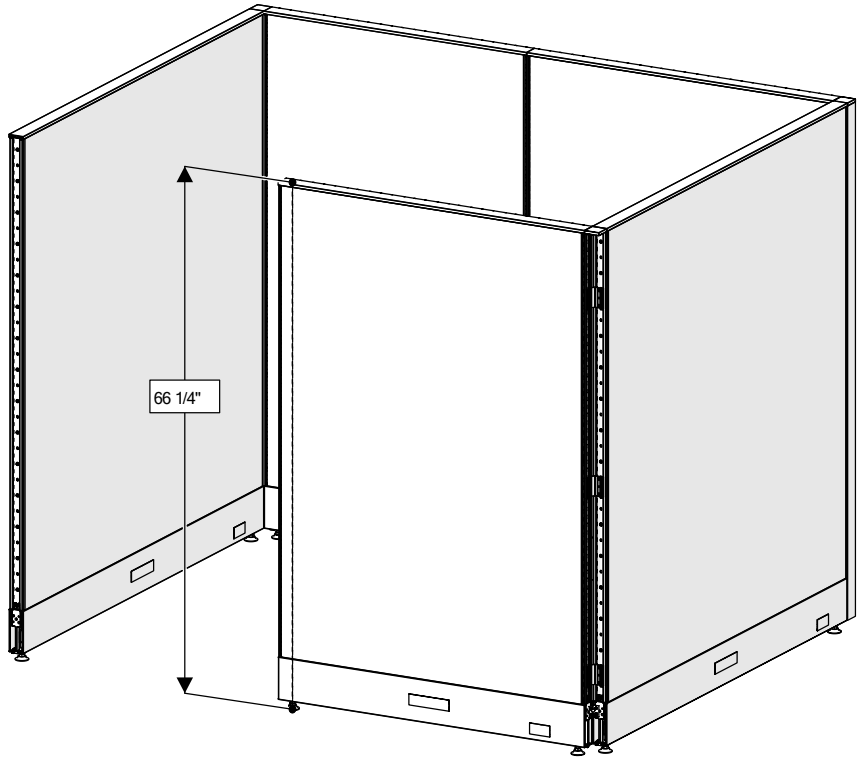
- Sliding door should be installed first before installing the End Trim and 90° Filler.

# Sliding Door

**Caution: Do not use #8 X 1-1/4" Flat Head Screws (8540-1008) and #8 X 1-1/2" Washer Head Screws (8540-1185) on Glass or Acrylic Panels.**

1. Install the panels. Ensure the height of the panels is 66 1/4" high. To raise the panel height, use a crowbar to lift the panel and turn the adjustable glide counterclockwise. Please see **Panel Connections, Components, Fillers, and Hardware Installation Instructions and Assembly Guides.**

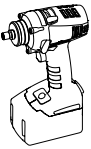


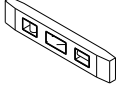
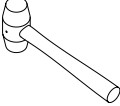
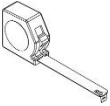

**Note: For Straight Connection, the sliding door should be installed first to the panel where the top channel will be mounted before attaching it to the adjacent panel.**



Continued on the next page >>

**Figure 1**

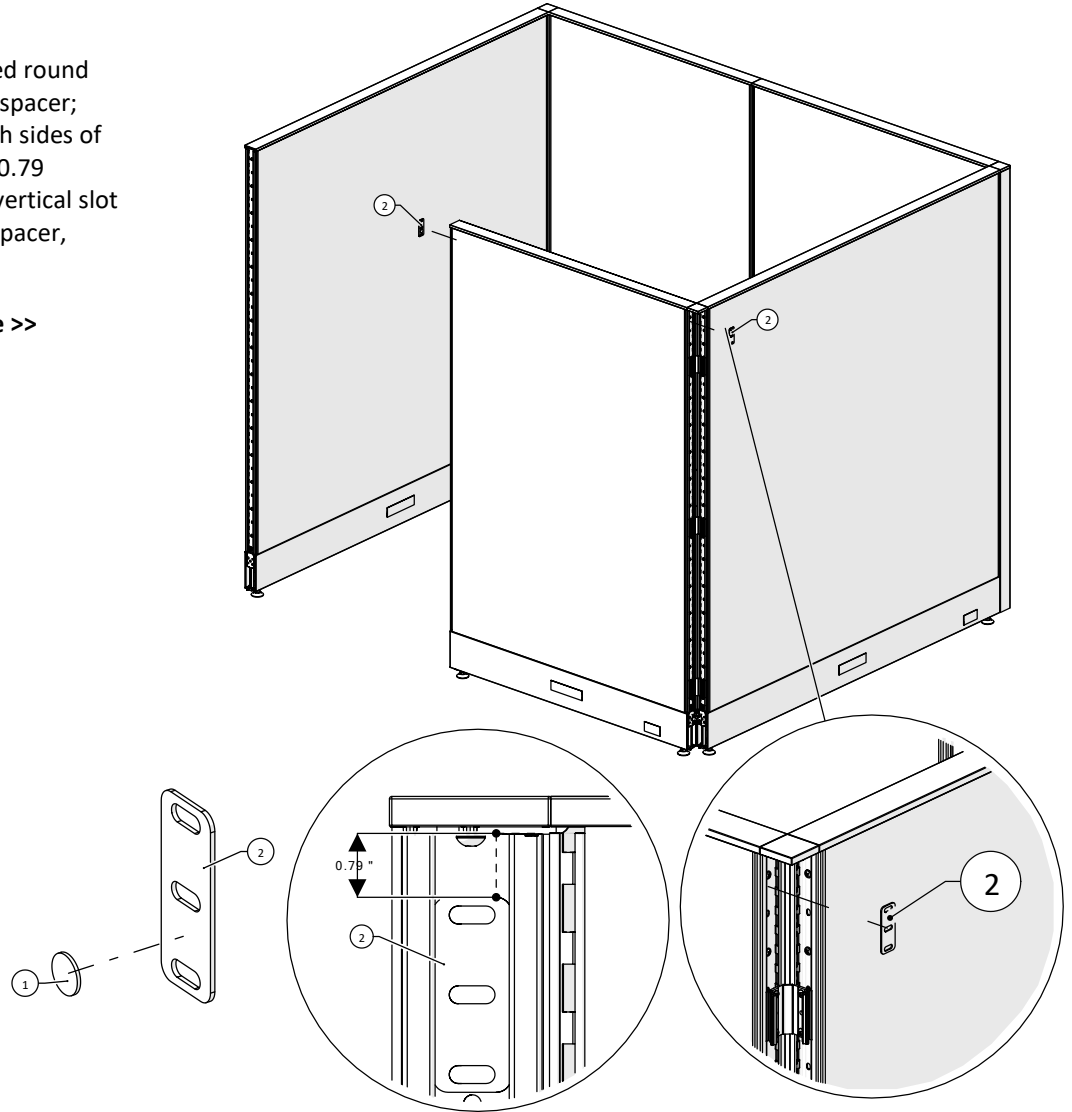
## Tools & Hardware Needed

				
Drill	Right Angle Drill	Robertson #2 Long Bit	Torpedo Level	Rubber Mallet
				
Tape Measure	Crowbar			

# Sliding Door

2. Peel off the double-sided round tape and stick it on the spacer; place the spacer on both sides of the frame at 20 mm or 0.79 inches from the top of vertical slot to the top edge of the spacer, (Figure 2).



Continued on the next page >>



**Figure 2**

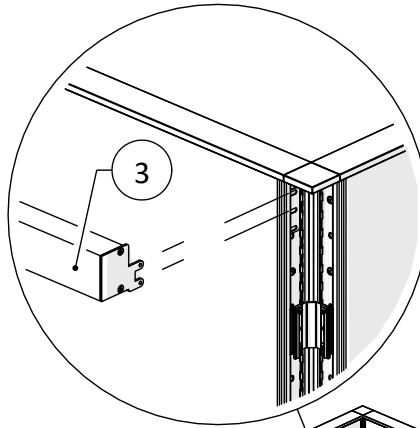
- ① DOUBLE-SIDED ROUND TAPE
- ② SPACER

## Tools & Hardware Needed

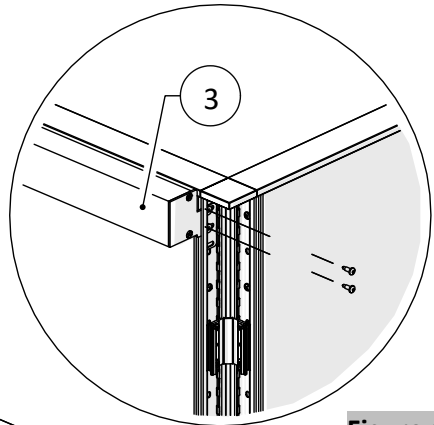
SD-BKT-P114 	8540-1340 			
Spacer	Double-sided Round Tape			

# Sliding Door

3. Determine if the sliding door is left or right, (Right Hand Shown).
4. Ensuring the panels are level, install the top channel (2 people) by inserting the two projections into the topmost panel slots, (Figure 3).
5. Ensuring the top channel is flush with the top trim, securely fasten the top channel on the sides of the panel using #10 X 5/8" Pan Head Self Drilling Screws, (Figure 4).

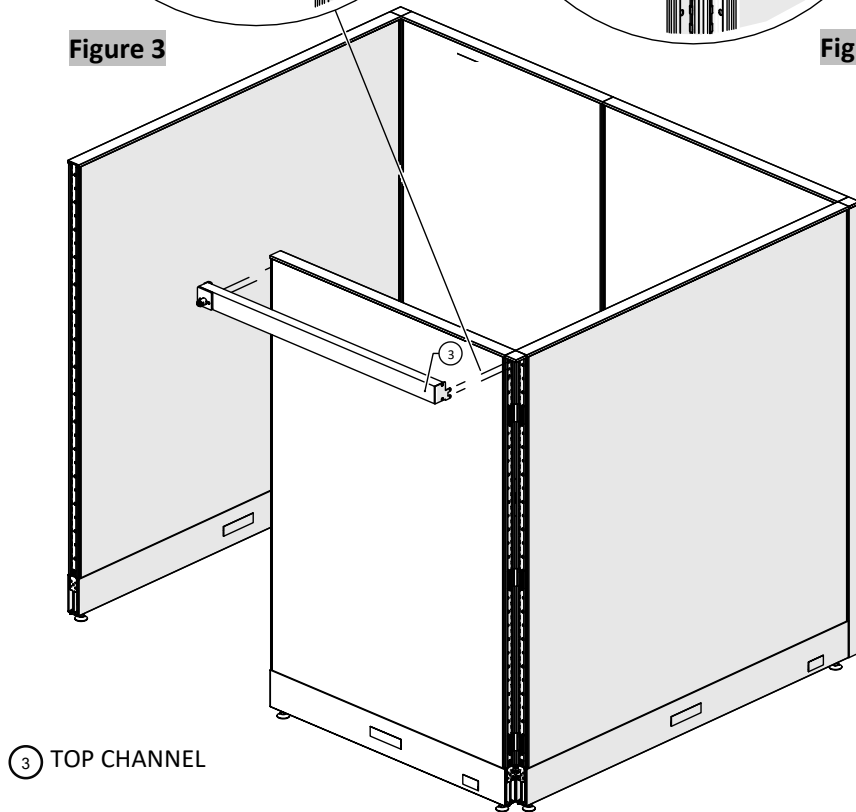


**Figure 3**



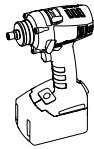

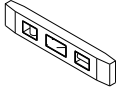

**Figure 4**

Continued on the next page >>



3 TOP CHANNEL

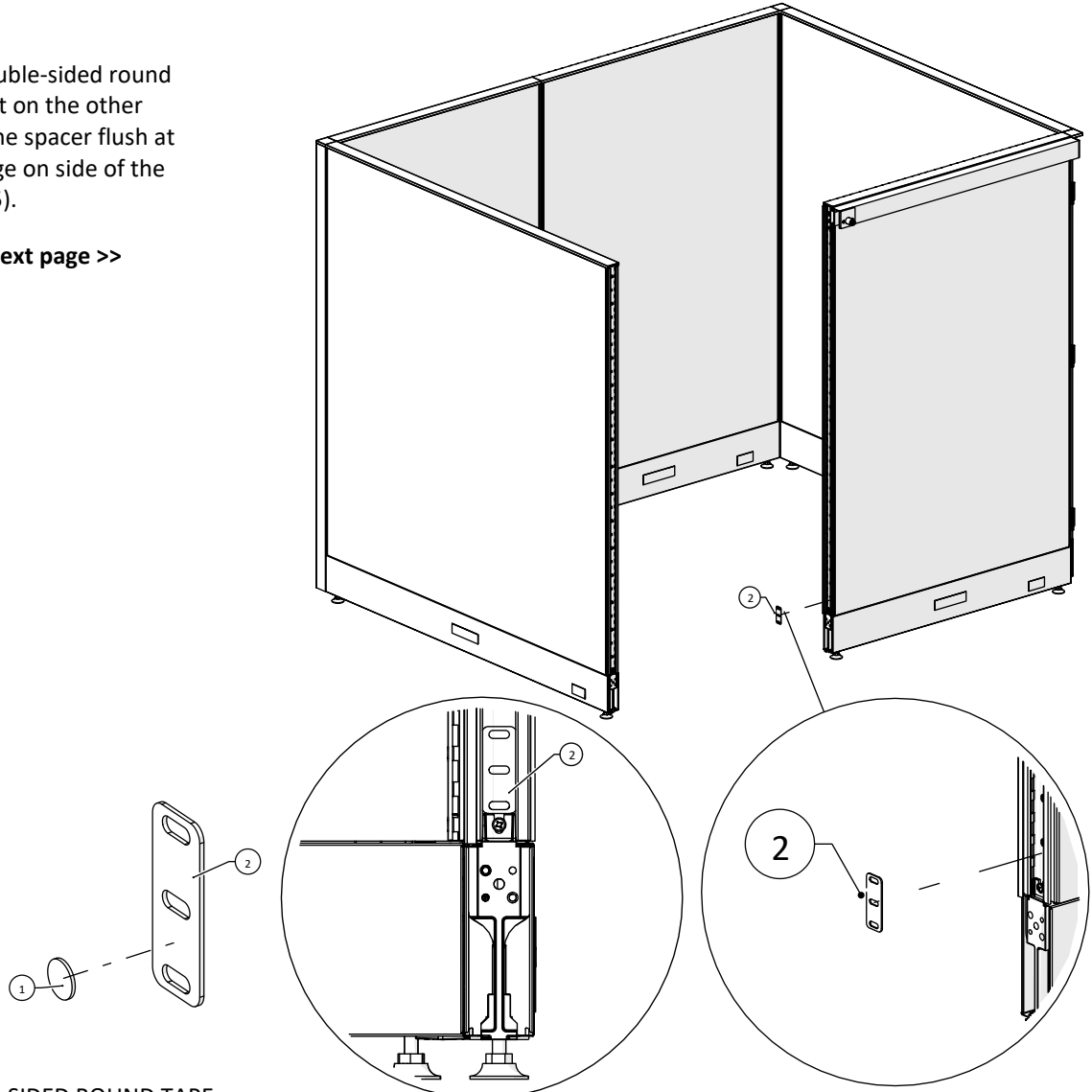
## Tools & Hardware Needed

			8540-0550 	
Drill	Robertson #2 Long Bit	Torpedo Level	#10 x 5/8", PH Self Drilling Screw	

# Sliding Door

6. Peel off the double-sided round tape and stick it on the other spacer; place the spacer flush at the bottom edge on side of the panel, (Figure 5).

Continued on the next page >>



- ① DOUBLE-SIDED ROUND TAPE
- ② SPACER

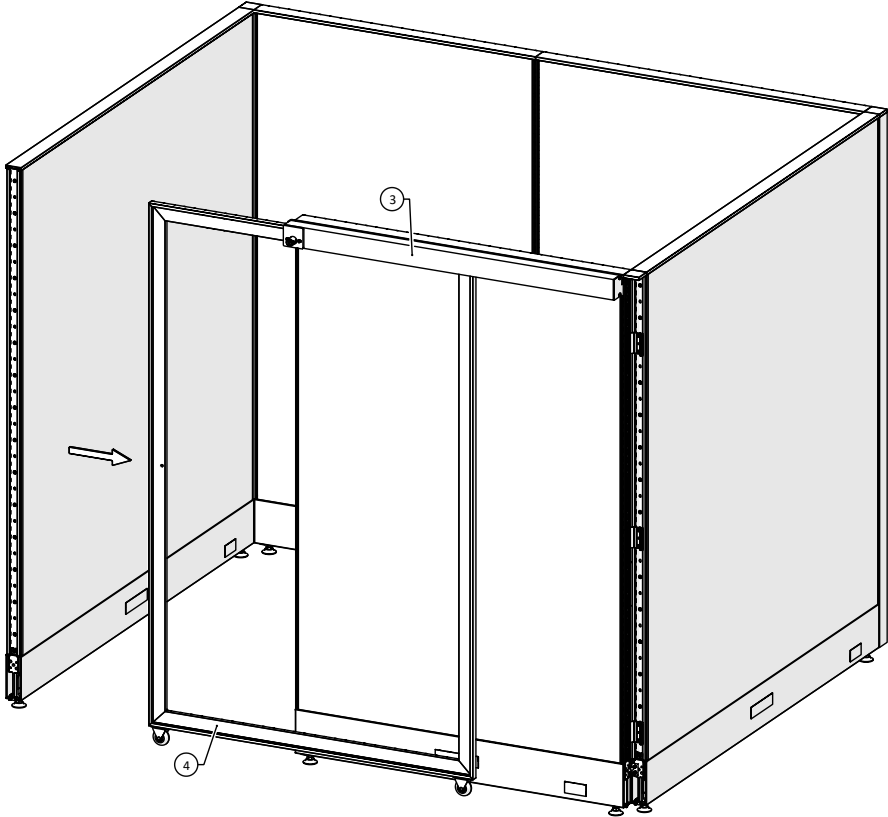
**Figure 5**

## Tools & Hardware Needed


# Sliding Door

7. Insert and slide the door into the top channel, (Figure 6).

Continued on the next page >>



- 3 TOP CHANNEL
- 4 SLIDING DOOR

**Figure 6**

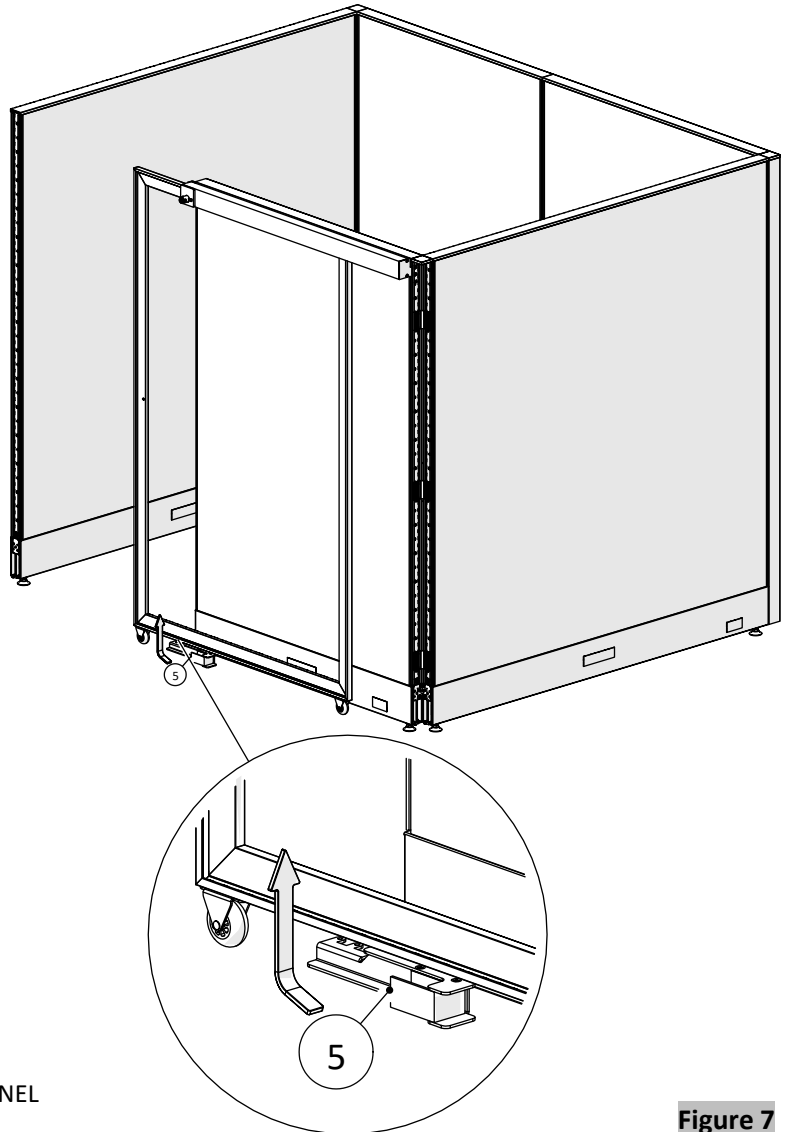
**Tools & Hardware Needed**




# Sliding Door

- 8. Lay the bottom U-channel sideways on the floor; hook the bottom U-channel to the door by rotating it at a 90-degree angle, (Figure 7).

Continued on the next page >>



5 BOTTOM U-CHANNEL

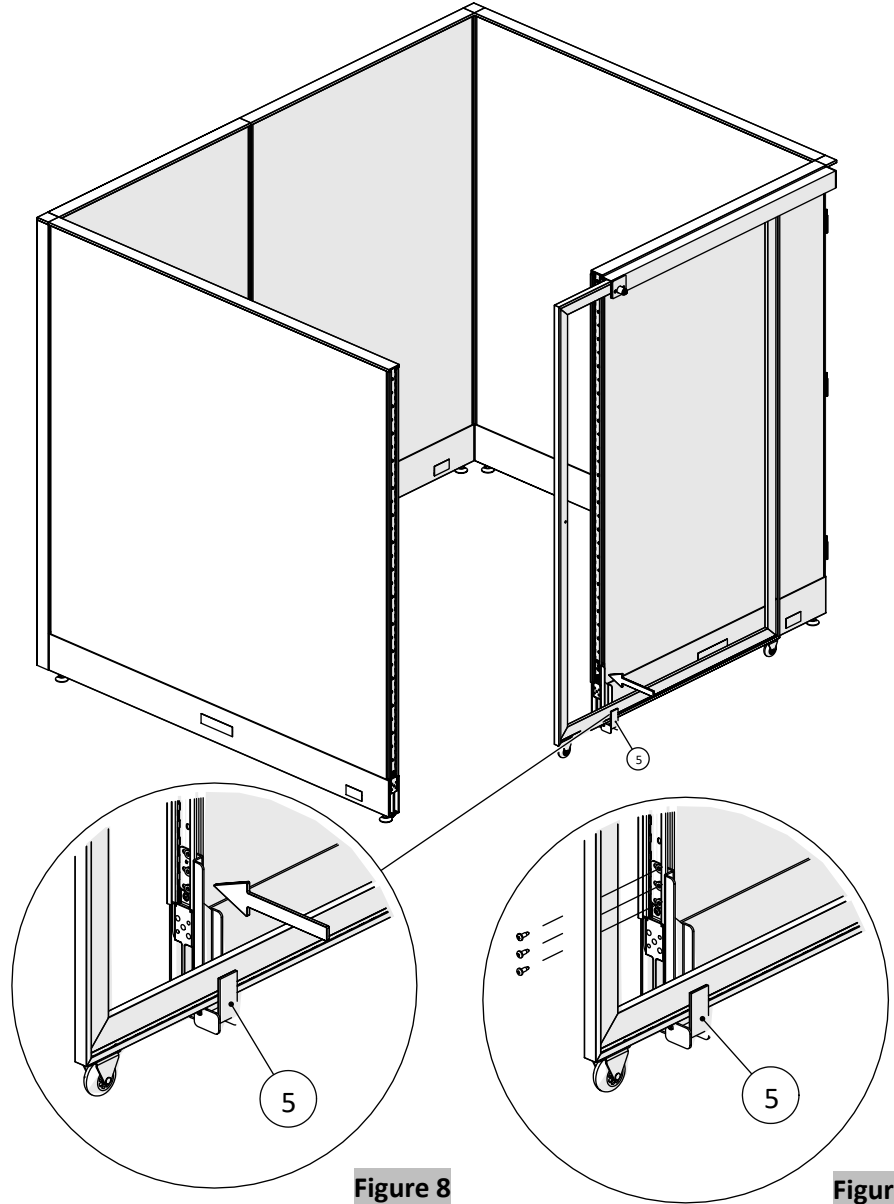
Figure 7

## Tools & Hardware Needed


# Sliding Door

- 9. Insert the bottom U-channel by inserting the three projections into the bottommost panel slots, (Figure 8).
- 10. Securely fasten the bottom U-channel on the side of the panel using #10 X 5/8" Pan Head Self Drilling Screws, (Figure 9).

Continued on the next page >>

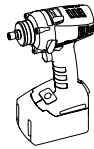
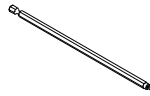



**Figure 8**

**Figure 9**

5 BOTTOM U-CHANNEL

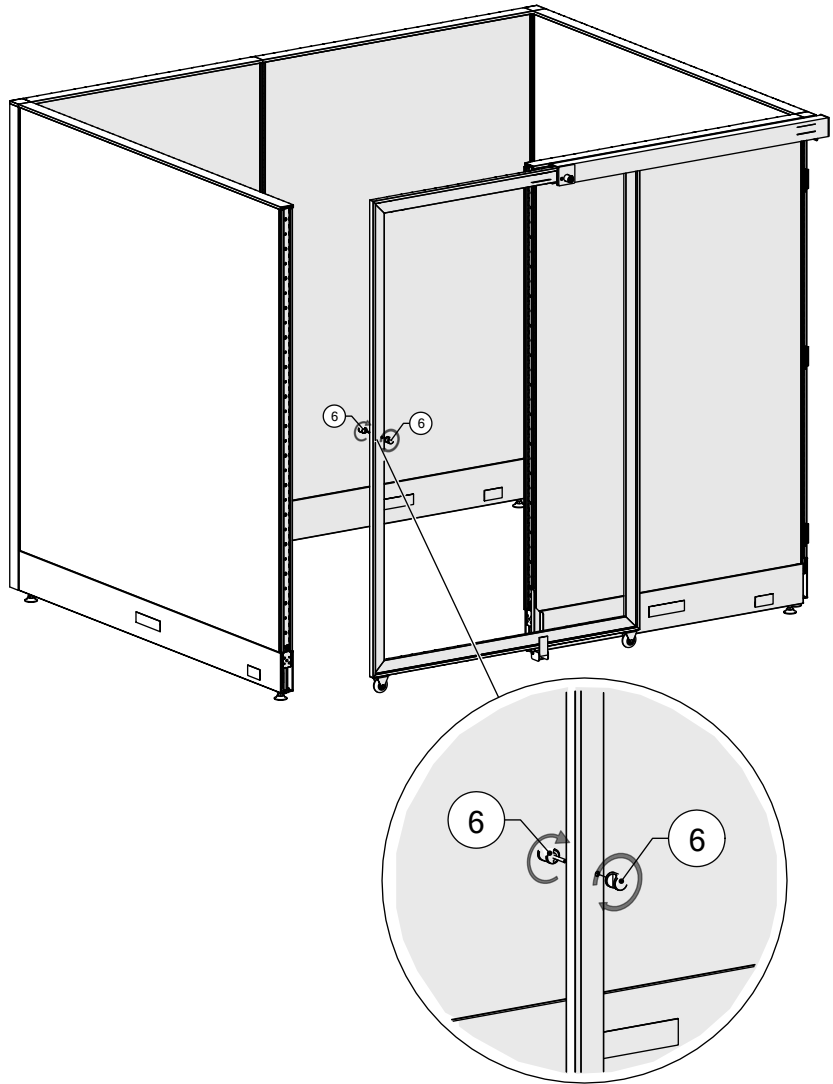
### Tools & Hardware Needed

		8540-0550 		
Drill	Robertson #2 Long Bit	#10 x 5/8", PH Self Drilling Screw		

# Sliding Door

**11.** Insert the knob with threaded stud into the hole of the sliding door frame; screw it into the other knob by hand tightening, (Figure 10).

Continued on the next page >>



⑥ KNOB

**Figure 10**

## Tools & Hardware Needed

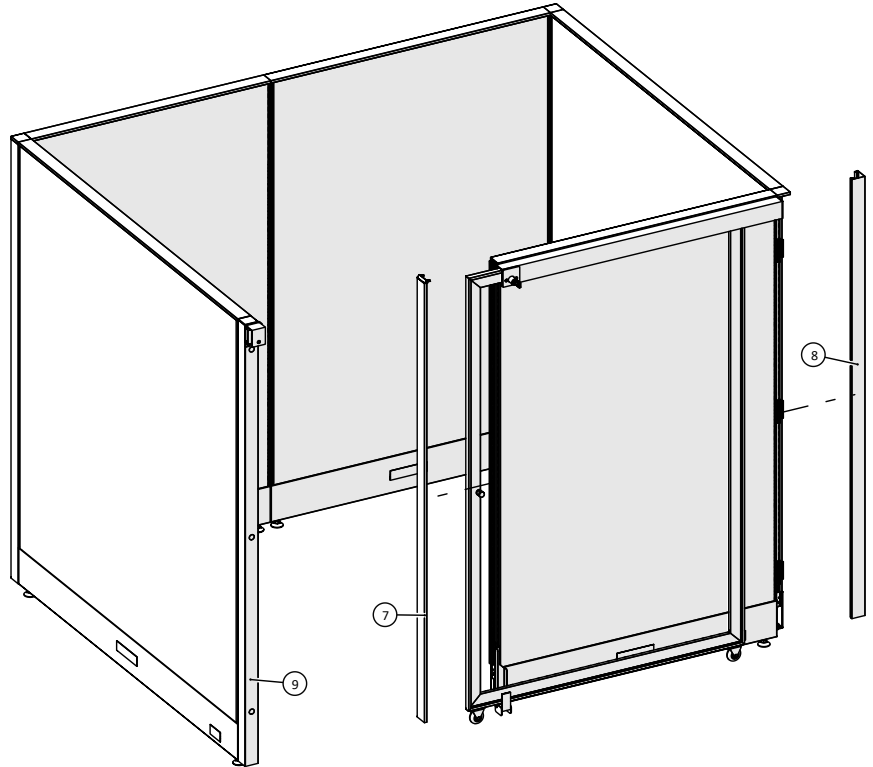

# Sliding Door

**12.** Install the post assembly and end trim, 90-degree, and T- fillers, (Figure 11).

**Please see the sliding door post, Panel Connections, Components, Fillers, and Hardware Installation instructions.**

**13.** To lock the sliding door, insert the key into the core cylinder and slide out the door to catch the hole of the lock mount plate by pushing the core cylinder; turn the key clockwise to lock the door.

Continued on the next page >>



- ⑦ END TRIM
- ⑧ 90° FILLER
- ⑨ SLIDING DOOR POST

**Figure 11**

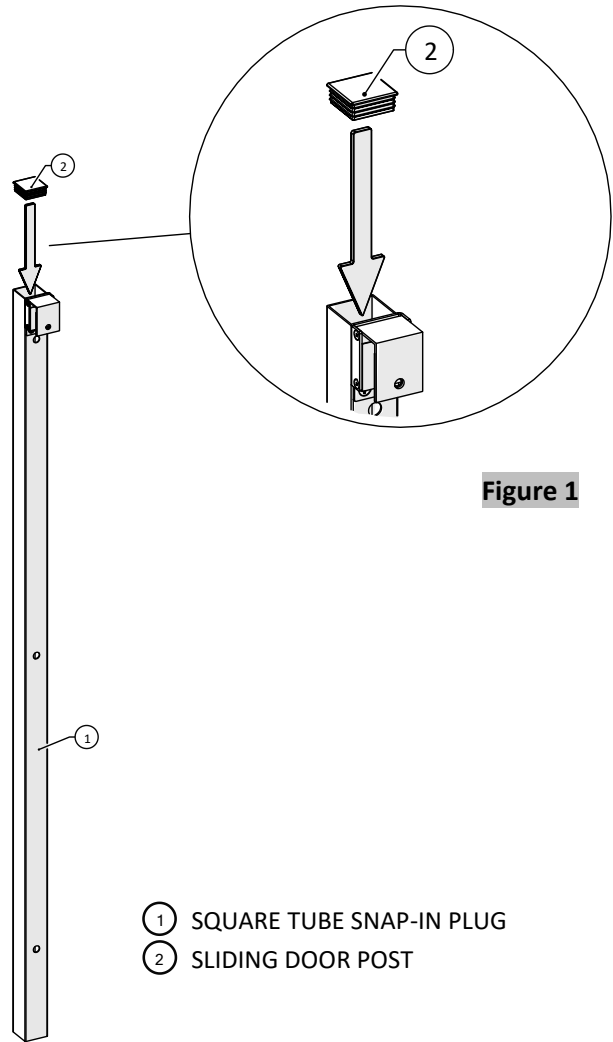
## Tools & Hardware Needed


# Sliding Door Post Assembly

**Caution: Do not use #8 X 1-1/4" Flat Head Screws (8540-1008) and #8 X 1-1/2" Washer Head Screws (8540-1185) on Glass or Acrylic Panels.**

1. Insert the Square Tube Snap-in plug into the post, (Figure 1).

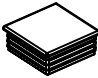
Continued on the next page >>



**Figure 1**

- ① SQUARE TUBE SNAP-IN PLUG
- ② SLIDING DOOR POST

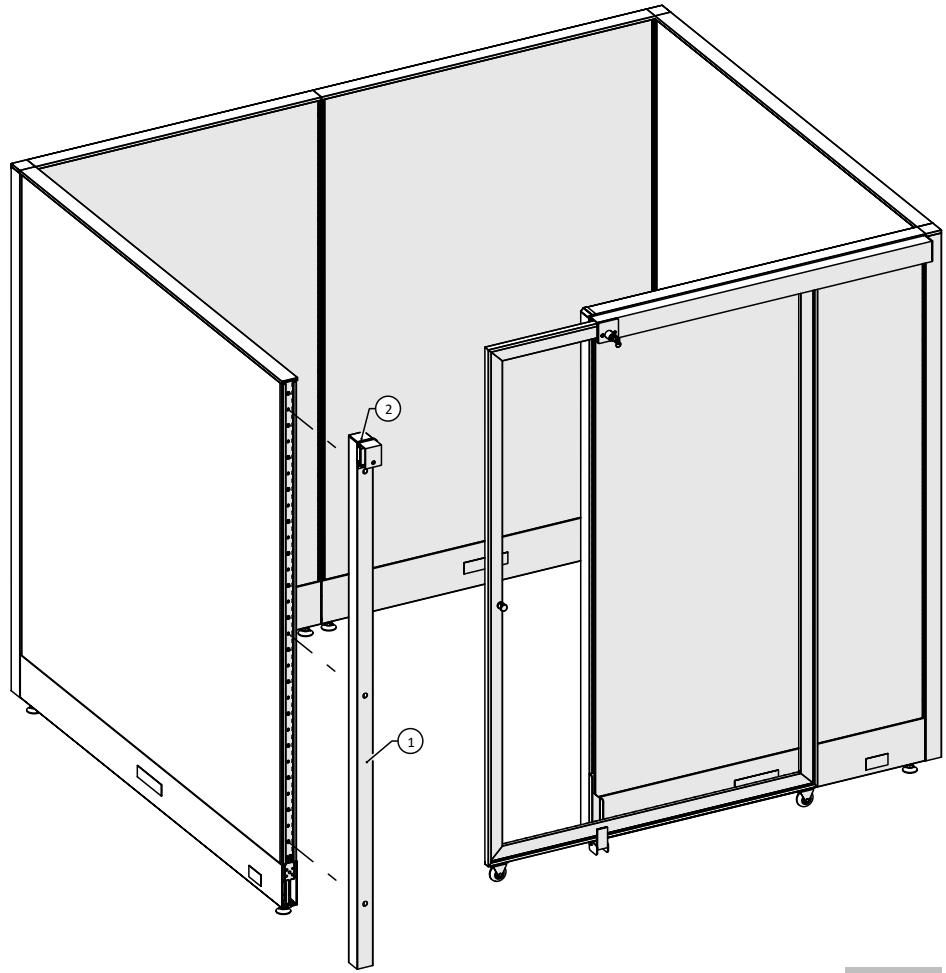
## Tools & Hardware Needed

8540-1371 				
Square Tube Snap-in Plug				

# Sliding Door Post Assembly

- 2.** Align the sliding door post to the side of the panel and flush it with the top of the panel; check the 3 holes of the sliding door post if there's a screw visible. If there's a screw, unscrew that screw from the panel and use it to fasten the sliding door post, (Figure 2).

Continued on the next page >>



**Figure 2**

- ① SQUARE TUBE SNAP-IN PLUG
- ② SLIDING DOOR POST

## Tools & Hardware Needed


# Sliding Door Post Assembly

3. Securely fasten the sliding door post on side of the panel, (Figure 3).  
**For the glass or acrylic portion of the panel, use #10-32 X 1" Round Head Screws (8540-0557). For a portion of the panel without the glass or acrylic, use #8 X 1-1/2" Washer Head Screws (8540-1185).**
4. Insert the metal round plug (8540-1374) into the holes of the sliding door post, (Figure 4).

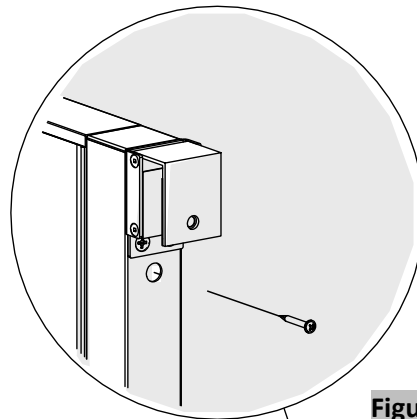


Figure 3

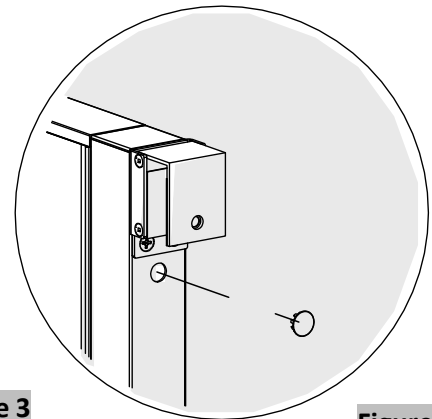
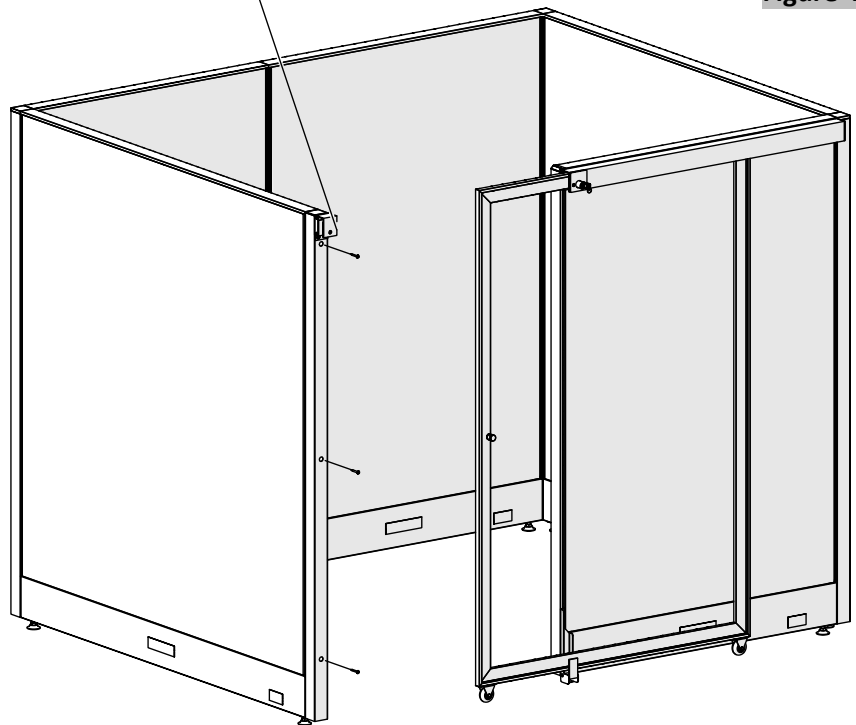
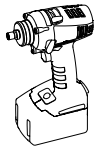






Figure 4

Continued on the next page >>

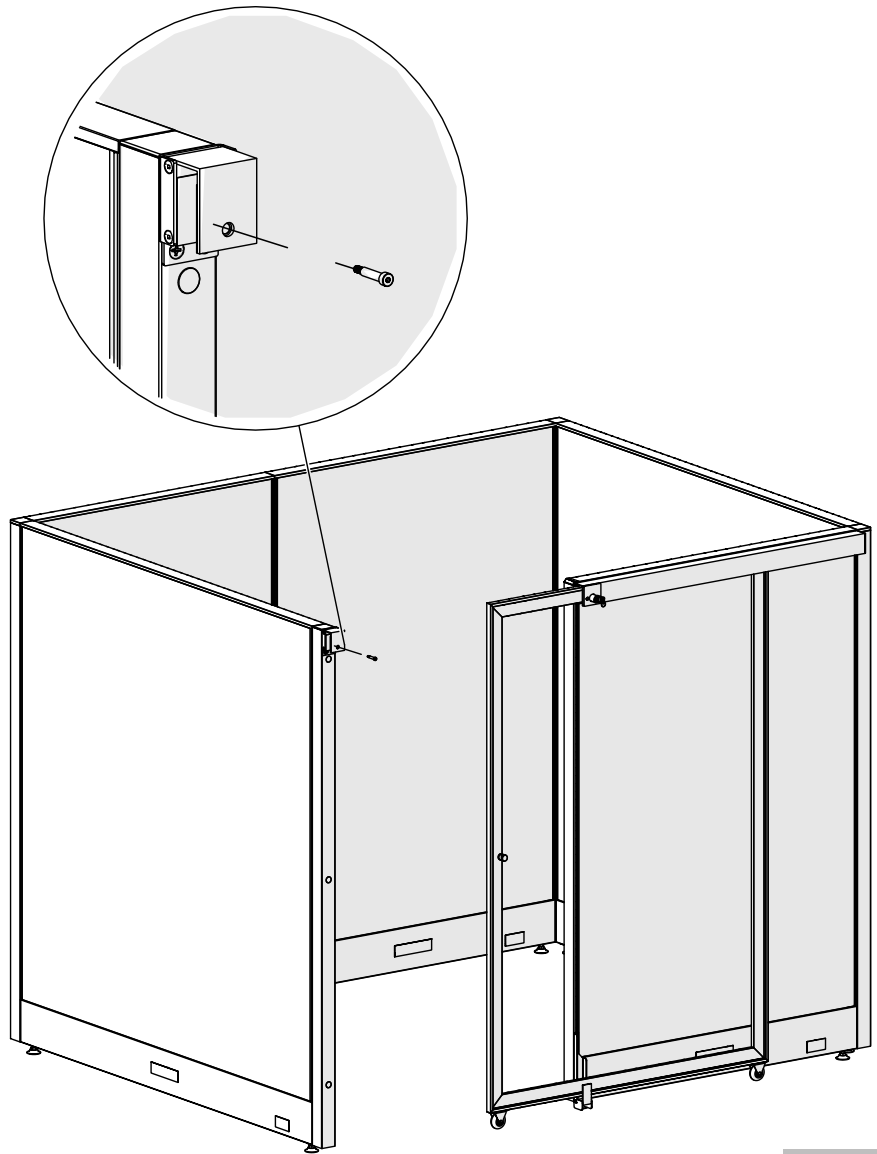


### Tools & Hardware Needed

		8540-0557 	8540-1185 	8540-1374 
Drill	Robertson #2 Long Bit	#10-32 x 1" RH Screw	#8 x 1-1/2" Washer Head Screw	Metal Round Plug for 9/16" Hole


# Sliding Door Post Assembly

5. Insert the nylon shoulder screw (8540-1375) into the topmost hole of the sliding vertical post; screw it by hand tightening, (Figure 5).



**Figure 5**

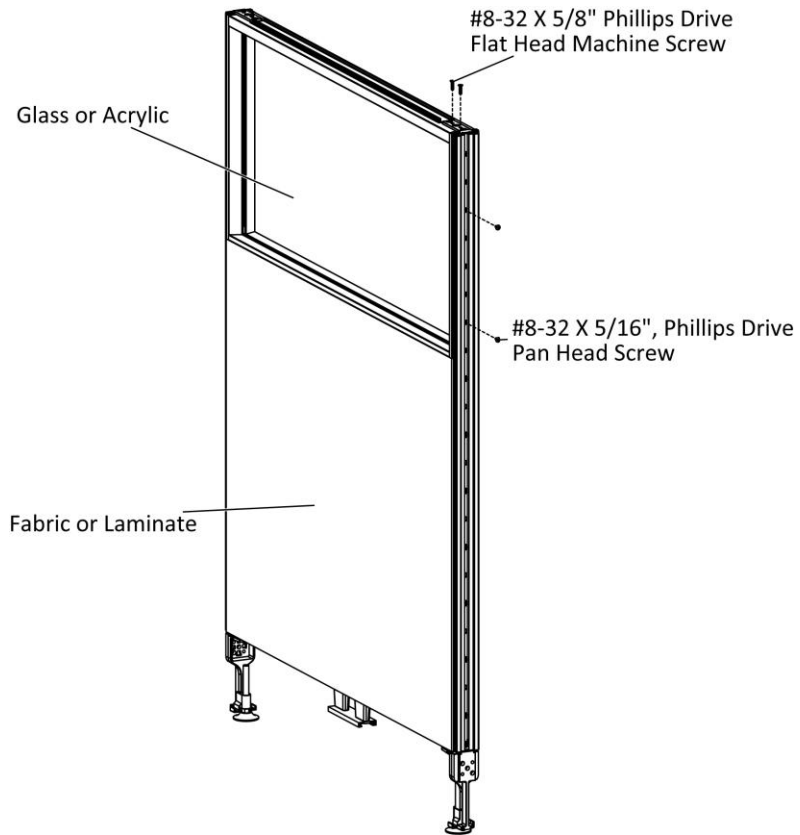
## Tools & Hardware Needed

8540-1375				
				
Nylon Shoulder Screw				

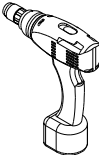
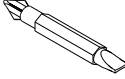




# Machine Screws Removal from Glass or Acrylic Panel

1. Remove machine screws from the glass or acrylic frame and apply them to the connector bracket.

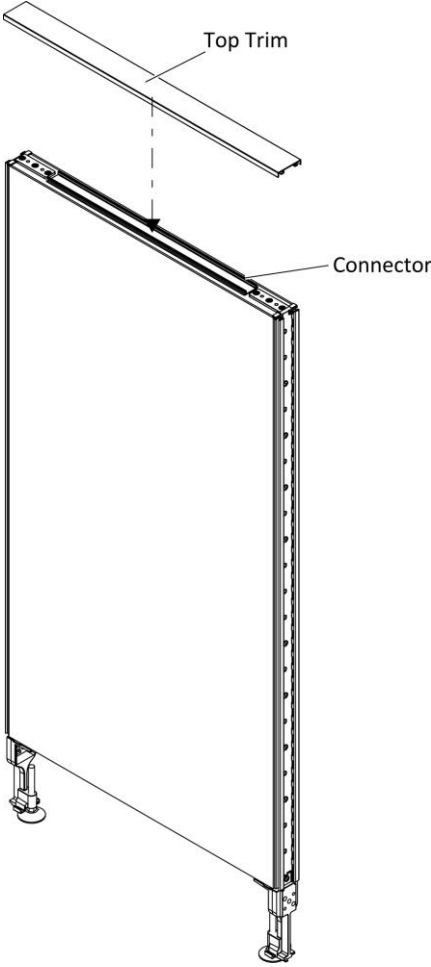


## Tools & Hardware Needed

		8540-1196 	8540-1209 	
Drill	Phillips #2 & #3 Bit or Robertson # 2	#8-32 x 5/8" FH Machine Screw	#8-32 X 5/16" PH Phillips Drive Screw	

# Top Trim Installation

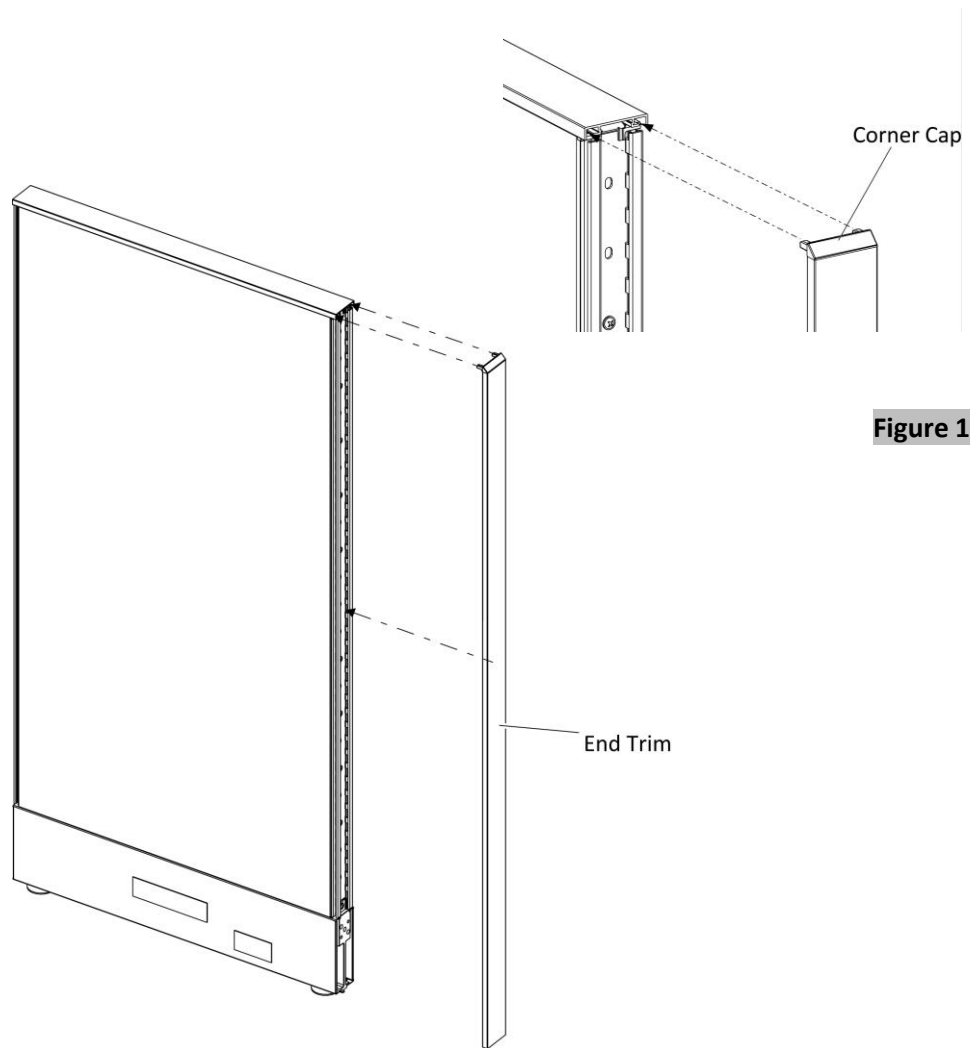
- 1. Install top trim by snapping on the connector.
- 2. Slide the top trim to the center.



### Tools & Hardware Needed


# End Trim Installation

1. Install end trim by inserting the corner cap with end trim into the top trim and pressing the end trim into the vertical extrusion, (Figure 1).

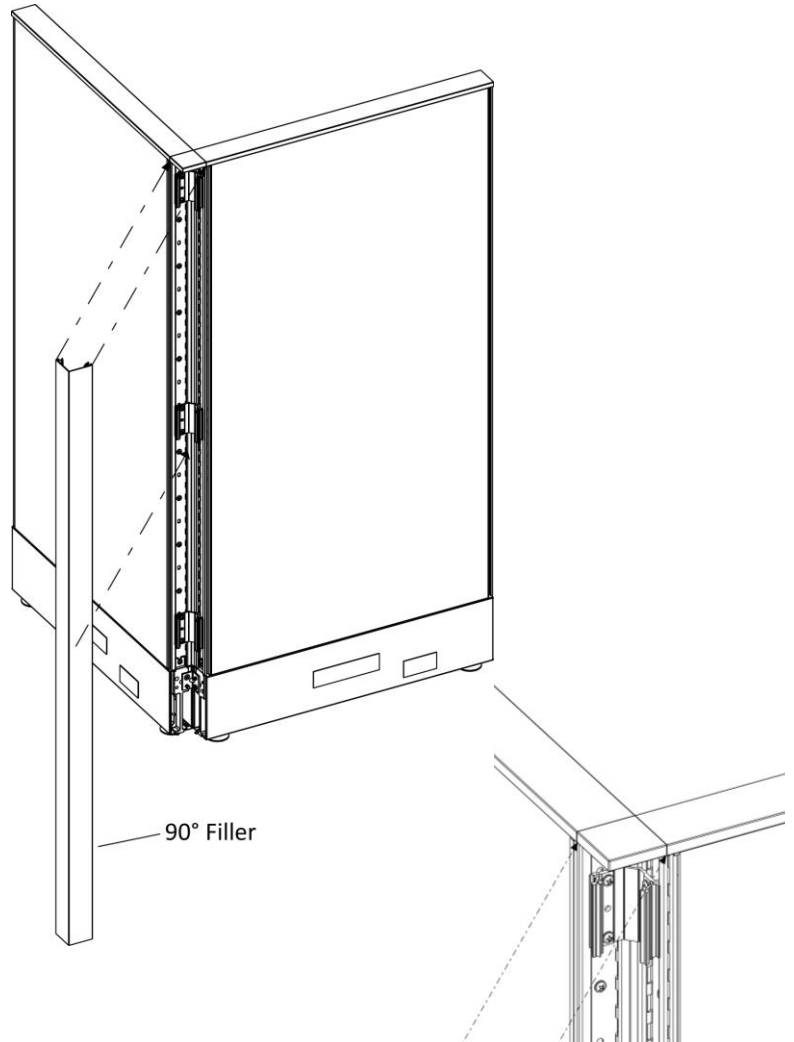


**Figure 1**

## Tools & Hardware Needed


# 90-degree Filler Installation

1. Position the 90-degree filler, flush with the bottom of the top cap, parallel to the vertical edge, and press the 90-degree filler to snap on connectors, (Figure 1).

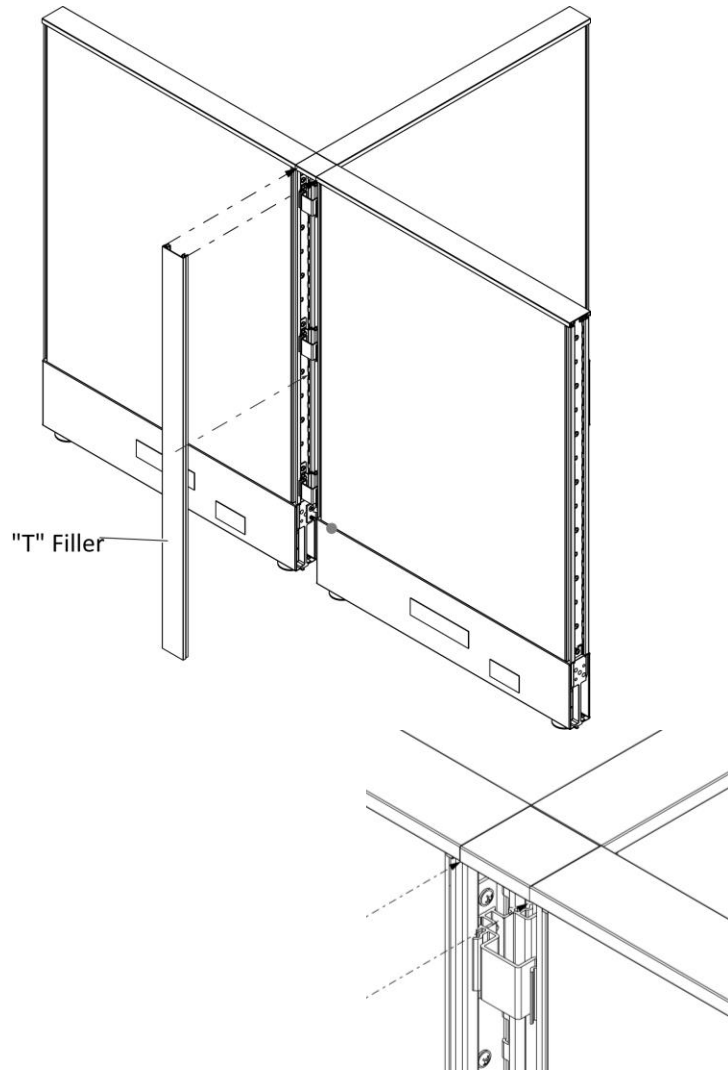


**Figure 1**

## Tools & Hardware Needed


# "T" Filler Installation

1. Position the "T" filler, flush with the bottom of the top cap, parallel to the vertical edge, and press the "T" filler to snap on connectors, (Figure 1).

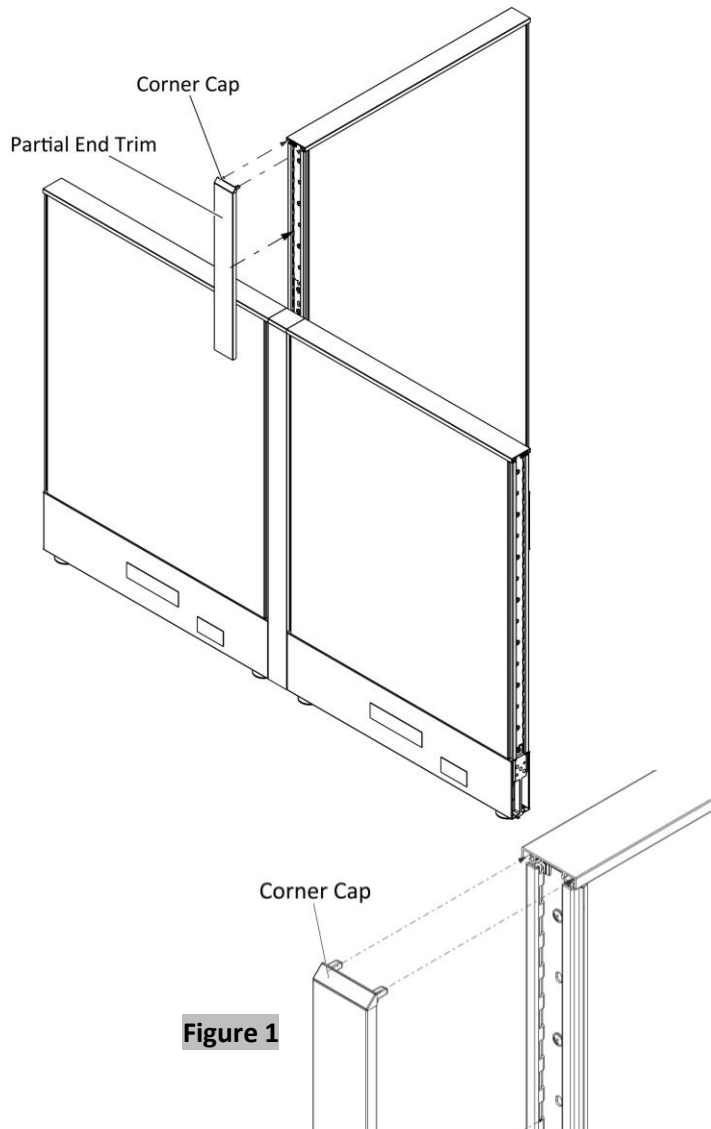


**Figure 1**

## Tools & Hardware Needed


# Partial End Trim Filler Installation

1. Install partial end trim by inserting the corner cap with partial end trim into the top trim and pressing partial end trim into the vertical extrusion, (Figure 1).

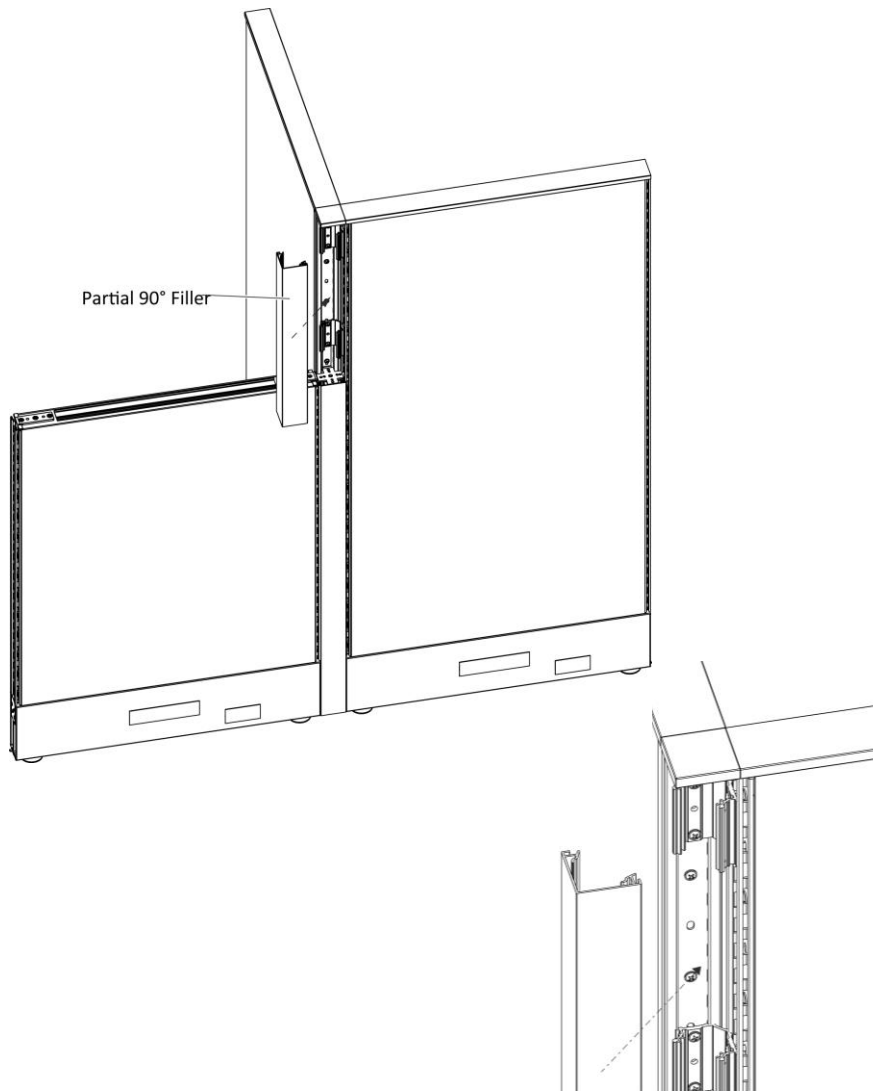


**Figure 1**

## Tools & Hardware Needed


# Partial 90-degree Filler Installation

1. Position the partial 90-degree filler, flush with the bottom of the top cap, parallel to the vertical edge, and press the partial 90-degree filler to snap on connectors, (Figure 1).

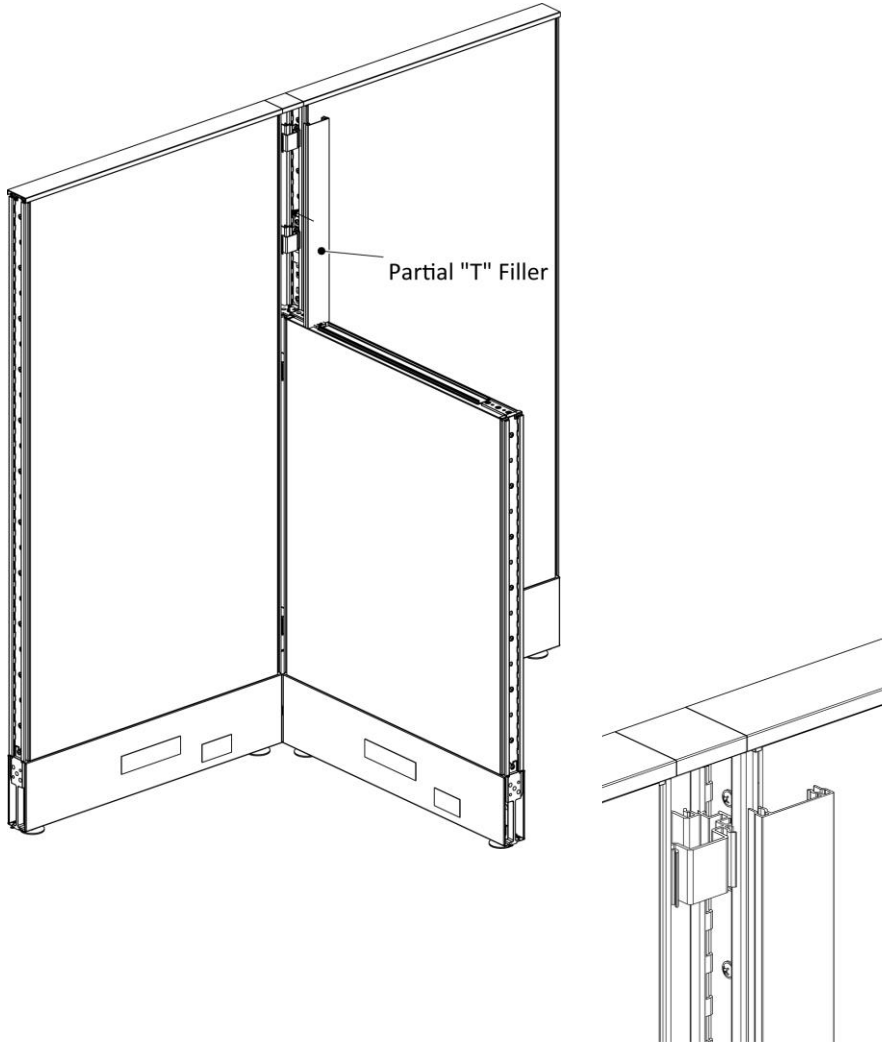


**Figure 1**

## Tools & Hardware Needed


# Partial "T" Filler Installation

- 1. Position the partial "T" filler, flush with the bottom of the top cap, parallel to the vertical edge, and press the partial "T" filler to snap on connectors, (Figure 1).



**Figure 1**

### Tools & Hardware Needed




# Top Trim Mid Cap

1. Position the Top Trim Mid Cap in-between the two top trims, (Figure 1).
2. Press the Top Trim Mid Cap to snap on the top trims.

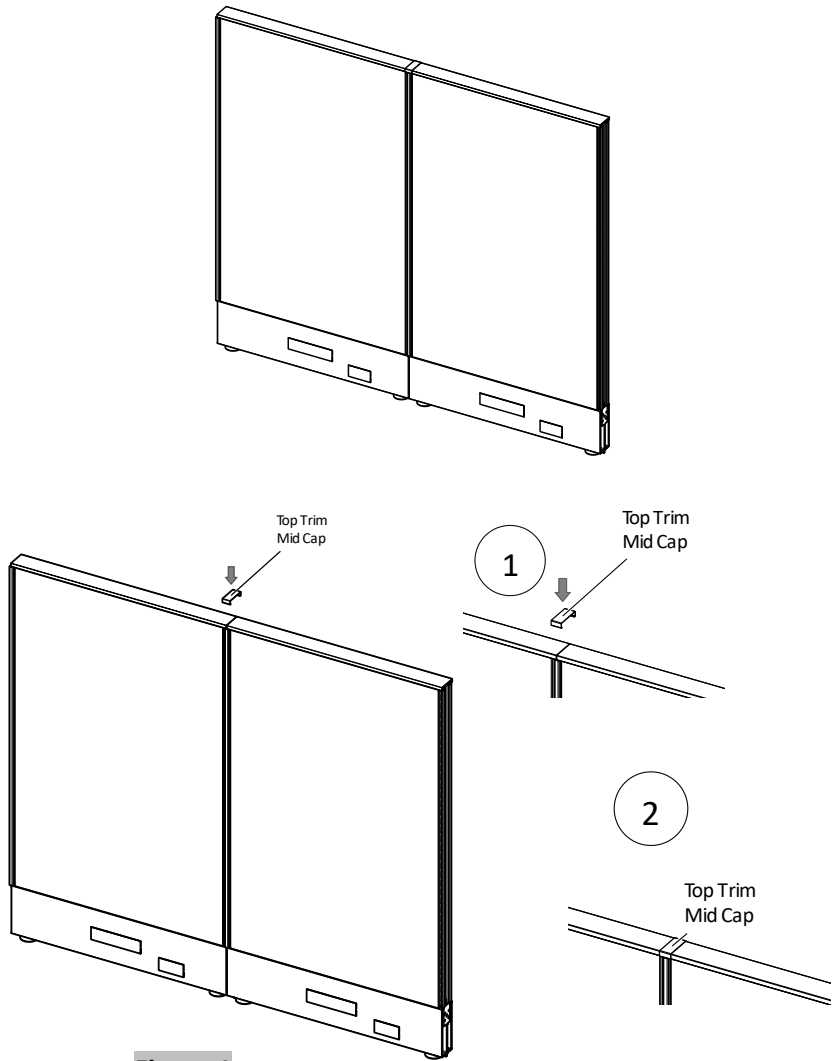
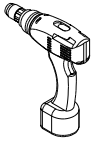
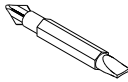

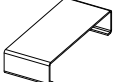


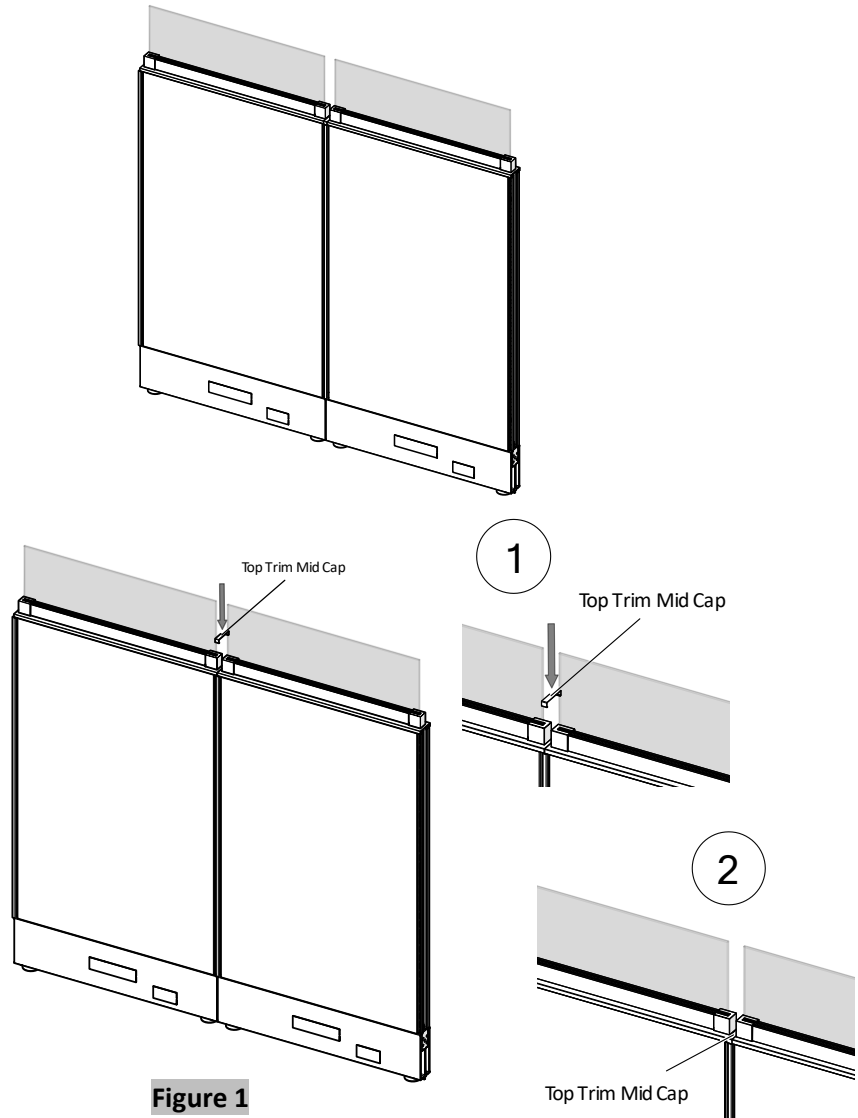
Figure 1

## Tools & Hardware Needed

		8540-1200 	8393-0230 	
Drill	Phillips #2 & #3 Bit or Robertson #2	#8 X 1-3/4", Flat Head Screw (3X)	Top Trim Cap -Mid	

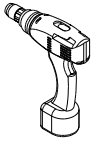
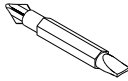

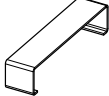
# Top Trim Mid Cap with Panel Mounted Glass/Acrylic Screen

1. Position the Top Trim Mid Cap in-between the two top trims, (Figure 1).
2. Press the Top Trim Mid Cap to snap on the top trims.



**Figure 1**

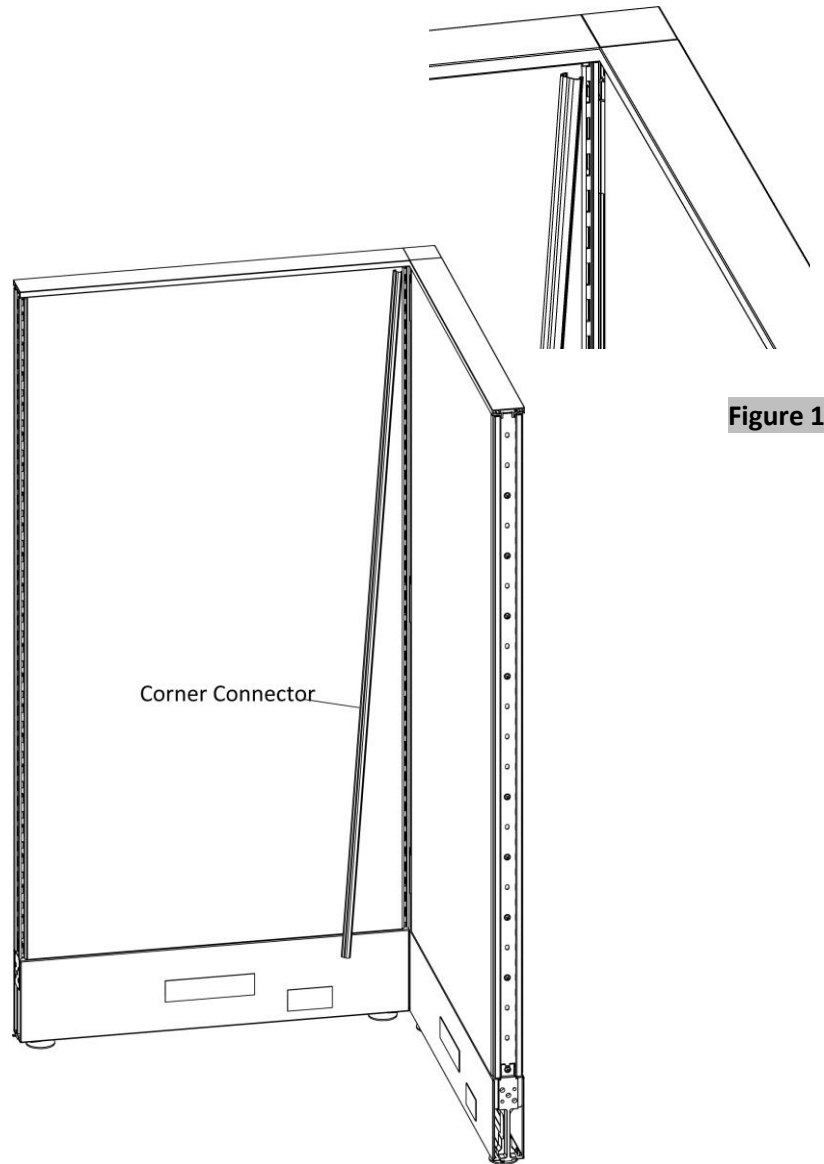
## Tools & Hardware Needed

		8540-1200 	8393-0231 	
Drill	Phillips #2 & #3 Bit or Robertson #2	#8 X 1-3/4", Flat Head Screw (3X)	Top Trim Cap-Mid	

# Corner Connector Installation

1. Starting from the corner top of the panels, press in the corner connector between the vertical slot extrusion located at the ends of each panel, (Figure 1).

**NOTE:** The corner connector should be inserted before any storage or surface brackets except flipper cabinets.

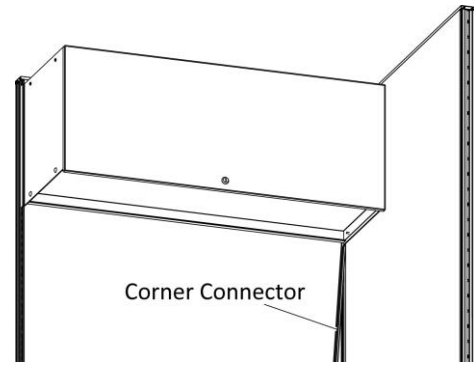


**Figure 1**

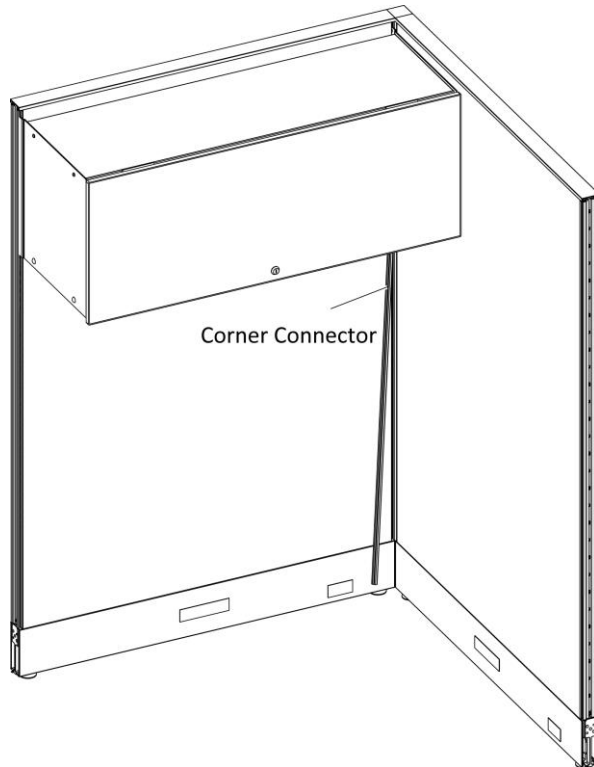
## Tools & Hardware Needed


# Corner Connector Installation with Flipper Cabinet

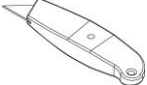
1. Measure down from the bottom of the flipper cabinet to the top of the raceway cover, (Figure 1).
2. Cut the corner connector to size using a utility knife.
3. Starting from the bottom of the flipper cabinet, press in the corner connector between the vertical slot extrusion located at the ends of each panel, (Figure 2).



**Figure 1**



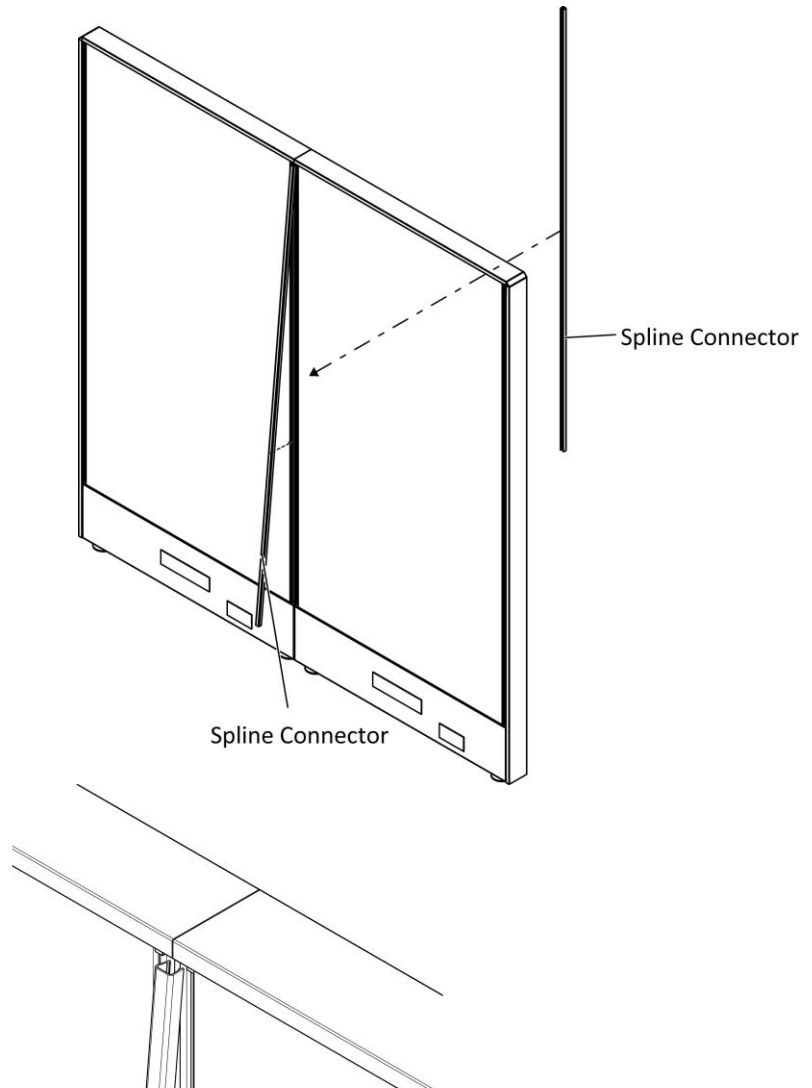
## Tools & Hardware Needed

				
Utility Knife				

# Spline Connector Installation

1. Starting from the top of the panels, press in the spline connector between the vertical slot extrusion located at the ends of each panel, (Figure 1).

**NOTE: The spline connector should be inserted before any storage or surface brackets.**

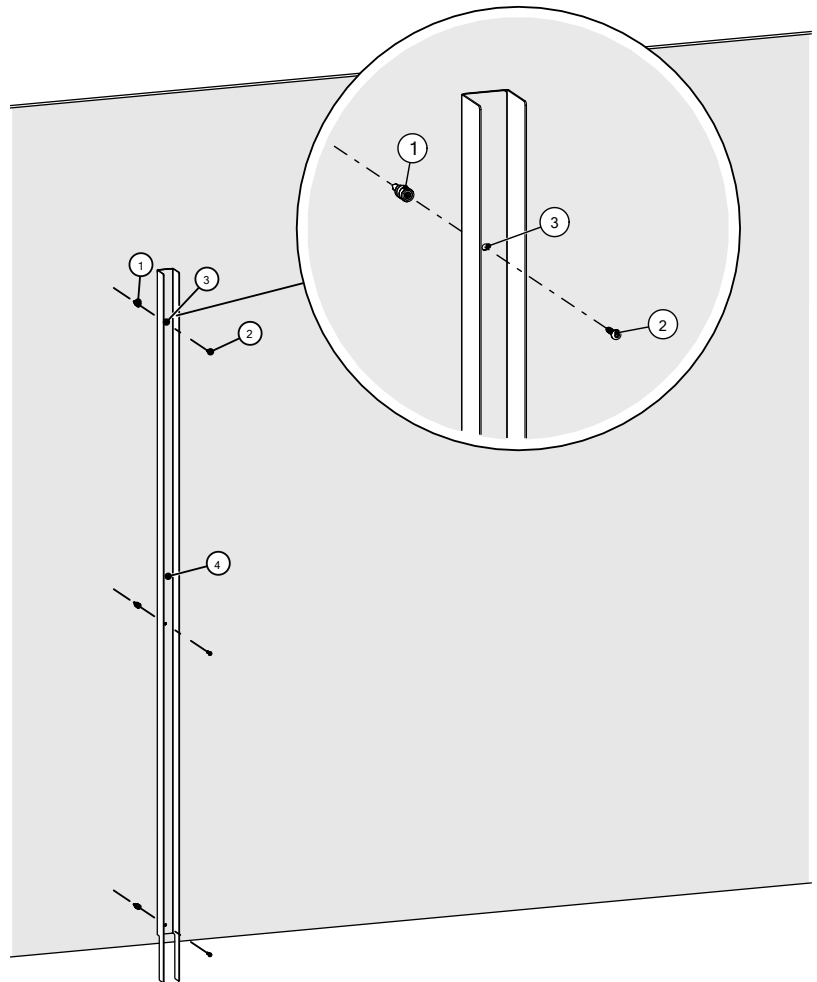


**Figure 1**

## Tools & Hardware Needed


# Panel to Wall Connection

1. Measure the height of the panel to be mounted from the floor to the top of the panel. Mark this height on the wall.
2. Place the wall connector channel against the wall using the mark as a guide. Check for plumbness.
3. Using a carpenter's level, level the wall connector channel.
4. Mark the wall with a pencil through the holes of the channel.
5. Remove the wall connector channel, then screw the EZEE Anchor to the wall through the markings.
6. Place the wall connector channel back onto the wall; line up the holes on both wall and channel, then place the #10 x 1" Pan Head screws provided through the holes and tighten, using #2 Robertson long bit, (Figure 1).



- ① EZEE ANCHOR
- ② HOLE
- ③ #10 X 1" PAN HEAD SCREW
- ④ WALL CONNECTOR CHANNEL

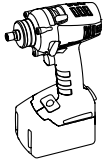

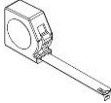
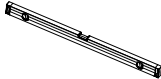
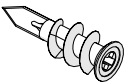

**Figure 1**

Continued on the next page >>

**NOTES:**

- Illustrations show anchorage to drywall. Only E-Z anchors are suitable for drywall installation which are provided by Tayco.
- Tayco is not responsible for providing the appropriate hardware for different types of wall construction for non-Tayco installations.

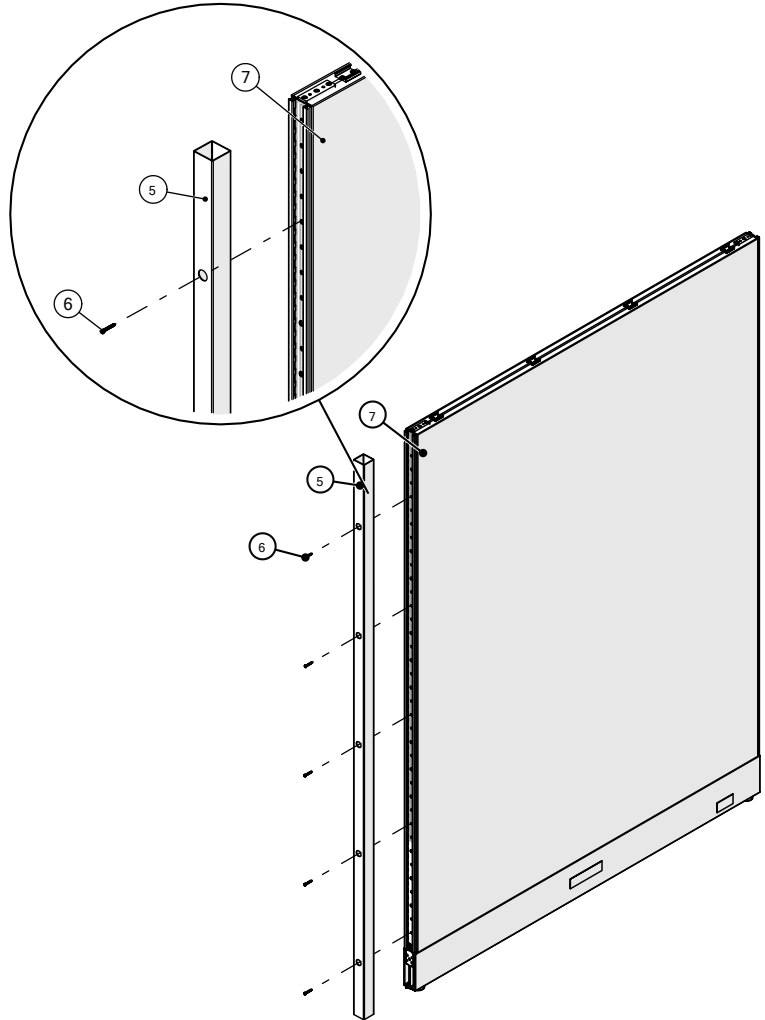
**Tools & Hardware Needed**

				8540-0793 
Drill	Robertson #2 Long Bit	Tape Measure	Carpenter's Level	EZEE Anchor
8540-0789 				
#10 X 1" Pan Head Screw				

# Panel to Wall Connection

- Install the wall connector tube onto the edge of the panel using #8-15 x 1 1/4" Flat Head Screws, (Figure 2).

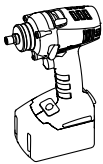
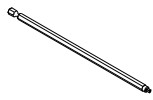

Continued on the next page >>



- 5 WALL CONNECTOR TUBE
- 6 #8-15 X 1 1/4" FLAT HEAD SCREW
- 7 SWITCH PANEL

**Figure 2**

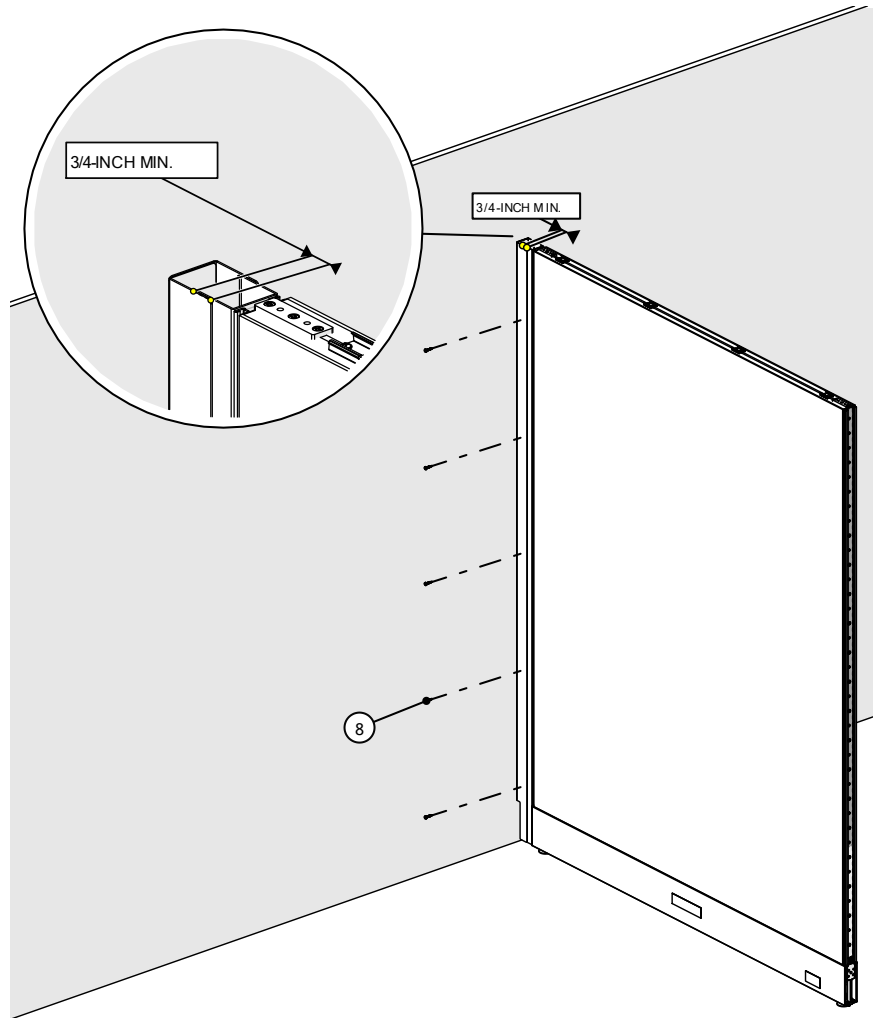
## Tools & Hardware Needed

		8540-1008 		
Drill	Robertson #2 Long Bit	#8-15 X 1 1/4" Flat Head Screw		

# Switch Panel to Wall Connection

8. Insert the wall connector tube into the wall connector channel according to the gap between the panel and the wall. Secure the wall connector tube with the panel on both sides using #10 X 1" Pan Head Self-Drilling Screws, (Figure 3).

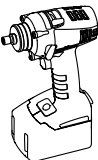


Continued on the next page >>



⑧ #10 X 1" PAN HEAD SELF-DRILLING SCREW

**Figure 3**

## Tools & Hardware Needed

		8540-1235 		
Drill	Robertson #2 Long Bit	#10x1" Self-Drilling Pan Head Screw		



# Panel to Wall Connection

- 9. Measure the length of the panel with the wall connector; cut the 66 inches top trim to size using a hacksaw.
- 10. Attach the top trim, please refer to the section "Top Trim Installation".

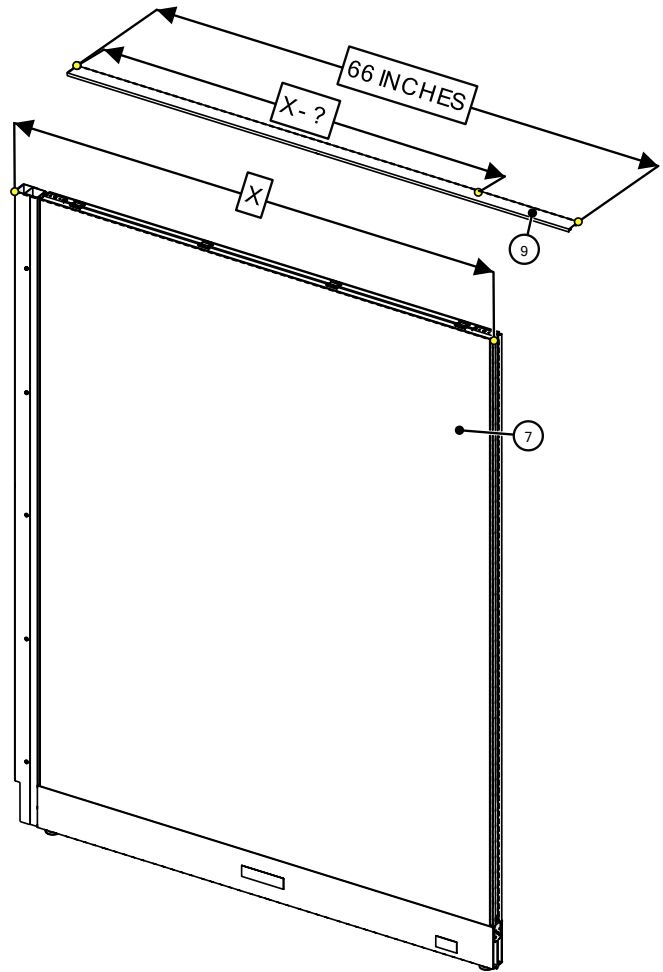
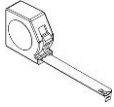
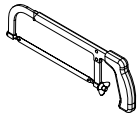


Figure 4

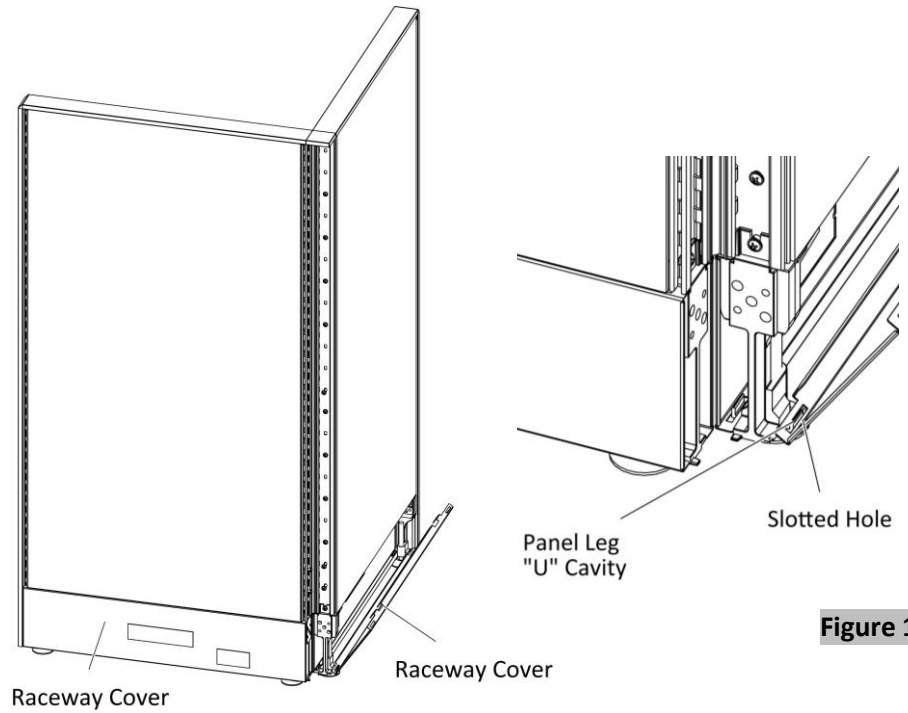
- 7 SWITCH PANEL
- 9 TOP TRIM

## Tools & Hardware Needed

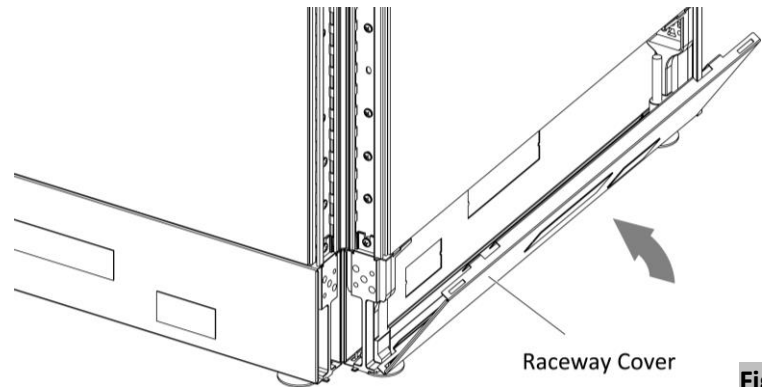
				
Tape Measure	Hack Saw			

# Raceway Cover Installation

1. Insert the panel leg "U" cavity into the two slotted holes at the bottom of the raceway cover, (Figure 1).
2. Raise the raceway cover and push gently to click, (Figure 2).



**Figure 1**

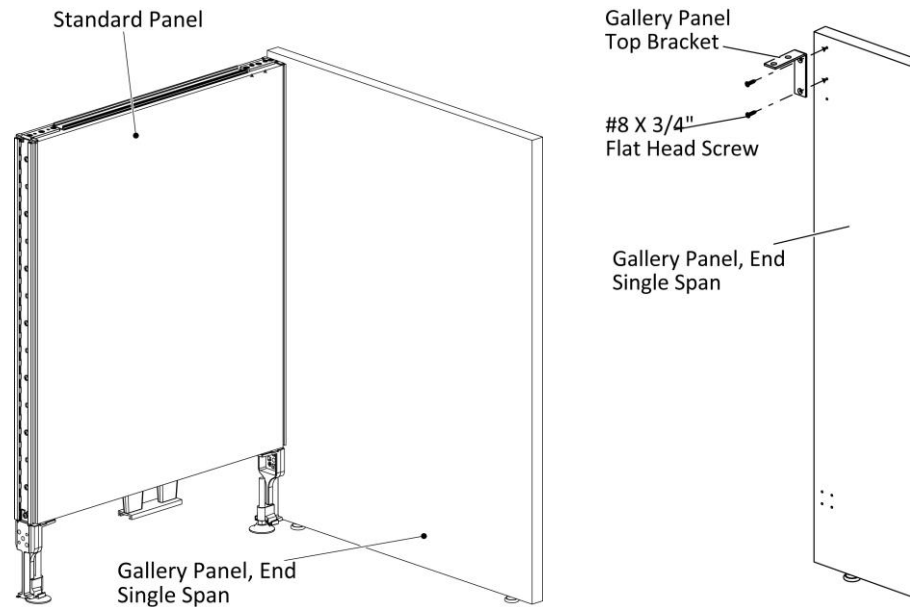


**Figure 2**

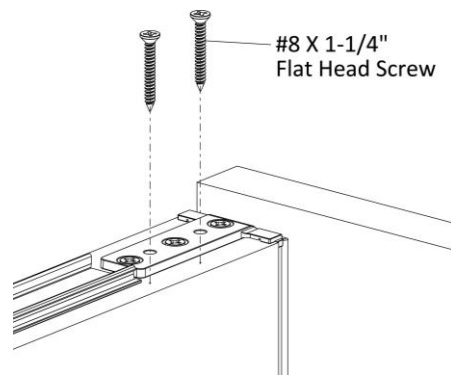
## Tools & Hardware Needed


# Gallery Panel, Single Span End

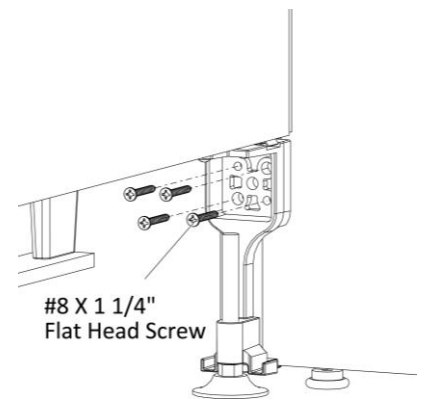
1. Position and align two holes in the gallery panel top bracket to pre-drilled holes in the gallery panel, (Figure 1).
2. Drive two #8 X 3/4" Flat Head Screws through the holes in the gallery panel top bracket into the pre-drilled holes of the gallery panel.
3. Position the standard panel and gallery panel to create a 90-degree connection.
4. Level the panels accordingly.
5. Drive two #8 X 1-1/4" Flat Head Screws through the holes in the gallery panel top bracket into the standard panel, (Figure 2).
6. Drive four #8 X 1-1/4" Flat Head Screws through the holes in the standard panel leg into the pre-drilled holes of the gallery panel, (Figure 3).



**Figure 1**

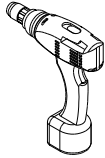
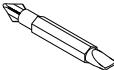
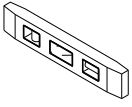
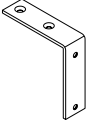




**Figure 2**



**Figure 3**

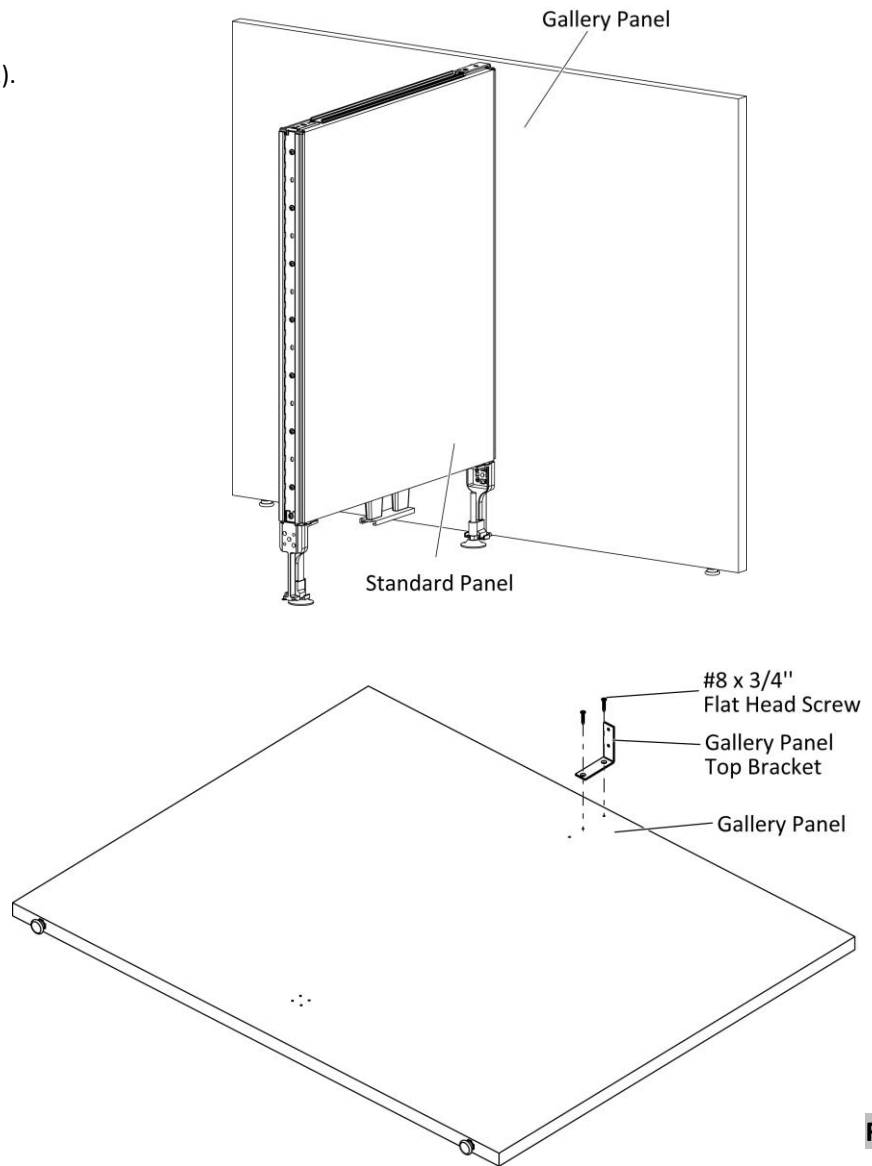
## Tools & Hardware Needed

			8393-0058 
Drill	Phillips #2 Bit or Robertson #2 Bit	Torpedo Level	Gallery Panel Top Bracket
8540-0532 	8540-1008 		
#8 X 3/4" Flat Head Screw (2X)	#8 X 1-1/4", Flat Head Screw (6X)		

# Gallery Panel, Double Span End, 1 Piece

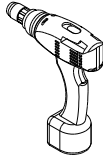
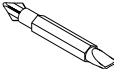
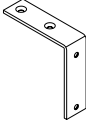

1. Position and align two holes in the panel top bracket to pre-drilled holes in the gallery panel, (Figure 1).
2. Drive two #8 X 3/4" Flat Head Screws through the holes in the gallery panel top bracket into the pre-drilled holes of the gallery panel.

Continued on the next page >>



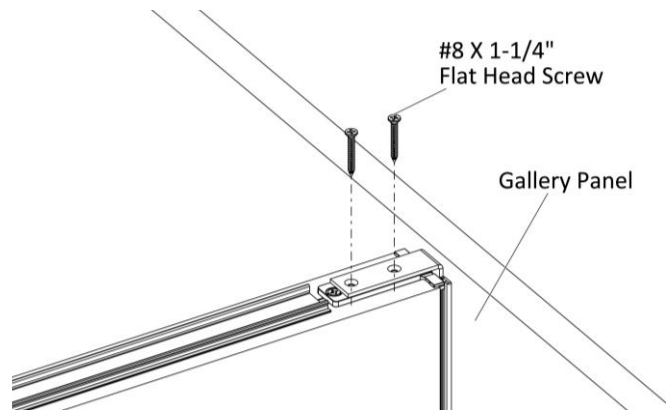
**Figure 1**

## Tools & Hardware Needed

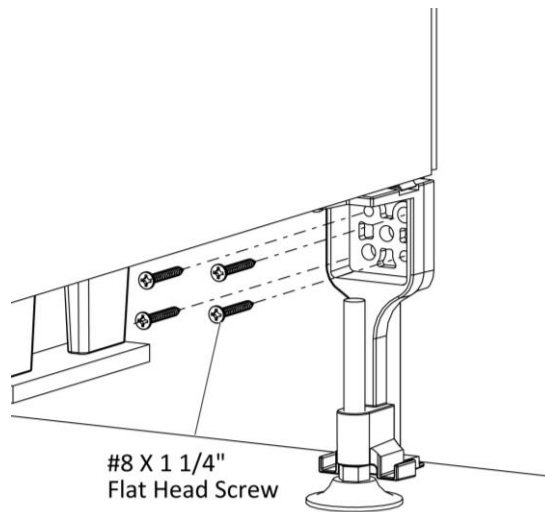
		8393-0058 	8540-0532 
Drill	Phillips #2 Bit or Robertson #2 Bit	Gallery Panel Top Bracket	#8 X 3/4" Flat Head Screw (2X)

# Gallery Panel, Double Span End, 1 Piece

3. Position the standard panel to create a "T" Configuration and level the panels accordingly, (Figure 2).
4. Drive two #8 X 1-1/4" Flat Head Screws through the holes in the gallery panel top bracket into the standard panel.
5. Drive four #8 X 1-1/4" Flat Head Screws through the holes in the standard panel leg into the pre-drilled holes of the gallery panel, (Figure 3).

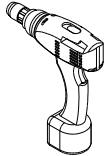
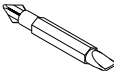
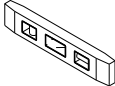



**Figure 2**



**Figure 3**

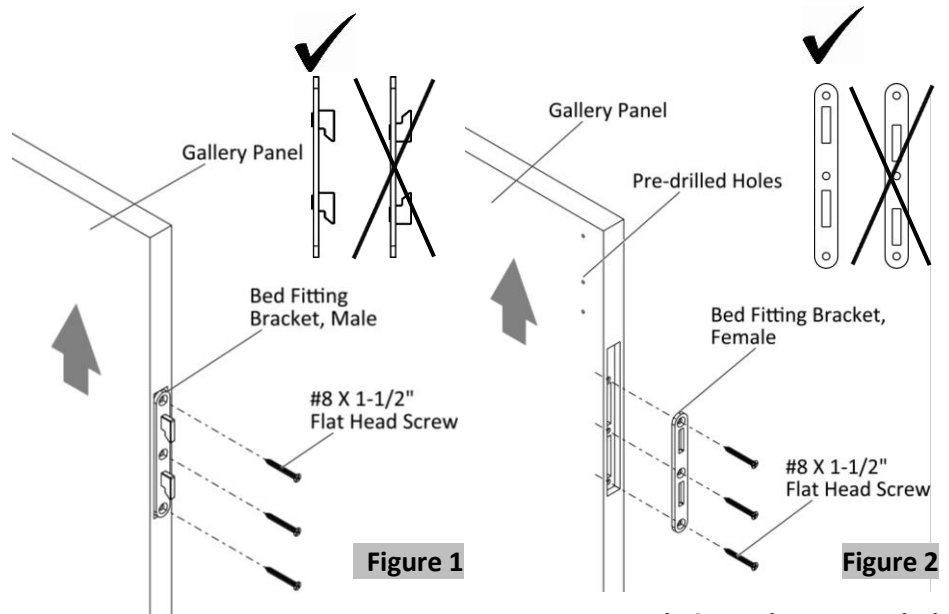
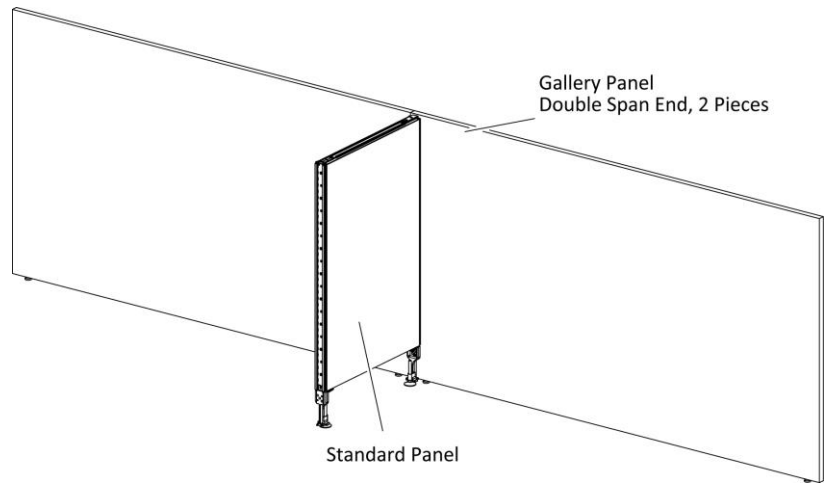
## Tools & Hardware Needed

			8540-1008 
Drill	Phillips #2 Bit or Robertson #2 Bit	Torpedo Level	#8 X 1-1/4", Flat Head Screw (6X)

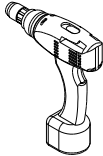
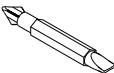



# Gallery Panel, Double Span End, 2 Pieces

1. Grab the gallery panel that has no pre-drilled holes.
2. Securely fasten the male bed fitting brackets with #8 X 1-1/2" Flat Head Screws into the gallery panel, (Figure 1).
3. Grab the other gallery panel that has pre-drilled holes.
4. Securely fasten the female bed fitting brackets with #8 X 1-1/2" Flat Head Screws into the gallery panel, (Figure 2).

Continued on the next page >>



## Tools & Hardware Needed

		8540-0948M 	8540-0948F 
Drill	Phillips #2 Bit or Robertson #2 Bit	Bed Fitting Bracket, Male (2X)	Bed Fitting Bracket, Female (2X)
8540-0591 			
#8 X 1-1/2" Flat Head Screw (12X)			

# Gallery Panel, Double Span End, 2 Pieces

5. Position and align the holes in the gallery panel top bracket to pre-drilled holes in the gallery panel with the female bed fitting bracket, (Figure 3).
6. Drive two #8 X 3/4" Flat Head Screws through the holes in the gallery panel top bracket into the pre-drilled holes of the gallery panel.
7. Position the standard panel and gallery panel with the panel top bracket to create a 90-degree angle.
8. Level the panels accordingly.
9. Drive two #8 X 1-1/4" Flat Head Screws through the holes in the gallery panel top bracket into the standard panel, (Figure 4).
10. Drive two #8 X 1-1/4" Flat Head Screws through the holes in the standard panel leg into the pre-drilled holes of the gallery panel, (Figure 5).
11. Attach the gallery panel with male bed fitting brackets by inserting the hooks into the female bed fitting bracket and releasing the gallery panel down to engage the lock, (Figure 6).
12. Level off the gallery panels (use the torpedo level).

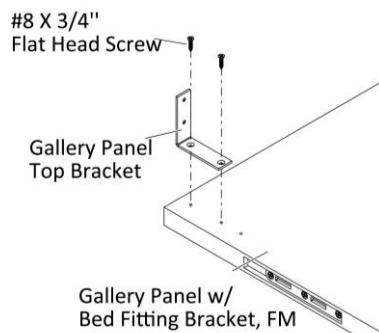


Figure 3

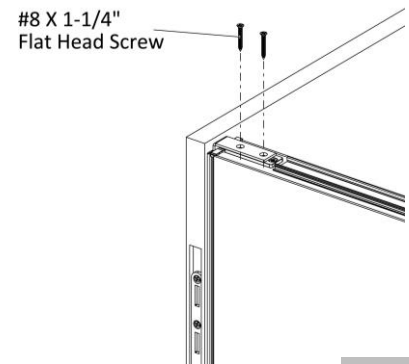


Figure 4

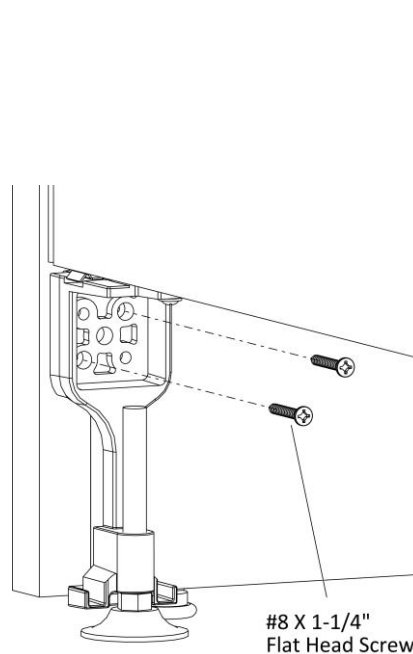


Figure 5

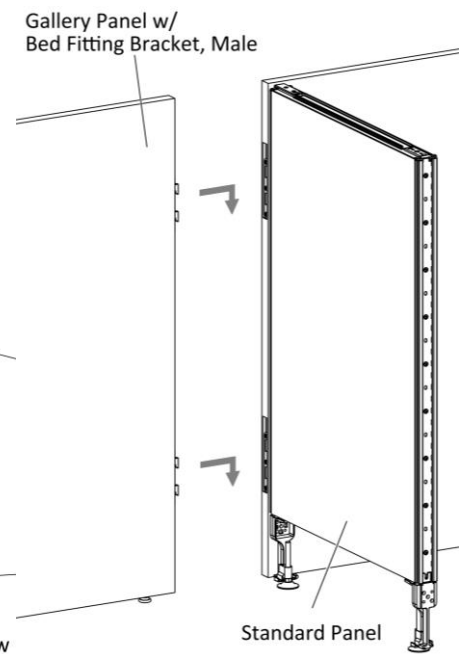

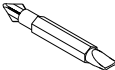
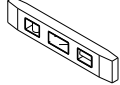
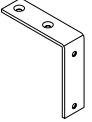




Figure 6

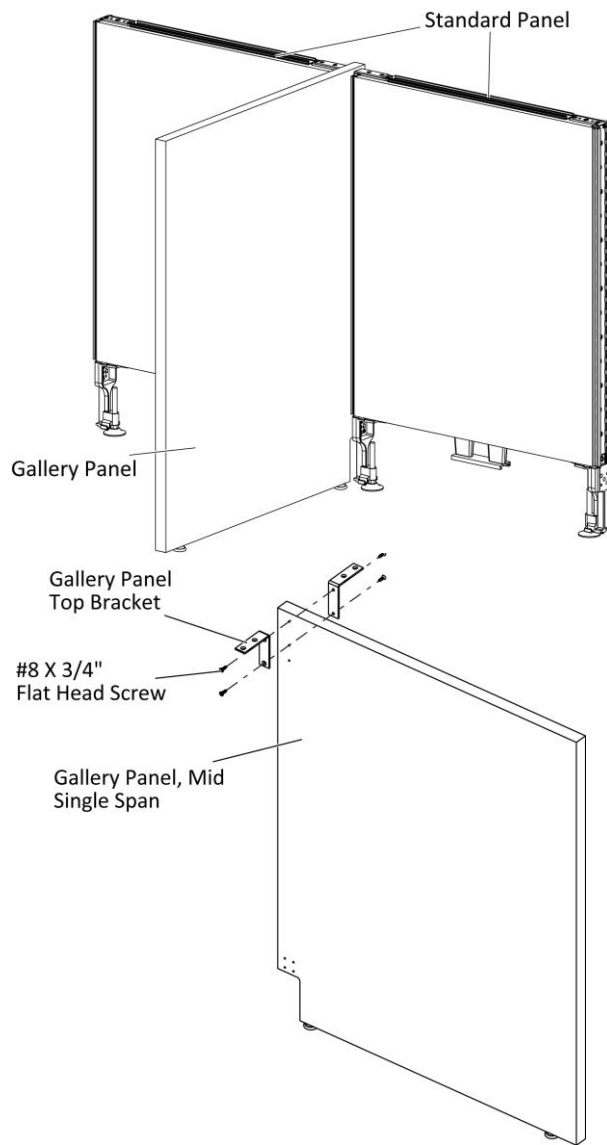
## Tools & Hardware Needed

			8393-0058 
Drill	Phillips #2 Bit or Robertson #2 Bit	Torpedo Level	Gallery Panel Top Bracket
8540-0532 	8540-1008 		
#8 X 3/4" Flat Head Screw (2X)	#8 X 1-1/4", Flat Head Screw (4X)		

# Gallery Panel, Single Span Mid

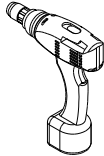
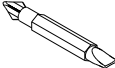
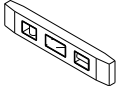
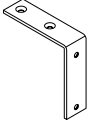

1. Position and align holes in the gallery panel top bracket to pre-drilled holes in the gallery panel, (Figure 1).
2. Drive two #8 X 3/4" Flat Head Screws through the holes in the gallery panel top bracket into the pre-drilled holes of the gallery panel.
3. Follow Steps 1 and 2 to install the remaining gallery panel top bracket on the other side of the gallery panel.

Continued on the next page >>



**Figure 1**

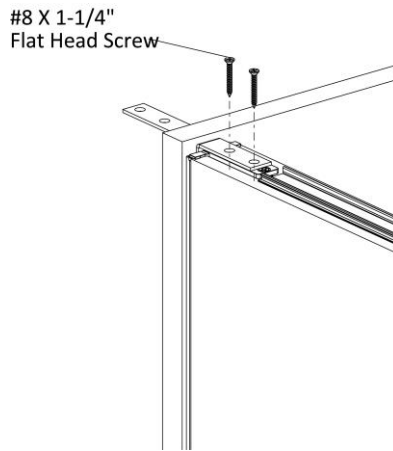
## Tools & Hardware Needed

			8393-0058 
Drill	Phillips #2 Bit or Robertson #2 Bit	Torpedo Level	Gallery Panel Top Bracket (2X)
8540-0532 			
#8 X 3/4" Flat Head Screw (4X)			

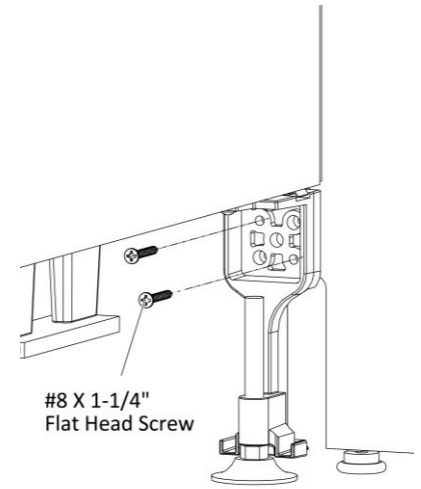


# Gallery Panel, Single Span Mid

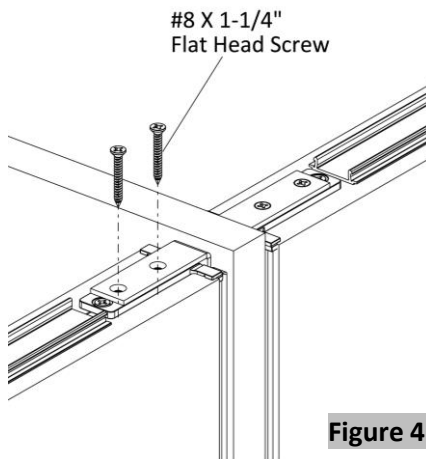
4. Position the standard panel to create a 90-degree connection and level the panels accordingly.
5. Drive two #8 X 1-1/4" Flat Head Screws through the holes in the gallery panel top bracket into the standard panel, (Figure 2).
6. Drive two #8 X 1-1/4" Flat Head Screws through the holes in the standard panel leg into the pre-drilled holes of the gallery panel, (Figure 3).
7. Position the other standard panel to create a "T" connection and level the panels accordingly.
8. Follow **Steps 5** and **6** to install the other standard panel, (Figures 4 and 5).



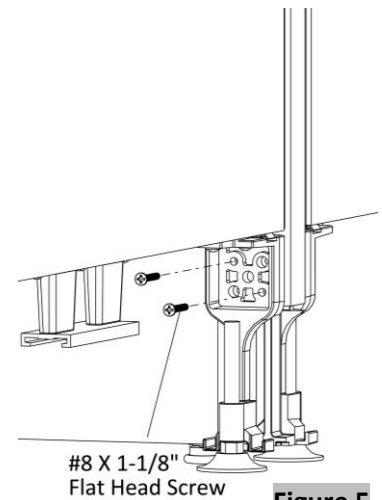
**Figure 2**



**Figure 3**

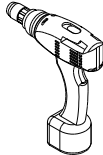
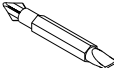
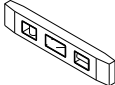



**Figure 4**



**Figure 5**

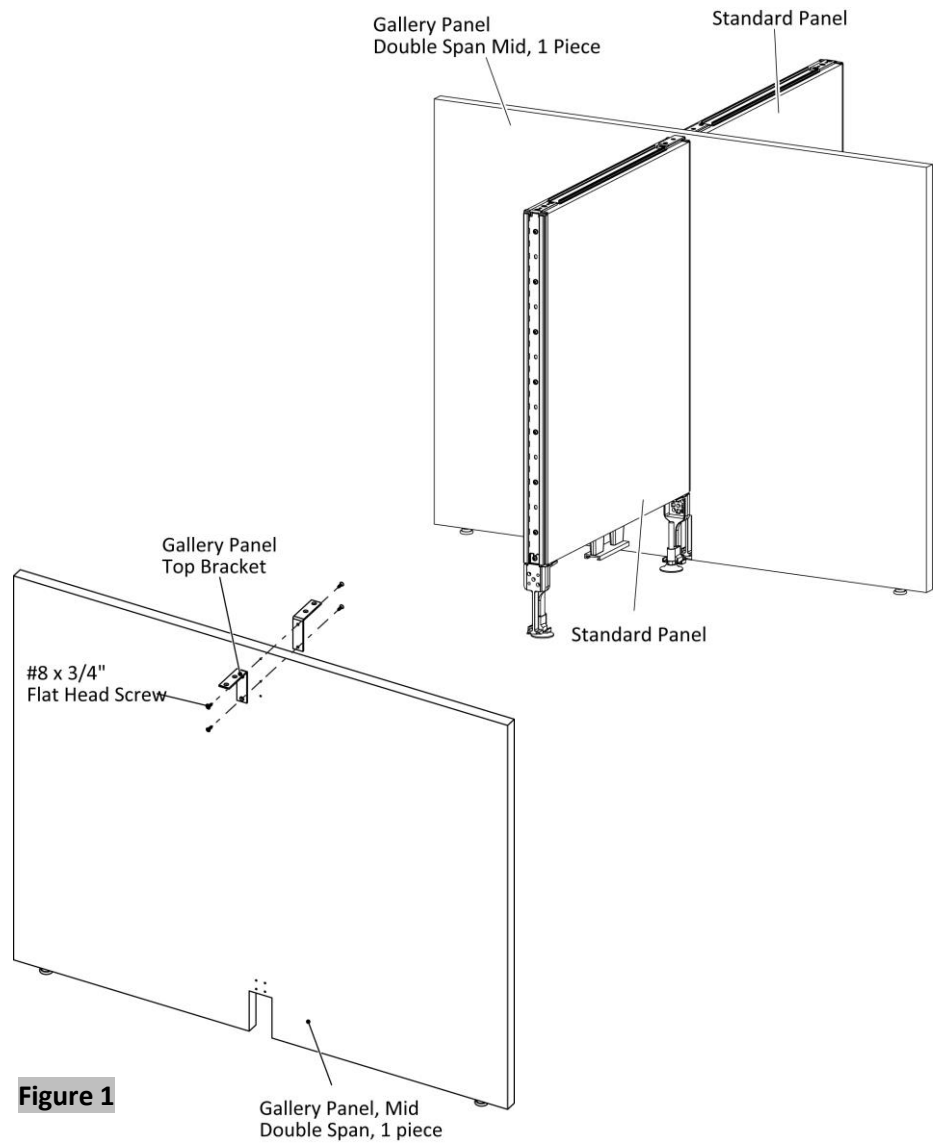
## Tools & Hardware Needed

			8540-1008 
Drill	Phillips #2 Bit or Robertson #2 Bit	Torpedo Level	#8 X 1-1/4", Flat Head Screw (8X)

# Gallery Panel, Double Span Mid, 1 Piece

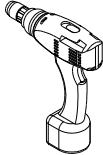
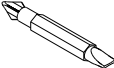
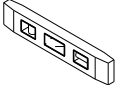
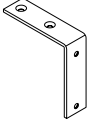

1. Position and align the holes in the gallery panel top bracket to pre-drilled holes in the gallery panel, (Figure 1).
2. Drive two #8 X 3/4" Flat Head Screws through the holes in the gallery panel top bracket into the pre-drilled holes of the gallery panel.
3. Follow Steps 1 and 2 to install the remaining gallery panel top bracket on the other side of the gallery panel.

Continued on the next page >>



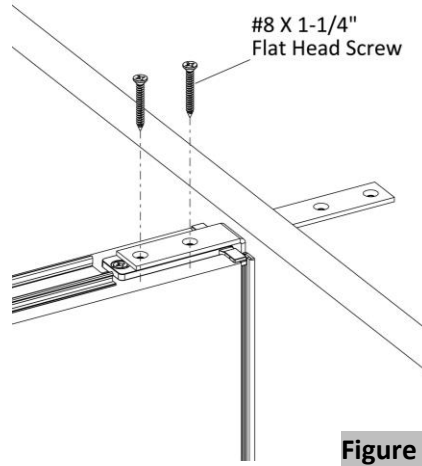
**Figure 1**

## Tools & Hardware Needed

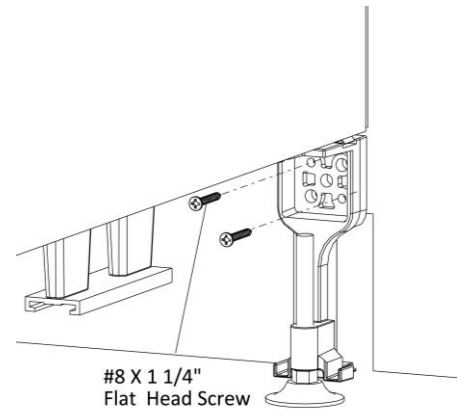
			8393-0058 
Drill	Phillips #2 Bit or Robertson #2 Bit	Torpedo Level	Gallery Panel Top Bracket (2X)
8540-0532 			
#8 X 3/4" Flat Head Screw (4X)			

# Gallery Panel, Double Span Mid, 1 Piece

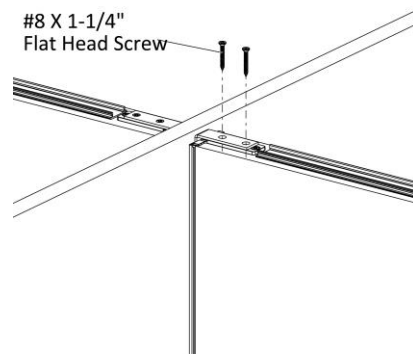
4. Position the standard panel perpendicular to the gallery panel with the top bracket and level the panels accordingly.
5. Drive two #8 X 1-1/4" Flat Head Screws through the holes in the gallery panel top bracket into the standard panel, (Figure 2).
6. Drive two #8 X 1-1/4" Flat Head Screws through the holes in the standard panel leg into the pre-drilled holes of the gallery panel, (Figure 3).
7. Position the other standard panel and level the panels accordingly.
8. Follow **Steps 5 and 6** to install the other standard panel, (Figures 4 and 5).



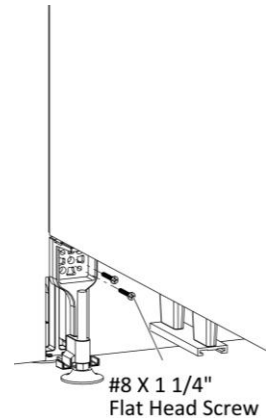
**Figure 2**



**Figure 3**

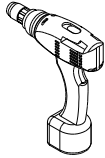
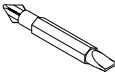
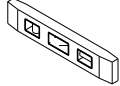



**Figure 4**



**Figure 5**

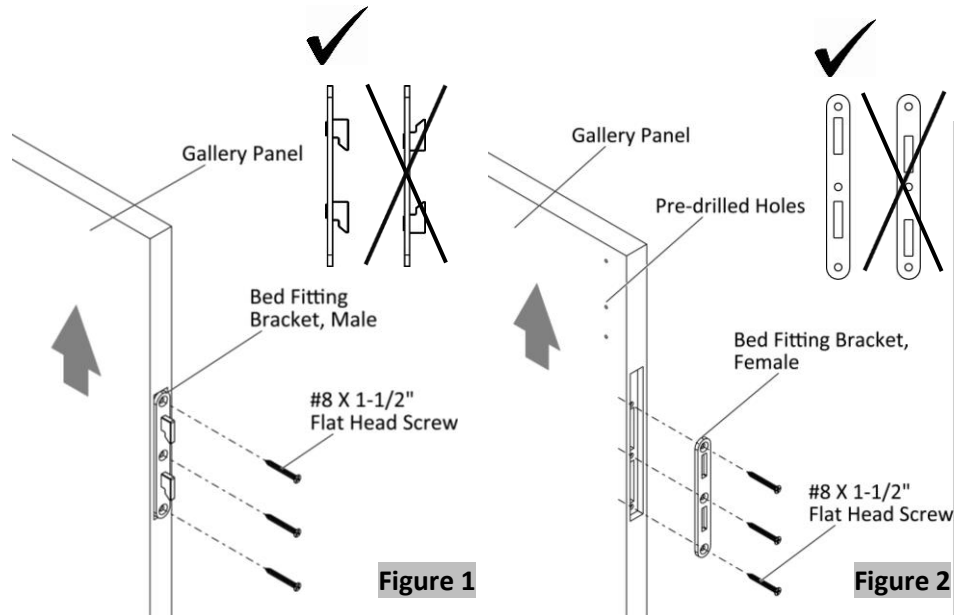
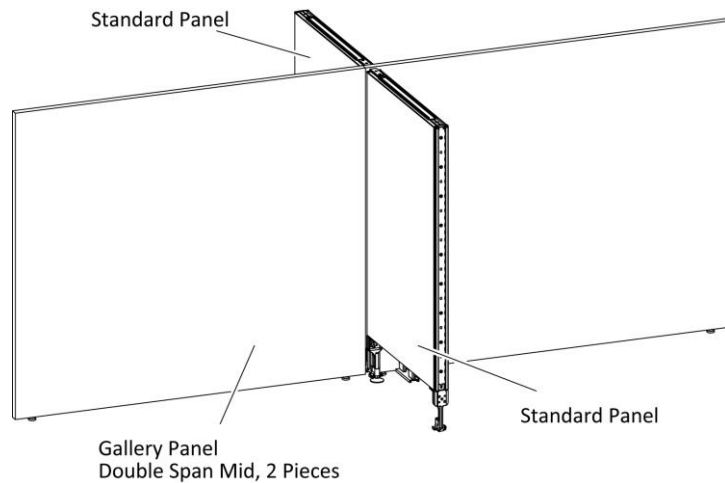
## Tools & Hardware Needed

			8540-1008 
Drill	Phillips #2 Bit or Robertson #2 Bit	Torpedo Level	#8 X 1-1/4", Flat Head Screw (8X)

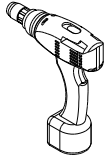
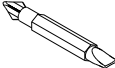



# Gallery Panel, Double Span Mid, 2 Pieces

1. Grab the gallery panel that has no pre-drilled holes.
2. Securely fasten the male bed fitting brackets with #8 X 1-1/2" Flat Head Screws into the gallery panel, (Figure 1).
3. Grab the other gallery panel that has pre-drilled holes.
4. Securely fasten the female bed fitting brackets with #8 X 1-1/2" Flat Head Screws into the gallery panel, (Figure 2).

Continued on the next page >>



## Tools & Hardware Needed

		8540-0948-M 	8540-0948-F 
Drill	Phillips #2 Bit or Robertson #2 Bit	Bed Fitting Bracket, Male (2X)	Bed Fitting Bracket, Female (2X)
8540-0591 			
#8 X 1-1/2" Flat Head Screw (12X)			

# Gallery Panel, Double Span Mid, 2 Pieces

5. Position and align the holes in the gallery panel top bracket to pre-drilled holes in the gallery panel with the female bed fitting bracket, (Figure 3).
6. Drive two #8 X 3/4" Flat Head Screws through the holes in the gallery panel top bracket into the pre-drilled holes of the gallery panel.
7. Follow Steps 5 and 6 to install the other gallery panel top bracket.
8. Position the standard panel and gallery panel with the panel top brackets to create a 90-degree angle, (Figure 4).
9. Level the panels accordingly.
10. Drive two #8 X 1-1/4" Flat Head Screws through the holes in the gallery panel top bracket into the standard panel.
11. Drive two #8 X 1-1/4" Flat Head Screws through the holes in the standard panel leg into the pre-drilled holes of the gallery panel, (Figure 5).
12. Attach the gallery panel with male bed fitting brackets by inserting the hooks into the female bed fitting bracket and releasing the gallery panel down to engage the lock, (Figure 6).
13. Level off the gallery panels (use the torpedo level).
14. Position the other standard panel to create a 4-way configuration.
15. Follow Steps 9,10, 11, 12, and 13 to attach the other standard panel.

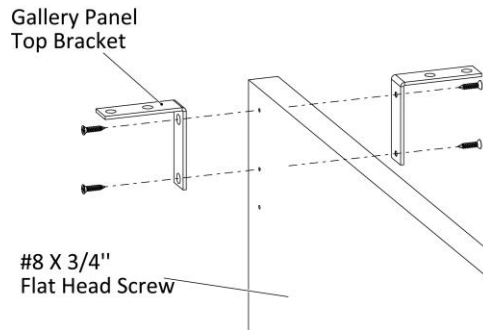


Figure 3

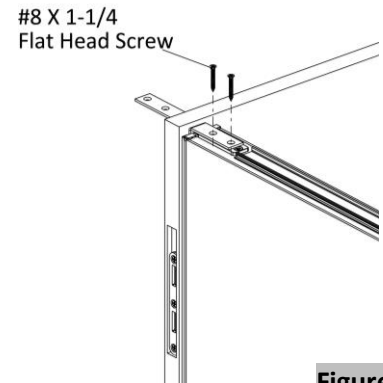


Figure 4

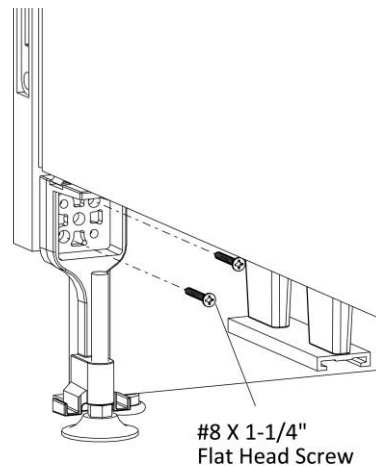


Figure 5

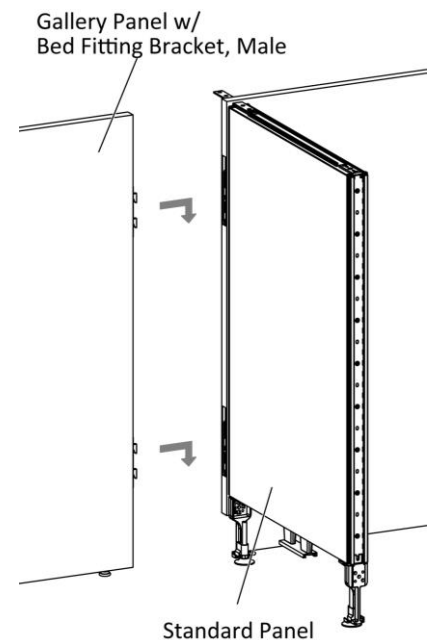
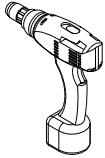
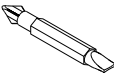
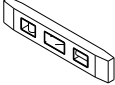
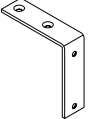




Figure 6

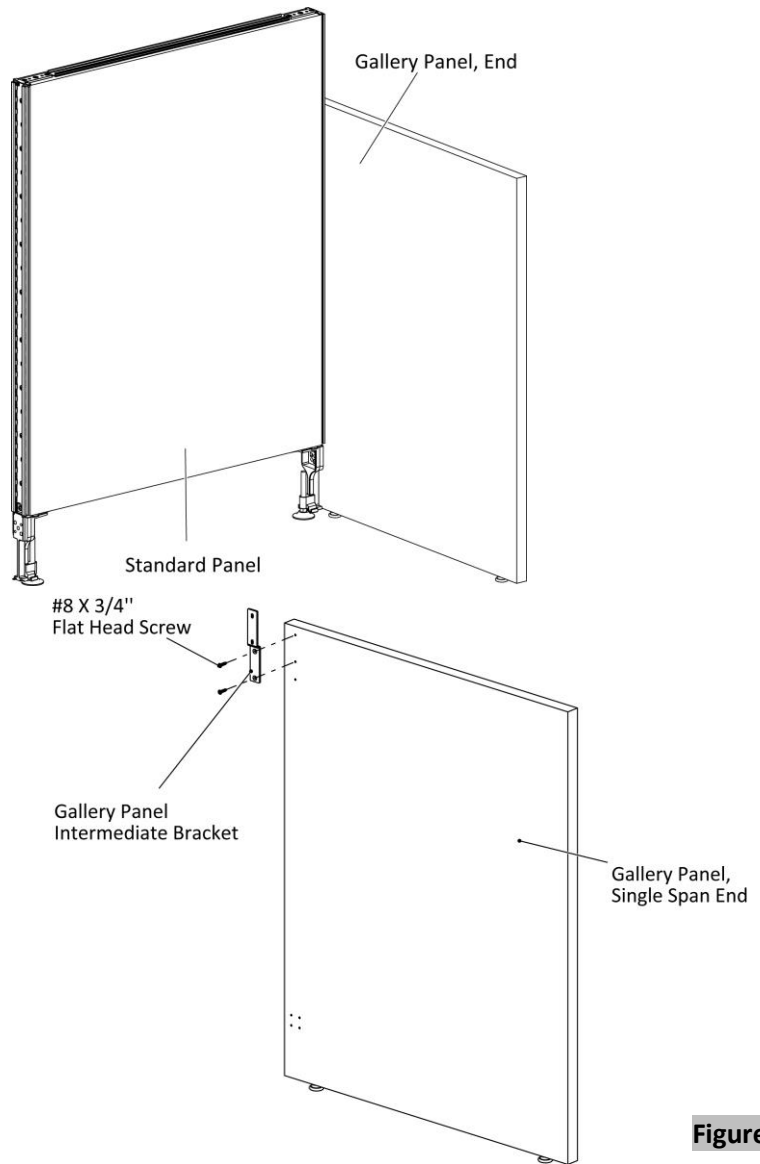
## Tools & Hardware Needed

			8393-0058 
Drill	Phillips #2 Bit or Robertson #2 Bit	Torpedo Level	Gallery Panel Top Bracket (2X)
8540-0532 	8540-1008 		
#8 X 3/4" Flat Head Screw (4X)	#8 X 1-1/4", Flat Head Screw (4X)		

# Gallery Panel, Single Span Step-down, End

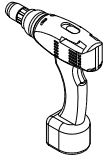
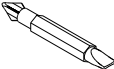


1. Position and align holes in the gallery panel intermediate bracket to pre-drilled holes, (Figure 1).
2. Drive two #8 x 3/4" Flat Head Screws through the holes in the gallery panel intermediate bracket into the pre-drilled holes of the gallery panel.

Continued on the next page >>



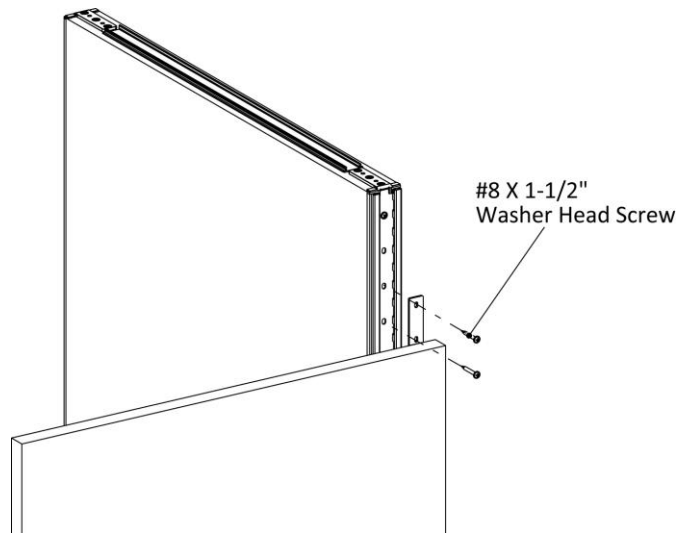
**Figure 1**

## Tools & Hardware Needed

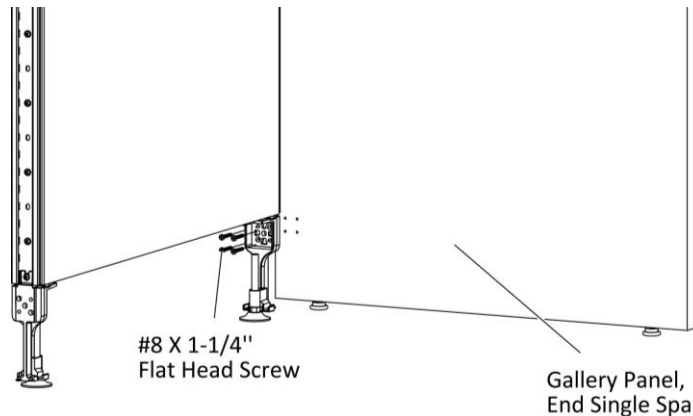
		8393-0056 	8540-0532 
Drill	Phillips #2 Bit or Robertson #2 Bit	Gallery Panel Intermediate Bracket	#8 X 3/4" Flat Head Screw (2X)

# Gallery Panel, Single Span Step-down, End

3. Position the standard panel and gallery panel to create a 90-degree connection.
4. Level the panels accordingly.
5. Drive two #8 x 1-1/2" Washer Head Screws through the holes in the gallery panel intermediate bracket into the standard panel, (Figure 2).
6. Drive four #8 X 1-1/4" Flat Head Screws through the holes in the standard panel leg into the pre-drilled holes of the gallery panel, (Figure 3).

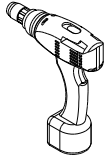
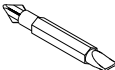
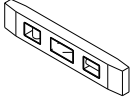




**Figure 2**



**Figure 3**

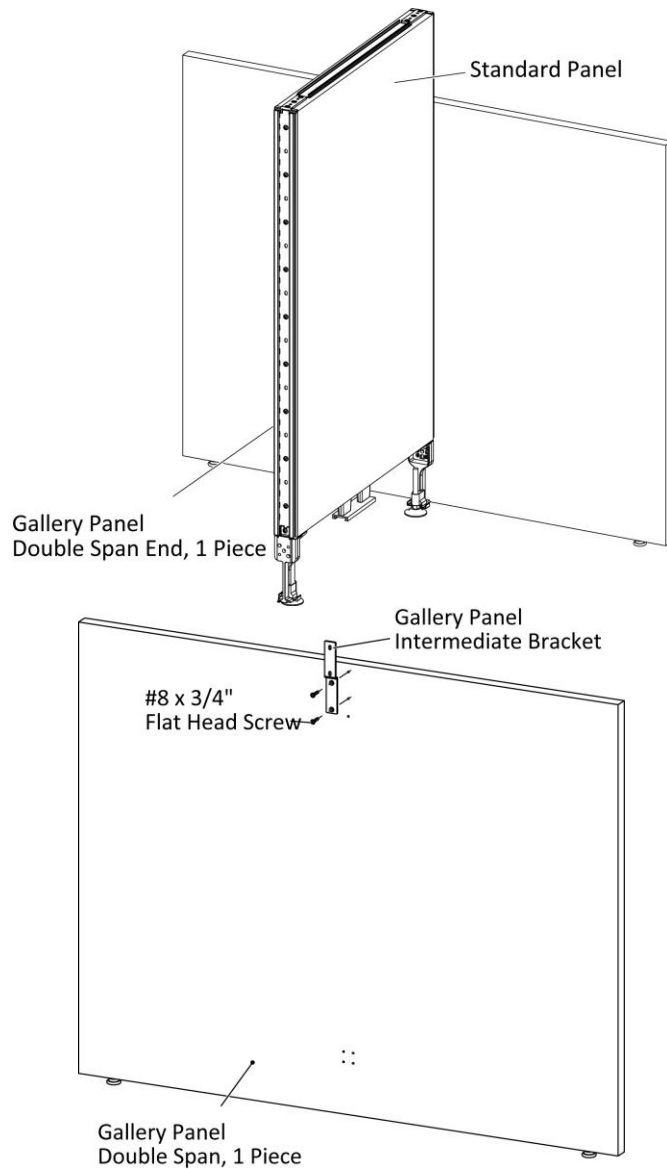
## Tools & Hardware Needed

			8540-1185 
Drill	Phillips #2 Bit or Robertson #2 Bit	Torpedo Level	#8 X 1-1/2" Washer Head Screw (2X)
8540-1008 			
#8 X 1-1/4", Flat Head Screw (6X)			

# Gallery Panel, Double Span Step-down End, 1 Piece

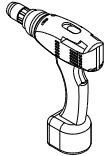
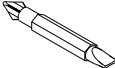


1. Position and align holes in the gallery panel intermediate bracket to pre-drilled holes, (Figure 1).
2. Drive two #8 x 3/4" Flat Head Screws through the holes in the gallery panel intermediate bracket into the pre-drilled holes of the gallery panel.

Continued on the next page >>



**Figure 1**

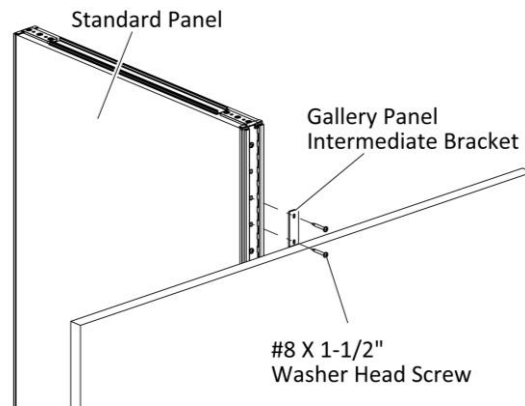
## Tools & Hardware Needed

		8393-0056 	8540-0532 
Drill	Phillips #2 Bit or Robertson #2 Bit	Gallery Panel Intermediate Bracket	#8 X 3/4" Flat Head Screw (2X)

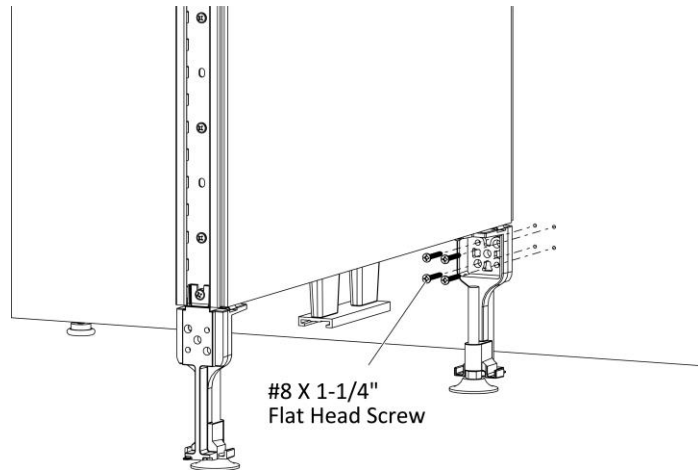


# Gallery Panel, Double Span Step-down End, 1 Piece

3. Position the standard panel perpendicular to the gallery panel and level the panels accordingly.
4. Drive two #8 x 1-1/2" Washer Head Screws through the holes in the gallery panel intermediate bracket into the standard panel, (Figure 2).
5. Drive four #8 X 1-1/4" Flat Head Screws through the holes in the standard panel leg into the pre-drilled holes of the gallery panel, (Figure 3).

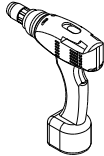
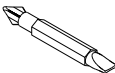
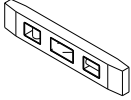




**Figure 2**



**Figure 3**

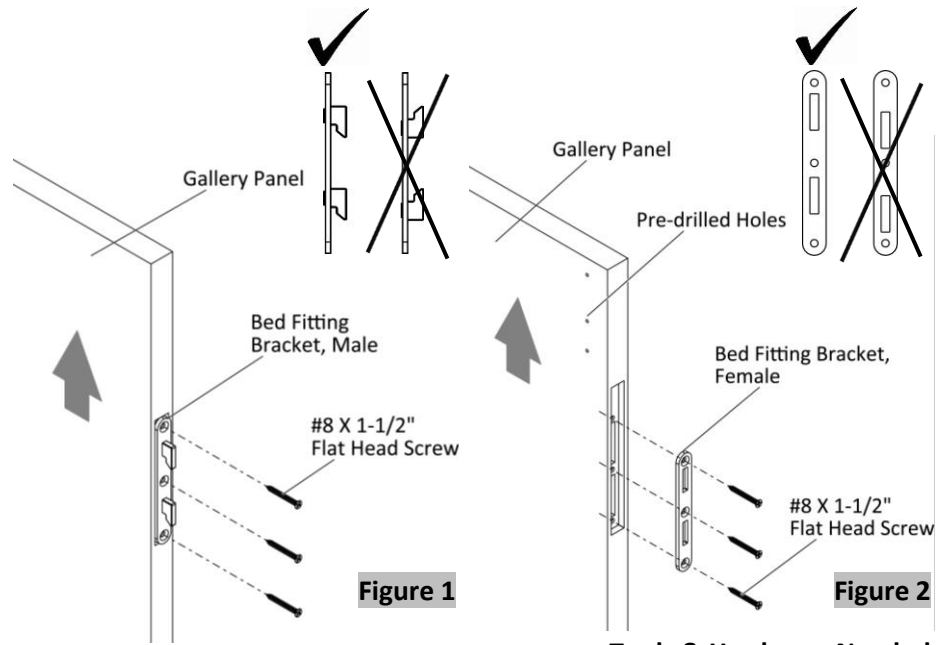
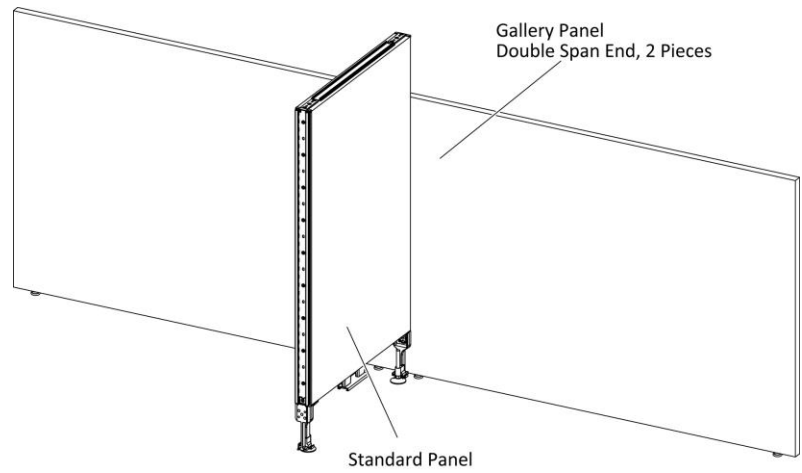
## Tools & Hardware Needed

			8540-1185 
Drill	Phillips #2 Bit or Robertson #2 Bit	Torpedo Level	#8 X 1-1/2" Washer Head Screw (2X)
8540-1008 			
#8 X 1-1/4", Flat Head Screw (4X)			

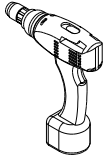
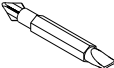



# Gallery Panel, Double Span Step-down End, 2 Pieces

1. Grab the gallery panel that has no pre-drilled holes.
2. Securely fasten the male bed fitting brackets with #8 X 1-1/2" Flat Head Screws into the gallery panel, (Figure 1).
3. Grab the other gallery panel that has pre-drilled holes.
4. Securely fasten the female bed fitting brackets with #8 X 1-1/2" Flat Head Screws into the gallery panel, (Figure 2).

Continued on the next page >>



## Tools & Hardware Needed

		8540-0948-M 	8540-0948-F 
Drill	Phillips #2 Bit or Robertson #2 Bit	Bed Fitting Bracket, Male (2X)	Bed Fitting Bracket, Female (2X)
8540-0591 			
#8 X 1-1/2" Flat Head Screw (12X)			

# Gallery Panel, Double Span Step-down End, 2 Pieces

5. Position and align holes in the gallery panel intermediate bracket to pre-drilled holes in the gallery panel with female bed fitting brackets, (Figure 3).
6. Drive two #8 X 3/4" Flat Head Screws through the holes in the gallery panel intermediate bracket into the pre-drilled holes of the gallery panel.
7. Position the gallery panel with a female bed fitting bracket and standard panel to create a 90-degree angle, (Figure 4).
8. Drive two #8 X 1-1/2" Washer Head Screws through the holes in the gallery panel intermediate bracket into the standard panel.
9. Drive four #8 x 1-1/4" Flat Head Screws through the holes in the standard panel leg into the pre-drilled holes of the gallery panel, (Figure 5).
10. Attach the gallery panel with male bed fitting brackets by inserting the hooks into the female bed fitting bracket and releasing the gallery panel down to engage the lock, (Figure 6).
11. Level off the gallery panels (use the torpedo level).

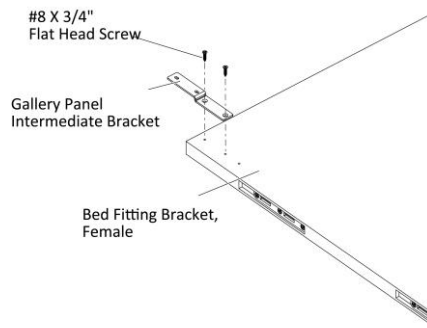


Figure 3

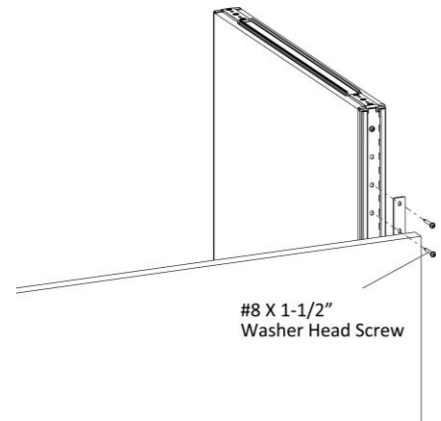


Figure 4

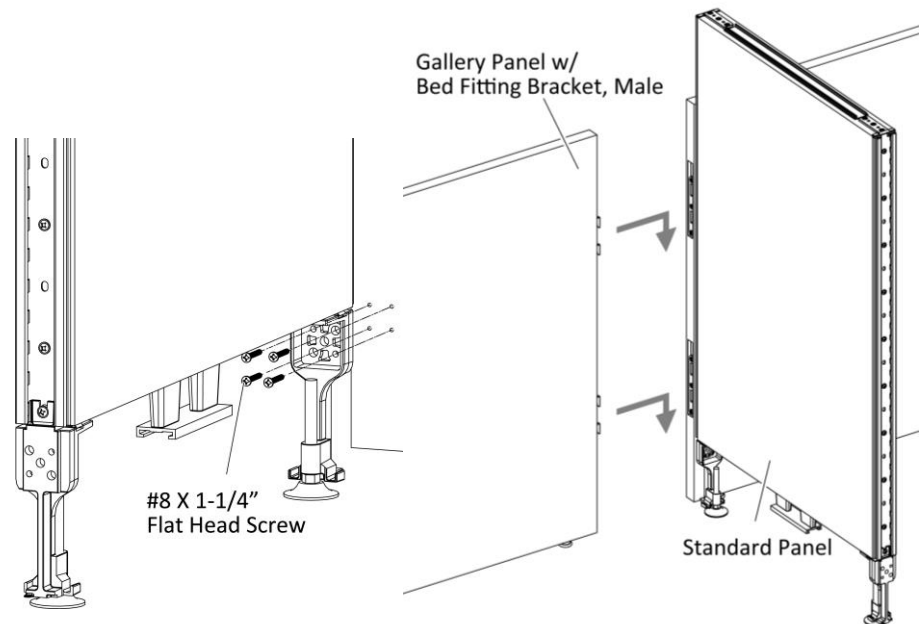
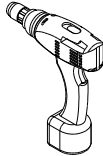
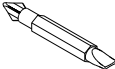
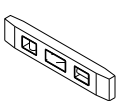






Figure 5

Figure 6

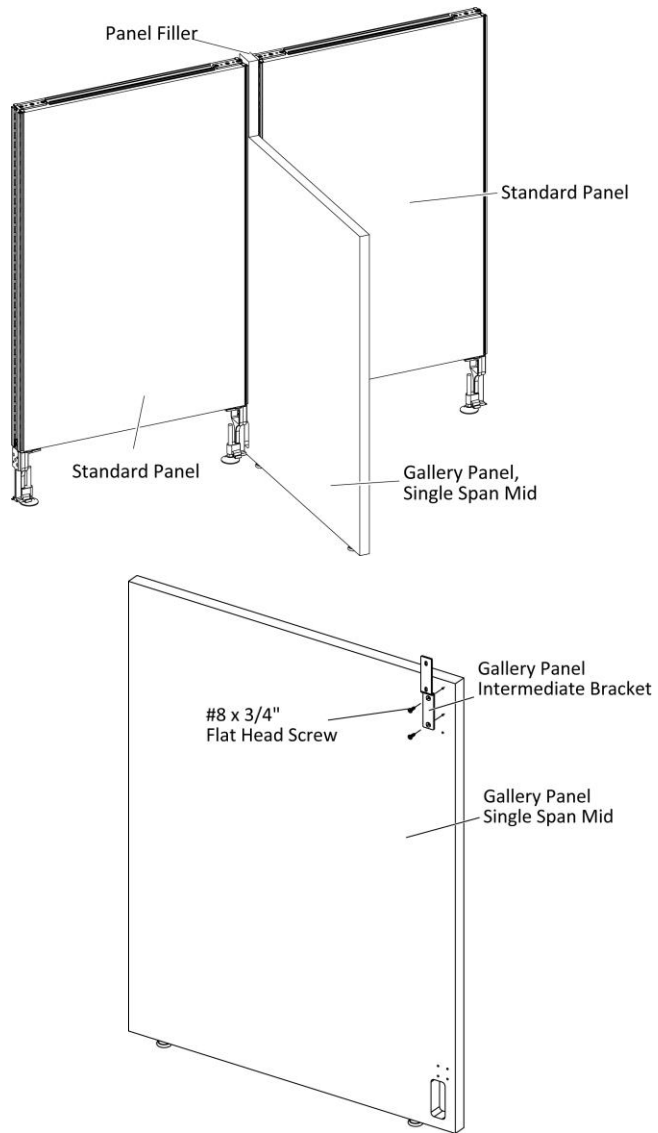
## Tools & Hardware Needed

			8393-0056 
Drill	Phillips #2 Bit or Robertson #2 Bit	Torpedo Level	Gallery Panel Intermediate Bracket
8540-0532 	8540-1185 	8540-1008 	
#8 X 3/4" Flat Head Screw (2X)	#8 X 1-1/2" Washer Head Screw (2X)	#8 X 1-1/4", Flat Head Screw (4X)	

# Gallery Panel, Single Span Step-down Mid

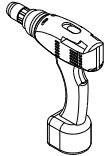
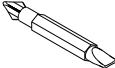


1. Position and align holes in the gallery panel intermediate bracket to pre-drilled holes, (Figure 1).
2. Drive two #8 x 3/4" Flat Head Screws through the holes in the gallery panel intermediate bracket into the pre-drilled holes of the gallery panel.

Continued on the next page >>



**Figure 1**

## Tools & Hardware Needed

		8393-0056 	8540-0532 
Drill	Phillips #2 Bit or Robertson #2 Bit	Gallery Panel Intermediate Bracket	#8 X 3/4" Flat Head Screw (2X)

# Gallery Panel, Single Span Step-down Mid

3. Position the standard panel and the gallery panel to create a 90-degree connection, (Figure 2).
4. Level the panels accordingly.
5. Drive two #8 X 1-1/2" Washer Head Screws through the holes in the gallery panel intermediate bracket into the standard panel.
6. Drive two #8 x 1-1/4" Flat Head Screws through the holes in the standard panel leg into the pre-drilled holes of the gallery panel, (Figure 3).
7. Securely fasten gallery panel top brackets to gallery panel filler using #8 X 3/4" Flat Head Screws, (Figure 4).

Continued on the next page >>

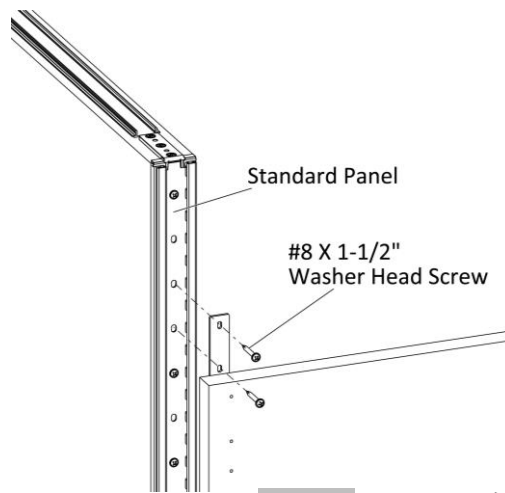


Figure 2

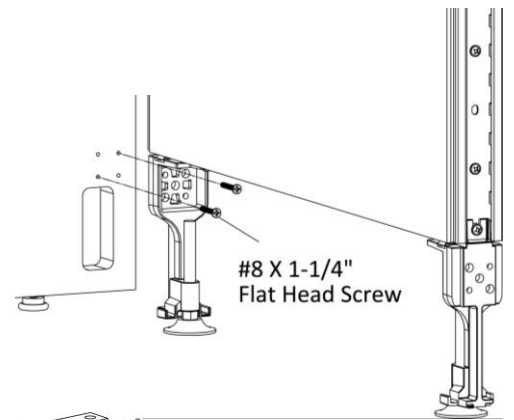


Figure 3

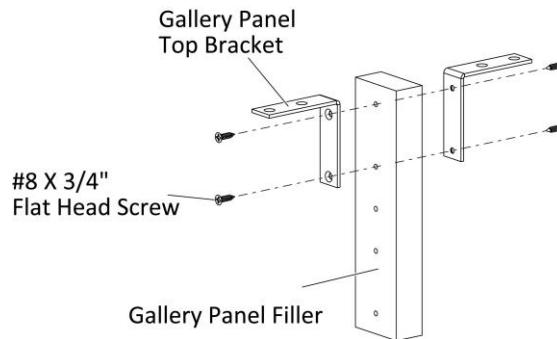

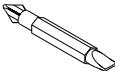
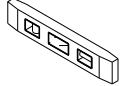


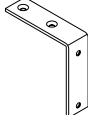



Figure 4

## Tools & Hardware Needed

			8540-1185 
Drill	Phillips #2 Bit or Robertson #2 Bit	Torpedo Level	#8 X 1-1/2" Washer Head Screw (2X)
8540-1008 	8393-0058 	8540-0532 	
#8 X 1-1/4", Flat Head Screw (2X)	Gallery Panel Top Bracket (2X)	#8 X 3/4" Flat Head Screw (4X)	

# Gallery Panel, Single Span Step-down Mid

8. Position the gallery panel filler over the gallery panel.
9. Position and align the holes in the gallery panel intermediate bayonet to pre-drilled holes in the gallery panel filler and gallery panel, (Figure 5).
10. Attach the gallery panel intermediate bayonet to the gallery panel filler and gallery panel using #10 X 11/16" Round Head Screws.
11. Place the other panel in position and level it accordingly.
12. Drive four #8 X 1-1/4" Flat Head Screws through the holes in the top connector brackets into the panel, (Figure 6).

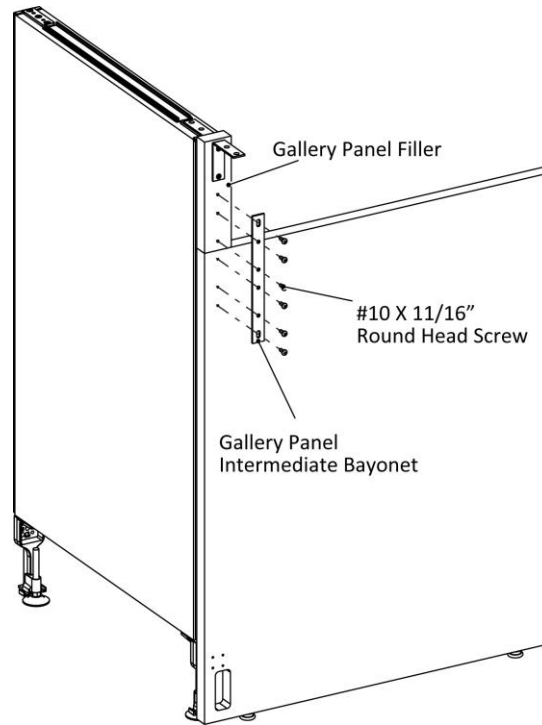


Figure 5

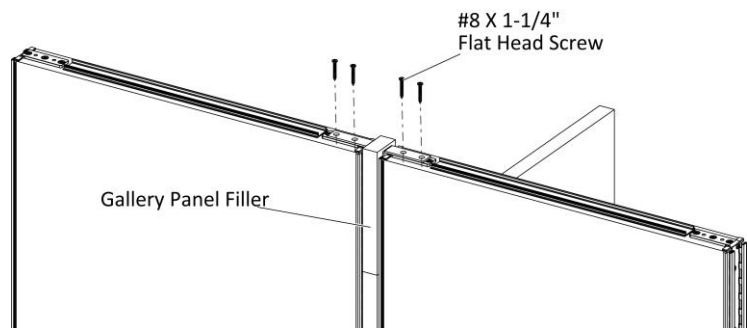
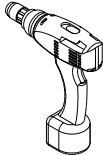
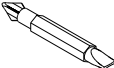
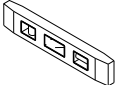





Figure 6

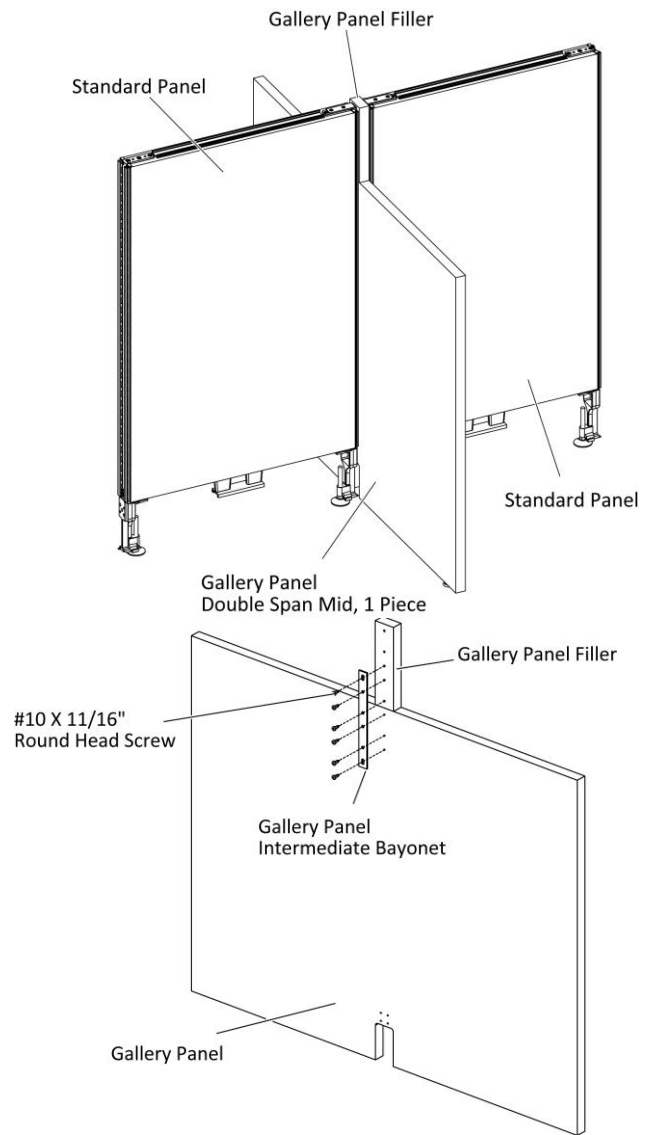
## Tools & Hardware Needed

			8393-0059 
Drill	Phillips #2 Bit or Robertson #2 Bit	Torpedo Level	Bayonet
8540-0545 	8540-1008 		
#10 X 11/16" Round Head Screw (6X)	#8 X 1-1/4", Flat Head Screw (6X)		

# Gallery Panel, Double Span Step-down Mid, 1 Piece

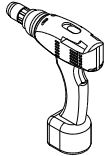
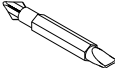


1. Position the gallery panel filler over the gallery panel, (Figure 1).
2. Align the holes in the gallery panel intermediate bayonet to pre-drilled holes in the gallery panel and filler.
3. Attach the gallery panel intermediate bayonet to the gallery panel and gallery panel filler using #10 X 11/16" Round Head Screws.

Continued on the next page >>



**Figure 1**

## Tools & Hardware Needed

		8393-0059 	8540-0545 
Drill	Phillips #2 Bit or Robertson #2 Bit	Bayonet	#10 X 11/16" Round Head Screw (6X)

# Gallery Panel, Double Span Step-down Mid, 1 Piece

4. Securely fasten the gallery panel top brackets into the pre-drilled holes of gallery panel filler using #8 X 3/4" Flat Head Screws, (Figure 2).
5. Position the standard panel and level the panels accordingly.
6. Drive two #8 X 1-1/4" Flat Head Screws through the holes in the gallery panel top bracket into the standard panel, (Figure 3).
7. Drive two #8 x 1-1/4" Flat Head Screws through the holes in the standard panel leg into the pre-drilled holes of the gallery panel, (Figure 4).

Continued on the next page >>

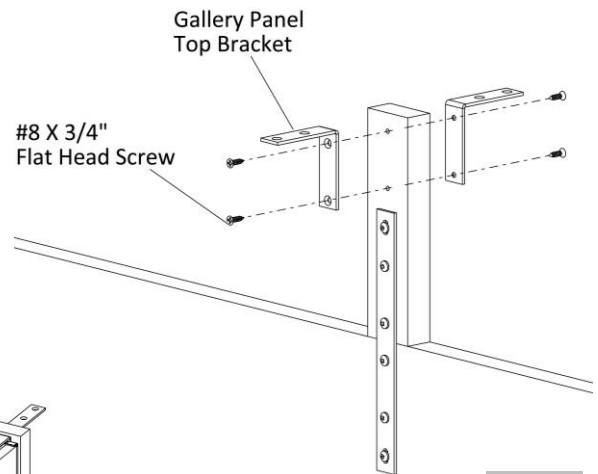


Figure 2

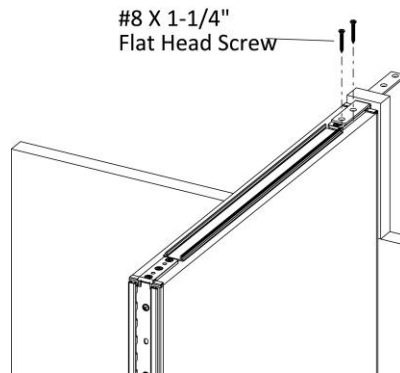


Figure 3

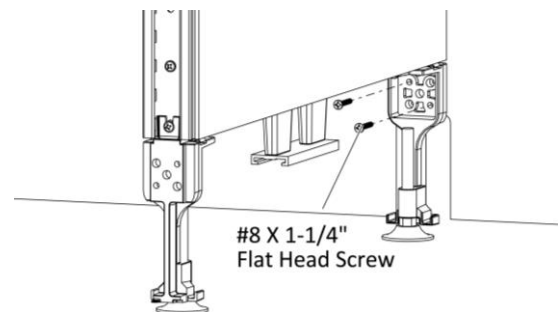
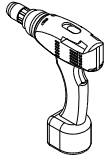
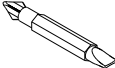
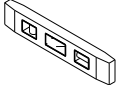
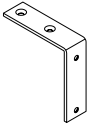




Figure 4

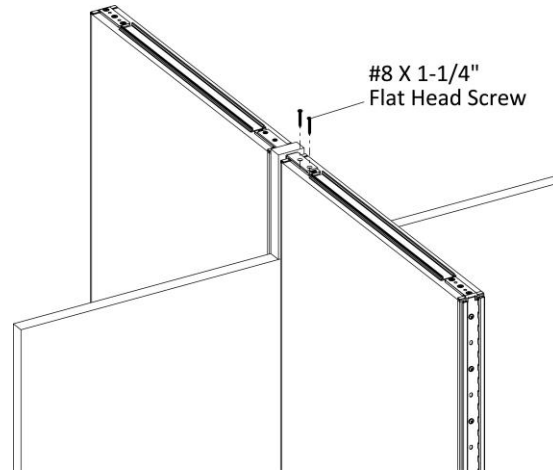
## Tools & Hardware Needed

			8393-0058 
Drill	Phillips #2 Bit or Robertson #2 Bit	Torpedo Level	Gallery Panel Top Bracket (2X)
8540-0532 	8540-1008 		
#8 X 3/4" Flat Head Screw (4X)	#8 X 1-1/4", Flat Head Screw (4X)		

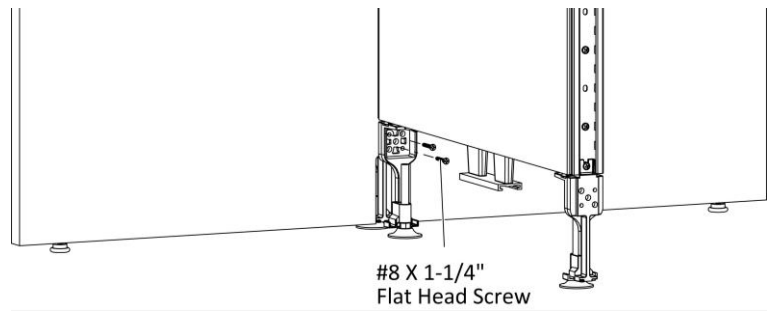


# Gallery Panel, Double Span Step-down Mid, 1 Piece

- 8. Position the other standard panel to create a 4-way connection and level the panels accordingly.
- 9. Follow **Steps 6 and 7** to install the other standard panel, (Figures 5 & 6).

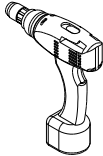
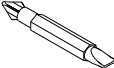
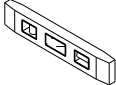



**Figure 5**



**Figure 6**

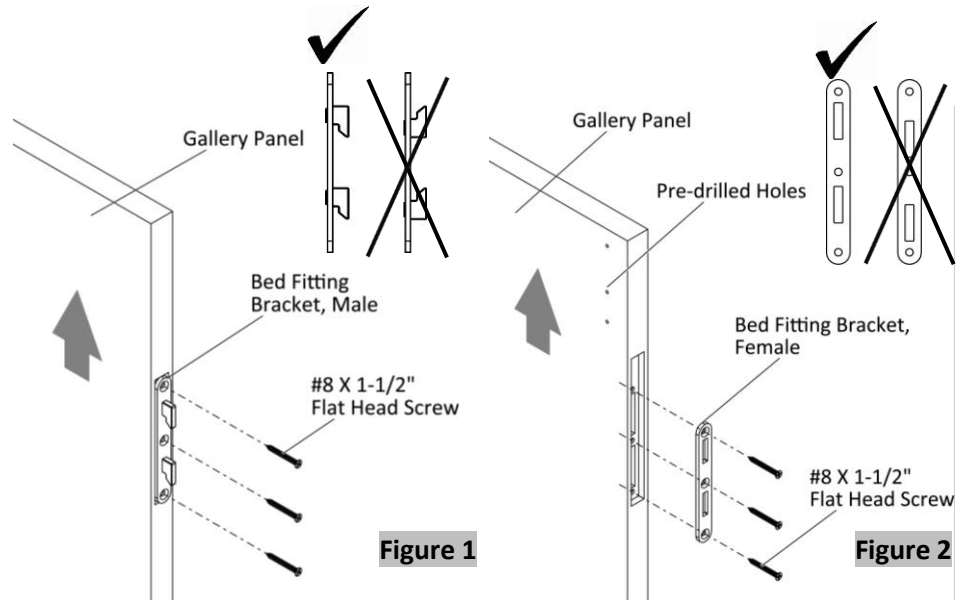
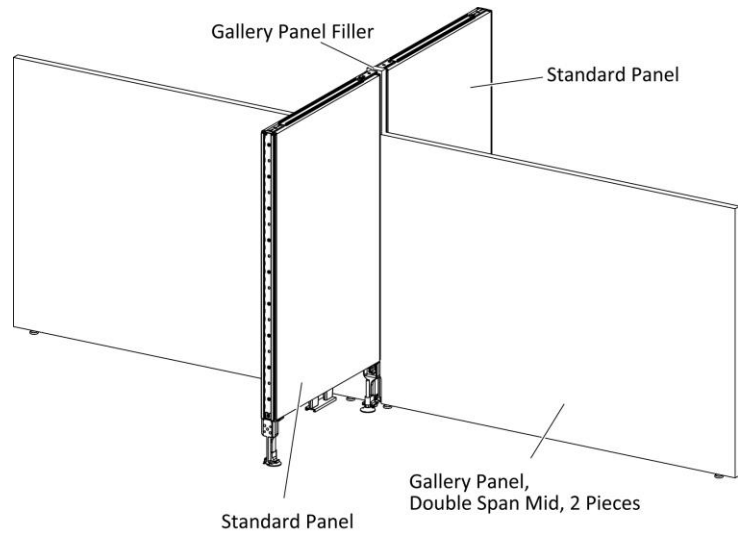
## Tools & Hardware Needed

			8540-1008 
Drill	Phillips #2 Bit or Robertson #2 Bit	Torpedo Level	#8 X 1-1/4", Flat Head Screw (4X)

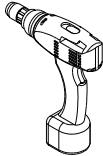
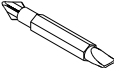



# Gallery Panel, Double Span Step-down Mid, 2 Pieces

1. Grab the gallery panel that has no pre-drilled holes.
2. Securely fasten the male bed fitting brackets with #8 X 1-1/2" Flat Head Screws into the gallery panel, (Figure 1).
3. Grab the other gallery panel that has pre-drilled holes.
4. Securely fasten the female bed fitting brackets with #8 X 1-1/2" Flat Head Screws into the gallery panel, (Figure 2).

Continued on the next page >>



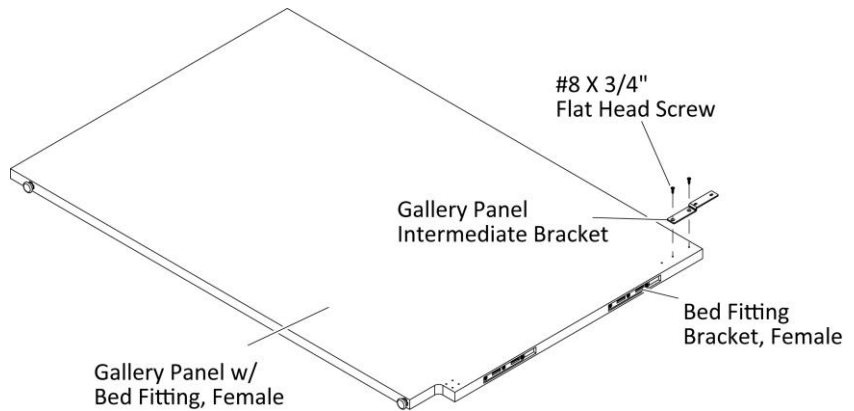
## Tools & Hardware Needed

		8540-0948-M 	8540-0948-F 
Drill	Phillips #2 Bit or Robertson #2 Bit	Bed Fitting Bracket, Male (2X)	Bed Fitting Bracket, Female (2X)
8540-0591 			
#8 X 1-1/2" Flat Head Screw (12X)			

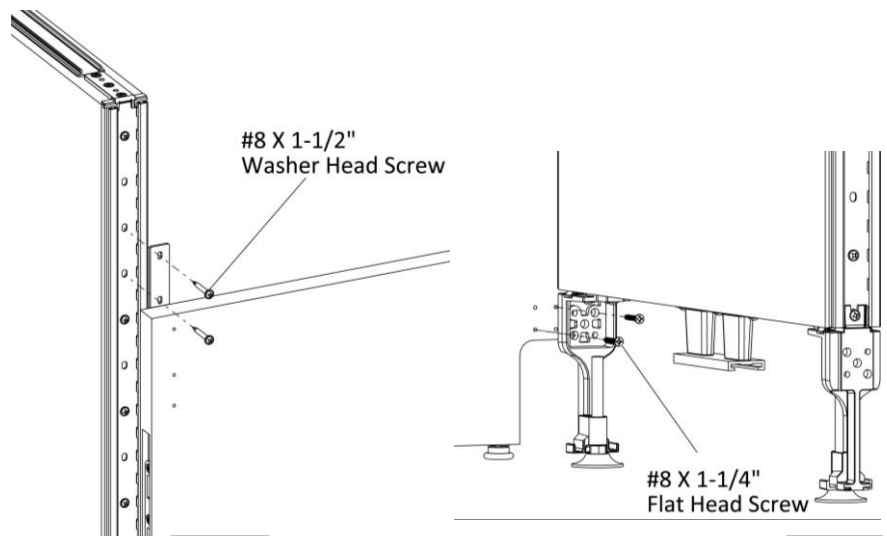
# Gallery Panel, Double Span Step-down Mid, 2 Pieces

5. Position and align holes in the gallery panel intermediate bracket to pre-drilled holes in the gallery panel with the female bed fitting bracket, (Figure 3).
6. Drive two #8 X 3/4" Flat Head Screws through the holes in the gallery panel intermediate bracket into the pre-drilled holes of the gallery panel with the female bed fitting bracket.
7. Position the gallery panel with female bed fitting and standard panel to create a 90-degree angle, (Figure 4).
8. Level the panels accordingly.
9. Drive two #8 X 1-1/2" Washer Head Screws through the holes in the gallery panel intermediate bracket into the standard panel.
10. Drive two #8 X 1-1/4" Flat Head Screws through the holes in the panel leg into the pre-drilled holes of the gallery panel, (Figure 5).

Continued on the next page >>



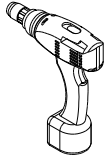
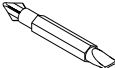
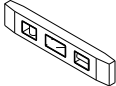




**Figure 3**



**Figure 4**

**Figure 5**

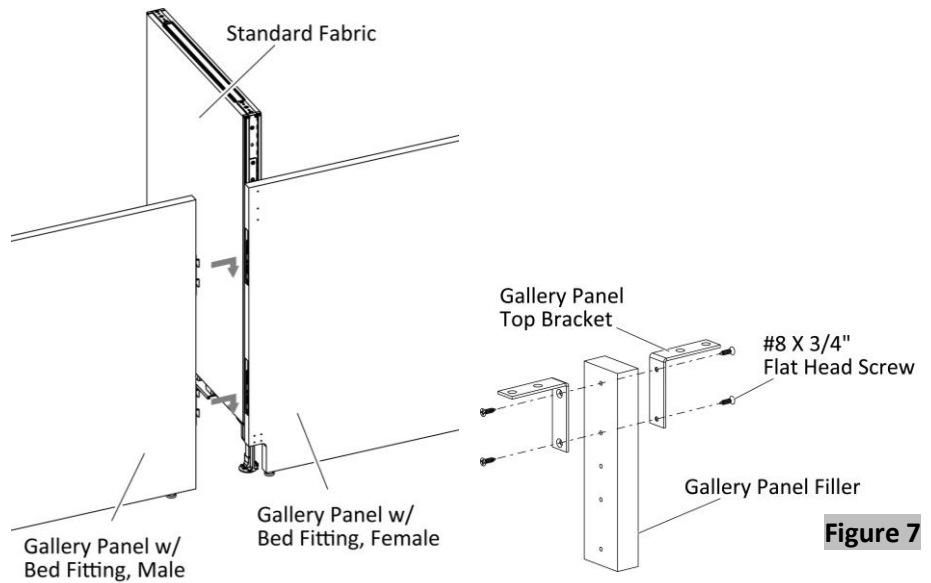
## Tools & Hardware Needed

			8393-0056 
Drill	Phillips #2 Bit or Robertson #2 Bit	Torpedo Level	Gallery Panel Intermediate Bracket
8540-0532 	8540-1185 	8540-1008 	
#8 X 3/4" Flat Head Screw (2X)	#8 X 1-1/2" Washer Head Screw (2X)	#8 X 1-1/4", Flat Head Screw (2X)	

# Gallery Panel, Double Span Step-down Mid, 2 Pieces

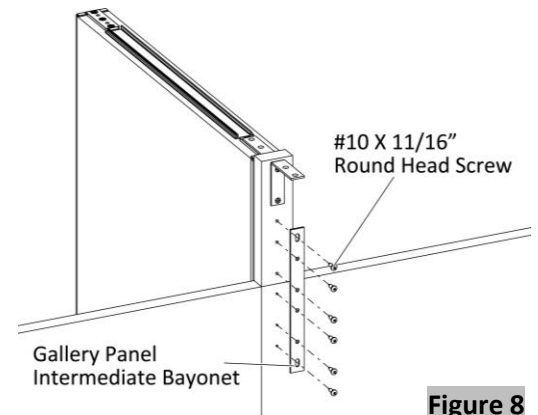
- 11.** Attach the gallery panel with male bed fitting brackets by inserting the hooks into the female bed fitting brackets and releasing the gallery panel down to engage the lock, (Figure 6).
- 12.** Level off the gallery panel (use the torpedo level).
- 13.** Securely fasten the gallery panel top brackets to the gallery panel filler using #8 X 3/4" Flat Head Screws, (Figure 7).
- 14.** Position the gallery panel filler over the gallery panel.
- 15.** Position and align the holes in the gallery panel intermediate bayonet to pre-drilled holes in the gallery panel filler and gallery panel, (Figure 8).
- 16.** Attach the gallery panel intermediate bayonet to the gallery panel filler and gallery panel using #10 X 11/16" Round Head Screws.

Continued on the next page >>



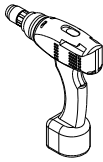
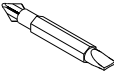
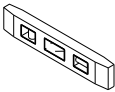
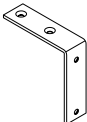



**Figure 6**

**Figure 7**



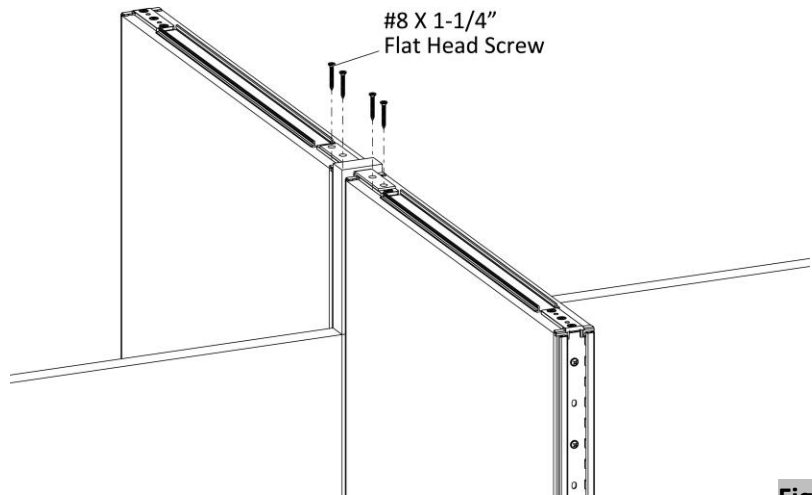
**Figure 8**

## Tools & Hardware Needed

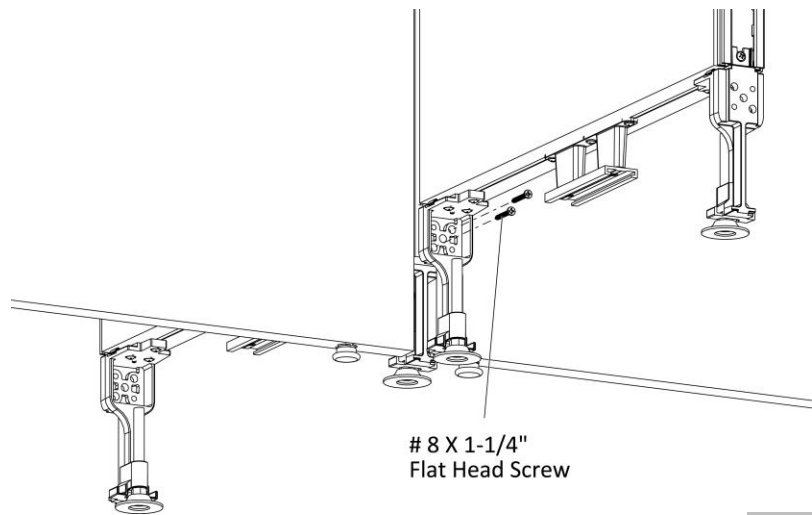
			8393-0058 
Drill	Phillips #2 Bit or Robertson #2 Bit	Torpedo Level	Gallery Panel Top Bracket (2X)
8540-0532 	8393-0059 	8540-0545 	
#8 X 3/4" Flat Head Screw (4X)	GP Intermediate Bayonet	#10 X 11/16" Round Head Screw (6X)	

# Gallery Panel, Double Span Step-down Mid, 2 Pieces

- 17.** Place the other panel in position to create a 4-way configuration and level it accordingly.
- 18.** Drive four #8 x 1-1/4" Flat Head Screws through the holes in the gallery panel top bracket into the panels, (Figure 9).
- 19.** Drive two #8 X 1-1/4" Flat Head Screws through the holes in the panel foot into the pre-drilled holes of the gallery panel, (Figure 10).

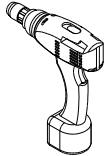
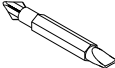
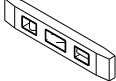



**Figure 9**



**Figure 10**

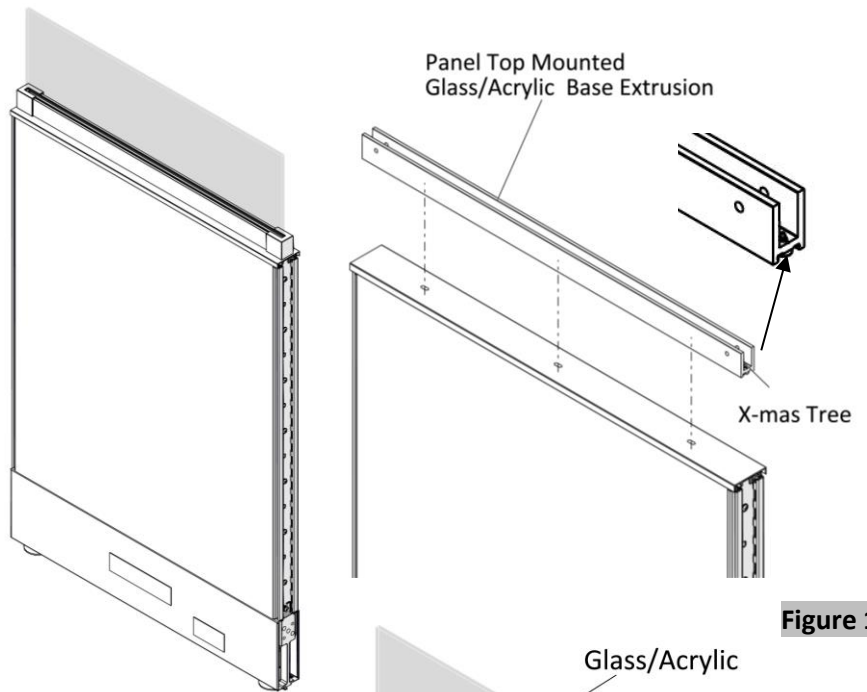
## Tools & Hardware Needed

			8540-1008 
Drill	Phillips #2 Bit or Robertson #2 Bit	Torpedo Level	#8 X 1-1/4", Flat Head Screw (6X)

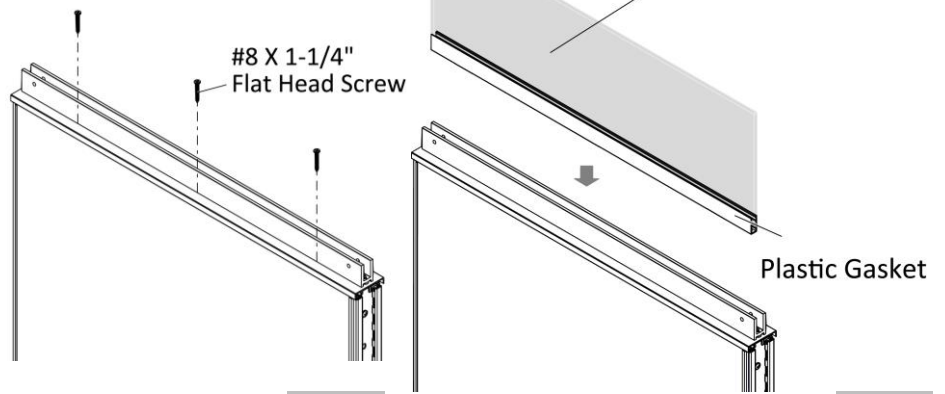
# Standard Panel Mounted Glass/Acrylic Screen

1. Check the panel top-mounted glass /acrylic base extrusion if there is a X-mas tree on both ends before placing it on top of the top trim, (Figure 1).
2. Align the holes of the base extrusion into the pre-drilled holes of the top trim.
3. Securely fasten the base extrusion into the pre-drilled holes of the top trim with #8 X 1-1/4", Flat Head Screws, (Figure 2).
4. Insert the glass/acrylic with a plastic gasket into the base extrusion, (Figure 3).

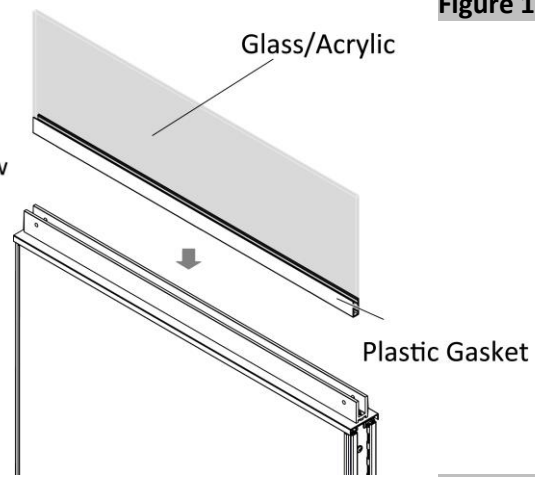
Continued on the next page >>



**Figure 1**


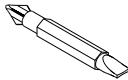



**Figure 2**



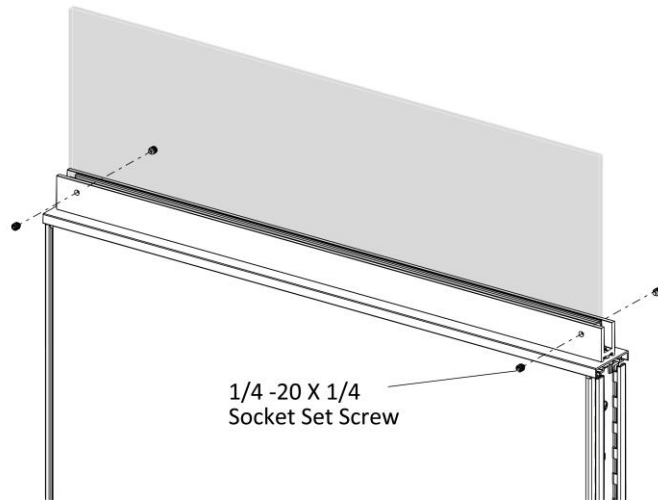
**Figure 3**

## Tools & Hardware Needed

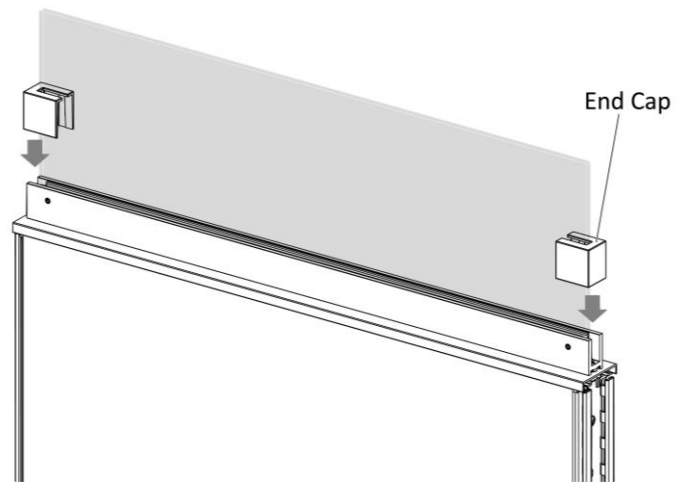
		8540-1200 		
Drill	Phillips #2 & #3 Bit or Robertson # 2	#8 X 1-3/4", Flat Head Screw (3X)		

# Standard Panel Mounted Glass/Acrylic Screen

5. Align and secure the glass/acrylic by inserting a 1/4-20 X 1/4" Socket Set Screw through each of the holes on the side of the base extrusion using an Allen Key driver, (Figure 4).
6. Tighten gently each side until the glass/acrylic is centered and secured.  
**Note: Do not overtighten. Check the base extrusion if it is straight. Overtightening set screws will bend the base extrusion outward and end caps will not fit.**
7. Insert the end cap on both ends of the base extrusion then push it down to secure it, (Figure 5).



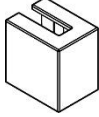


**Figure 4**



**Figure 5**

## Tools & Hardware Needed

	8540-1170 	8400-0144 		
Allen Key	1/4 -20 X 1/4 SS Screw (4X)	End Cap (2X)		

# Standard Panel Mounted Glass/Acrylic Screen – Double Span

1. Check the panel top mounted glass /acrylic Frameless Glazed Extrusion if there is a Nylon X-mas Tree Clip on both ends before placing it on top of the top trim, (Figure 1).
2. Align the holes of the Frameless Glazed Extrusion into the pre-drilled holes of the top trim.
3. Securely fasten the Frameless Glazed Extrusion into the pre-drilled holes of the top trim with #8 X 1-1/4", Flat Head Screws, (Figure 2).

Continued on the next page >>

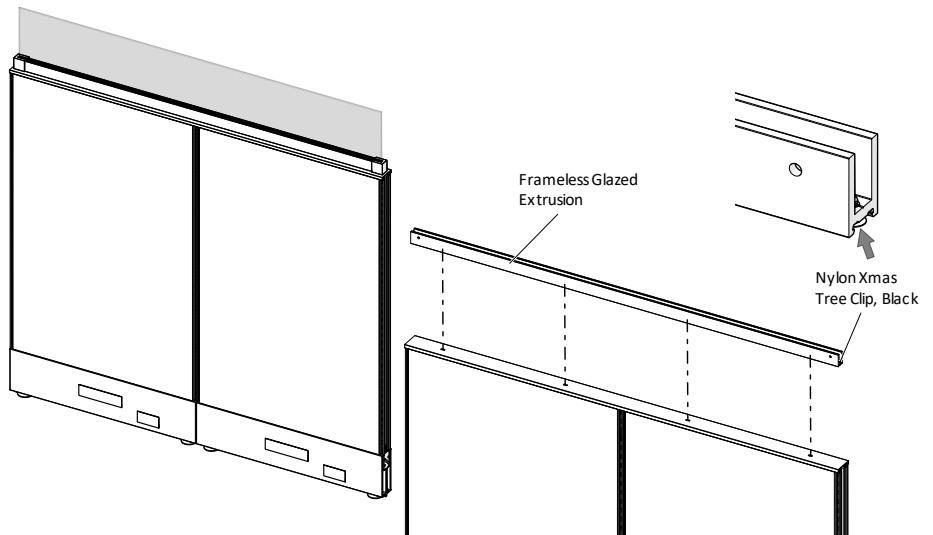


Figure 1

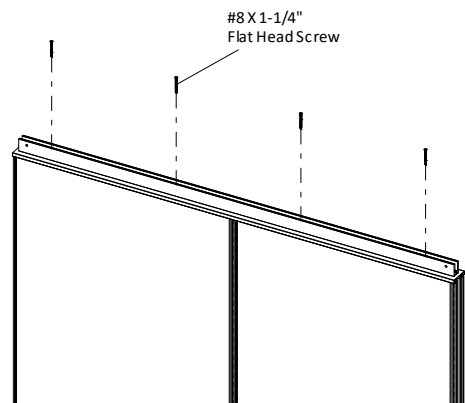

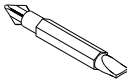



Figure 2

## Tools & Hardware Needed

		8540-1200 		
Drill	Phillips #2 & #3 Bit or Robertson # 2	#8 X 1-3/4", Flat Head Screw (4X)		



# Standard Panel Mounted Glass/Acrylic Screen – Double Span

4. Insert the glass/acrylic with Panel Top Screen Gasket into the Frameless Glazed Extrusion, (Figure 3).
  5. Align and secure the glass/acrylic by inserting a 1/4-20 X 1/4" Socket Set Screw through each of the holes on the side of the Frameless Glazed Extrusion using an Allen Key driver, (Figure 4).
  6. Tighten gently each side until the glass/acrylic is centered and secured.
- Note: Do not overtighten. Check the Frameless Glazed Extrusion if it is straight. Overtightening set screws will bend the Frameless Glazed Extrusion outward and end caps will not fit.**
7. Insert the End Cap on both ends of the Frameless Glazed Extrusion then push it down to secure it, (Figure 5).

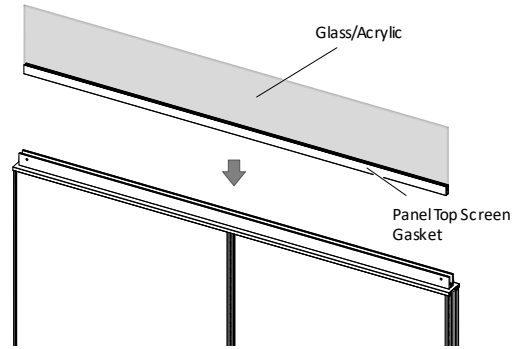


Figure 3

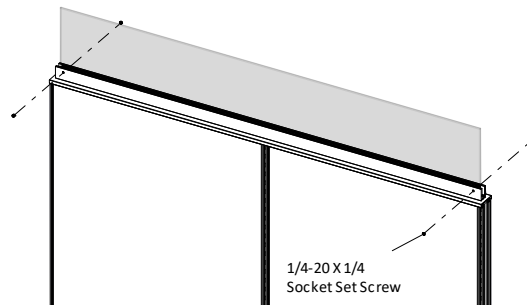


Figure 4

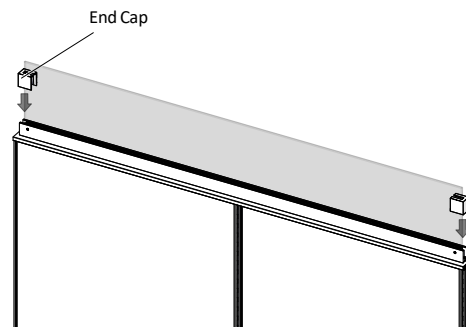


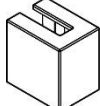


Figure 5

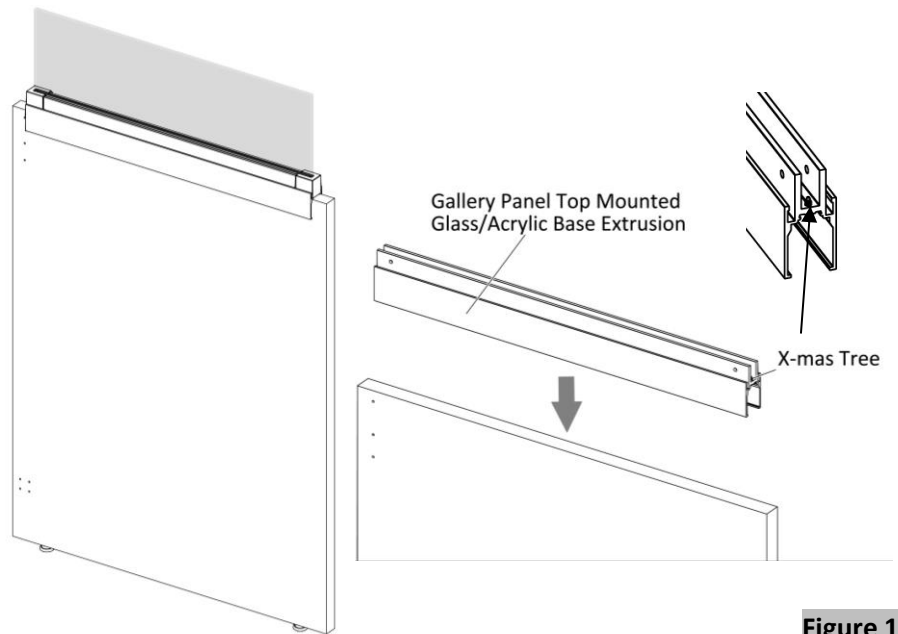
## Tools & Hardware Needed

	8540-1170 	8400-0144 		
Allen Key	1/4 -20 X 1/4 SS Screw (4X)	End Cap (2X)		

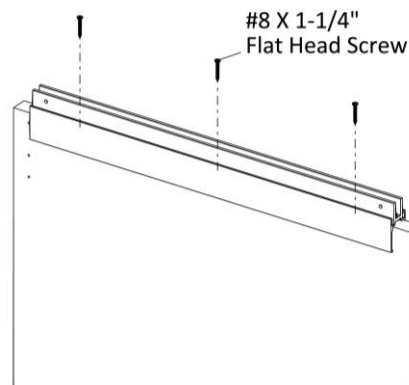
# Gallery Panel Mounted Glass/Acrylic Screen

1. Check the panel top-mounted glass /acrylic base extrusion if there is a X-mas tree on both ends before placing it on top of the top trim, (Figure 1).
2. Position the base extrusion at the desired location.
3. Securely fasten the base extrusion with #8 X 1-1/4" Flat Head Screws, (Figure 2)
4. Insert the glass/acrylic with a plastic gasket into the base extrusion, (Figure 3).

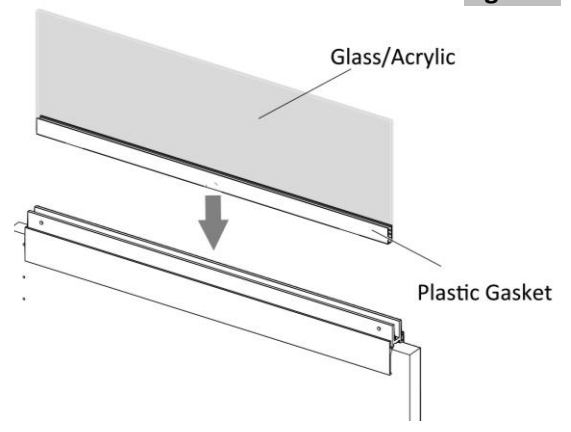
Continued on the next page >>



**Figure 1**

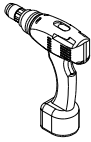
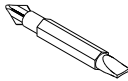



**Figure 2**



**Figure 3**

## Tools & Hardware Needed

		8540-1008 		
Drill	Phillips #2 & #3 Bit or Robertson # 2	#8 X 1-1/4", Flat Head Screw		

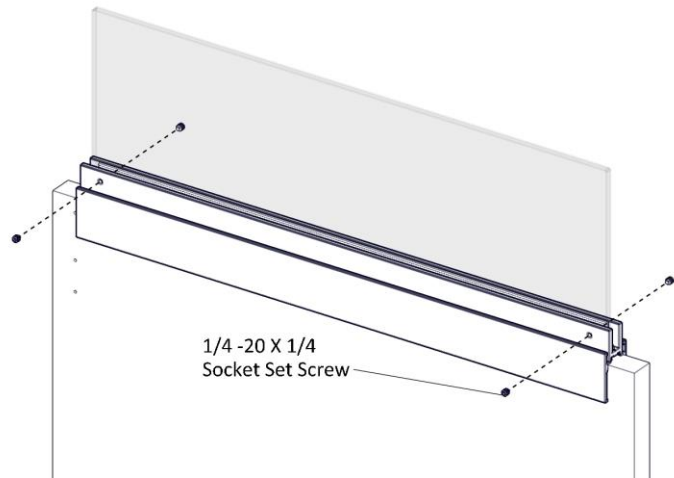
# Gallery Panel Mounted Glass/Acrylic Screen

**5.** Align and secure the glass/acrylic by inserting a 1/4-20 X 1/4" Socket Set Screw through each of the holes on the side of the base extrusion using an Allen Key driver, (Figure 4).

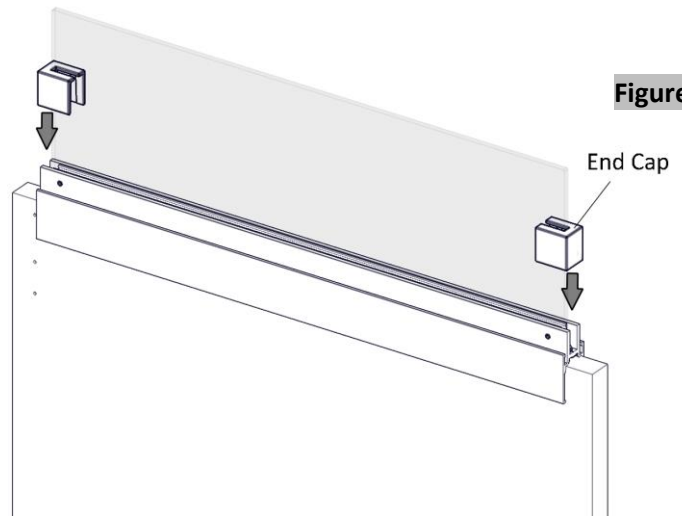
**6.** Tighten gently each side until the glass/acrylic is centered and secured.

**Note: Do not overtighten. Check the base extrusion if it is straight. Overtightening set screws will bend the base extrusion outward and end caps will not fit.**

**8.** Insert the end cap on both ends of the base extrusion then push it down to secure it, (Figure 5).




**Figure 4**



**Figure 5**

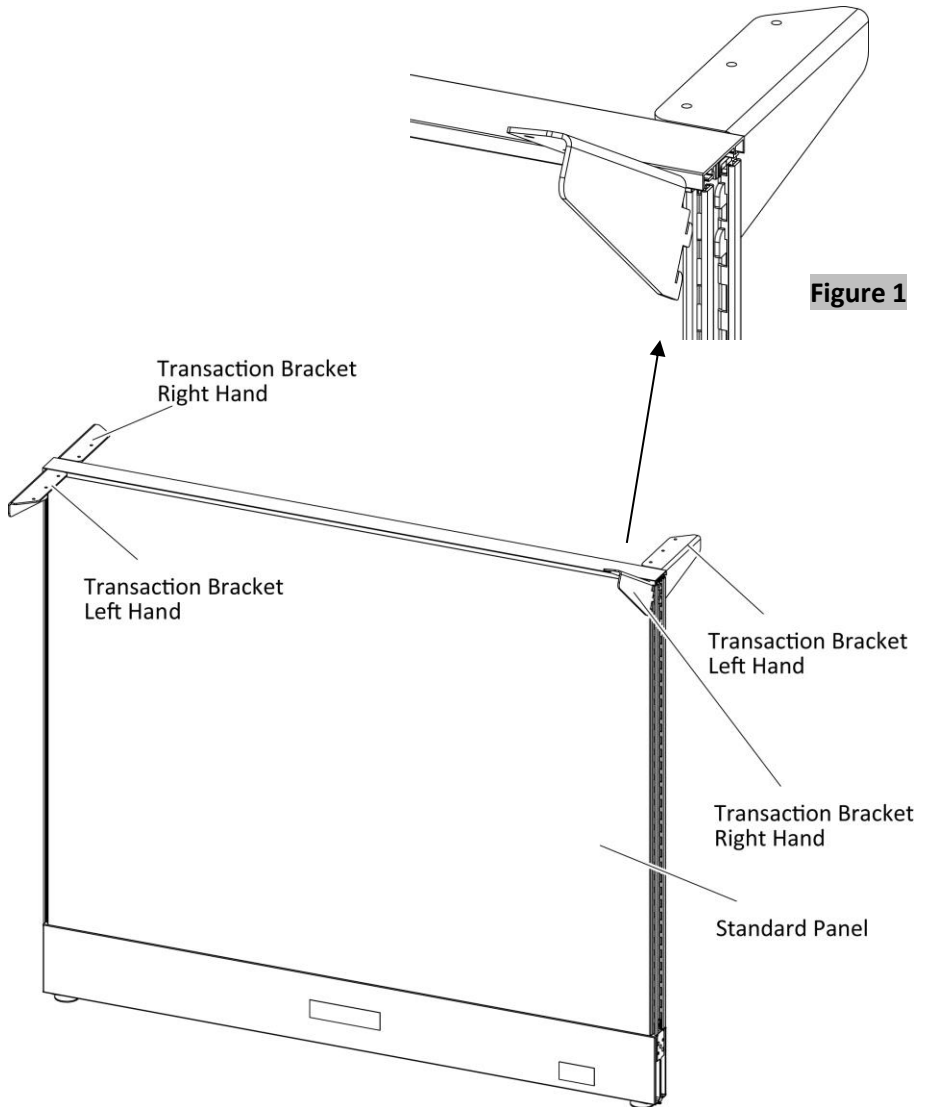
## Tools & Hardware Needed

	8540-1170	8400-0144		
Allen Key	1/4 -20 X 1/4 SS Screw (4X)	End Cap (2X)		

# Transaction Top Installation

1. Angle the transaction bracket at a 30-degree angle and insert the upper hooks to the topmost slot in the panel frame; push the bracket up, and release them down to engage the lock, (Figure 1).  
**Ensure the transaction bracket is secure in the required configuration: Left or Right.**
2. Follow **Step 1** above to install the other brackets.

Continued on the next page >>

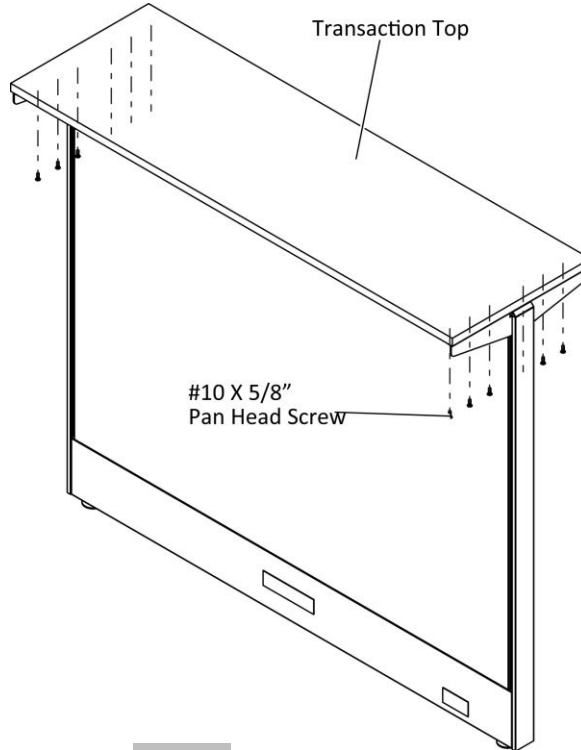


## Tools & Hardware Needed

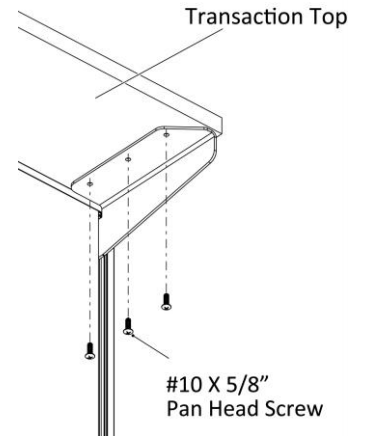
HTT-L-XXXX	HTT-R-XXXX		
Transaction Bracket, LH (2X)	Transaction Bracket, RH (2X)		

# Transaction Top Installation

3. Position the transaction top over the brackets and align the holes in brackets to the pilot holes provided in the underside of the transaction top, (Figure 2).
4. Securely fasten the transaction top with #10 X 5/8" Pan Head Screws, (Figure 3).

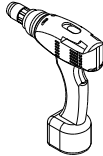
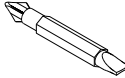



**Figure 2**



**Figure 3**

## Tools & Hardware Needed

		8540-0545 	
Drill	Phillips #2 Bit or Robertson #2	#10 X 11/16" Oval Head Screw (12X)	

# Cantilever Support for Standard Panel

There are two types of cantilever supports for the standard panel: one that joins two surfaces together (Intermediate Cantilever Support), and the other one is for end runs, and it can be left and right-sided.

1. Distribute all supports (Cantilevers, Legs, and Brackets) to their proper location.
2. Measure up 28 inches from the floor to the top edge of the cantilever support to locate the opening of the slot, (Figure 1).
3. Insert the cantilever support by angling it at 30 degrees; place the support hook into the slotted frame channel, release it down and the support will be engaged, (Figure 2).
4. Position worksurfaces over supports.  
**Note: Make sure worksurfaces are in a snug position.**
5. Drive #10 X 11/16", Oval Head Screws through the holes in cantilever support into the worksurface, (Figure 3).

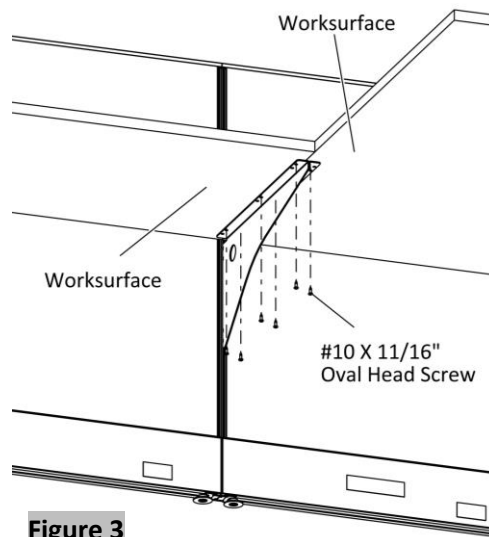
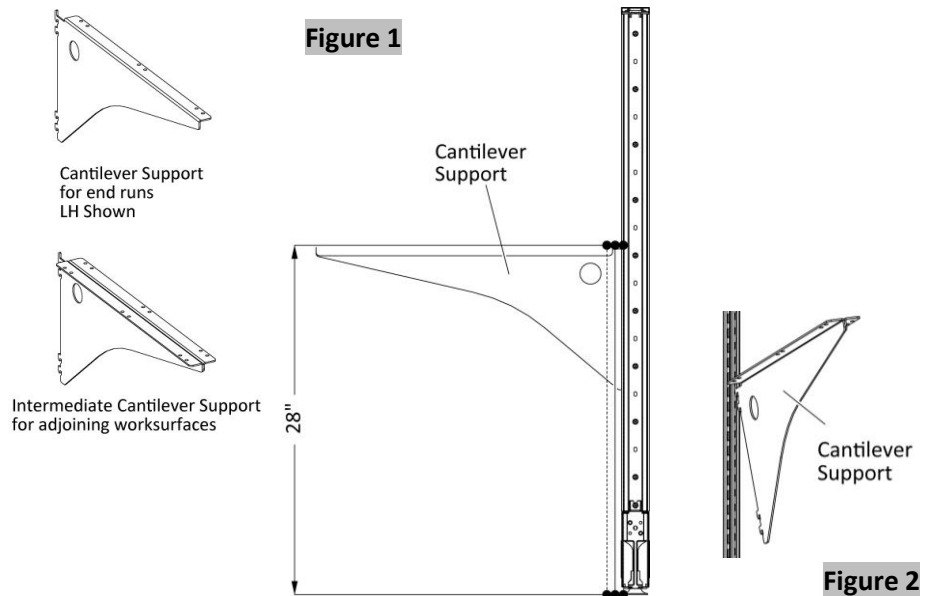
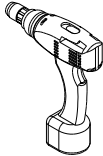




Figure 3

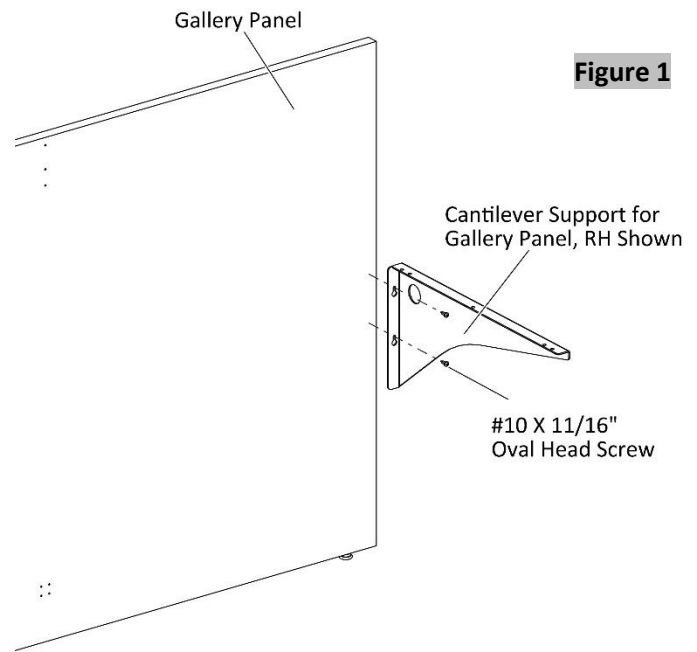
## Tools & Hardware Needed

		8540-0545 	
Drill	#2 Robertson bit	#10 X 11/16" Oval Head Screw (6X)	

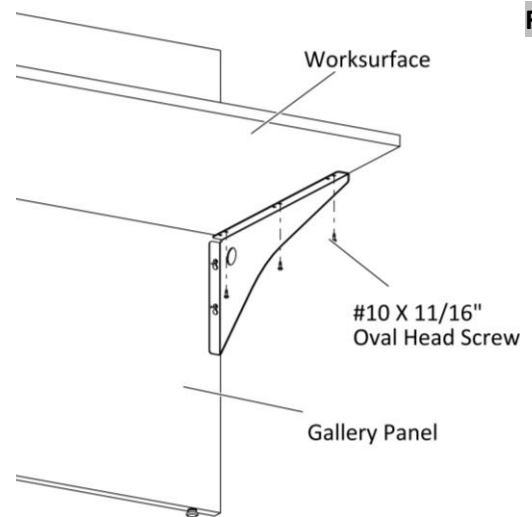
# Cantilever Support for Gallery Panel

Cantilever Support for Gallery Panel is for end runs (left and right-sided) and mid supports.

1. Distribute all supports (Cantilevers, Legs, and Brackets) to their proper location.
2. Determine the height of the worksurface and mark it with a pencil.
3. Align the top edge of the cantilever support to the marker and flush with the vertical edge of the gallery, (Figure 1).
4. Securely fasten the cantilever support into the gallery panel with two #10 X 11/16" Oval Head Screws.
5. Position worksurfaces over supports.  
**Note: Make sure worksurfaces are in a snug position.**
6. Drive #10 X 11/16", Oval Head Screws through the holes in cantilever support into the worksurface, (Figure 2).

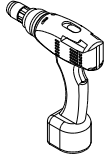




**Figure 1**



**Figure 2**

## Tools & Hardware Needed

		8540-0545 	
Drill	#2 Robertson bit	#10 X 11/16" OH Screw	

# Corner Bracket for Standard Panel

1. Distribute all supports (Cantilevers, Legs, and Brackets) to their proper location.
2. Measure up 28 inches from the floor to the top edge of the corner bracket to locate the opening of the slot, (Figure 1).
3. Insert the corner bracket support by angling it at 30 degrees; place the support hook into the slotted frame channel, release it down and the support will be engaged, (Figure 2).
4. Position worksurfaces over supports.  
**Note: Make sure worksurfaces are in a snug position.**
5. Drive two #10 X 11/16" Oval Head Screws through the holes in the corner bracket support into the worksurface, (Figure 3).

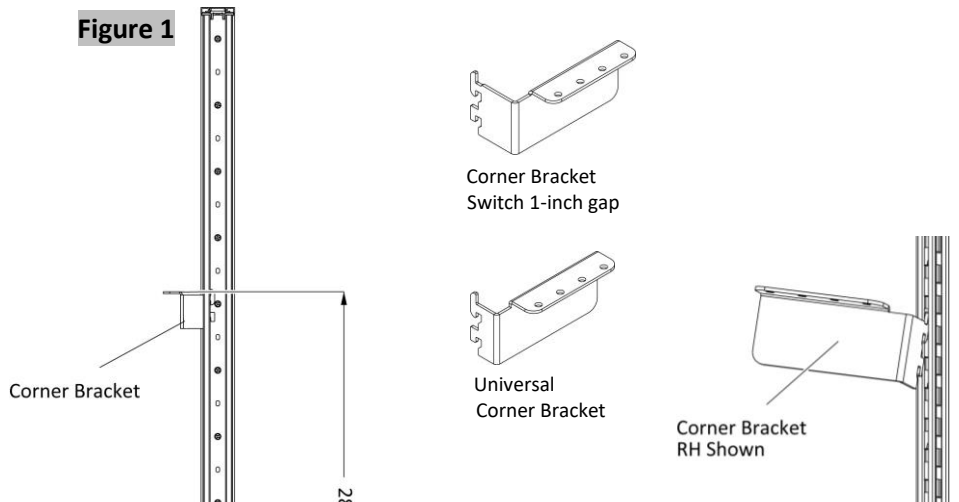


Figure 2

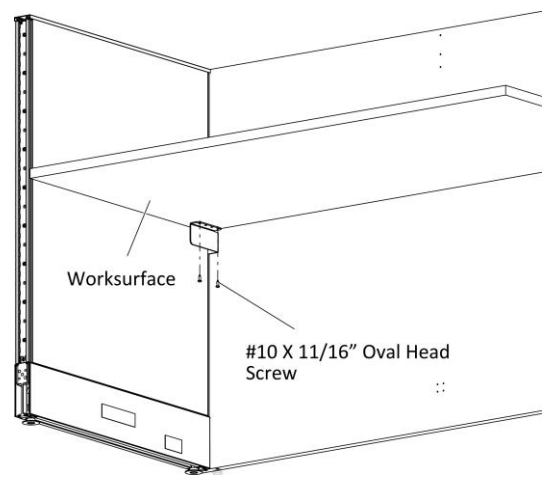
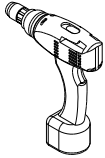




Figure 3

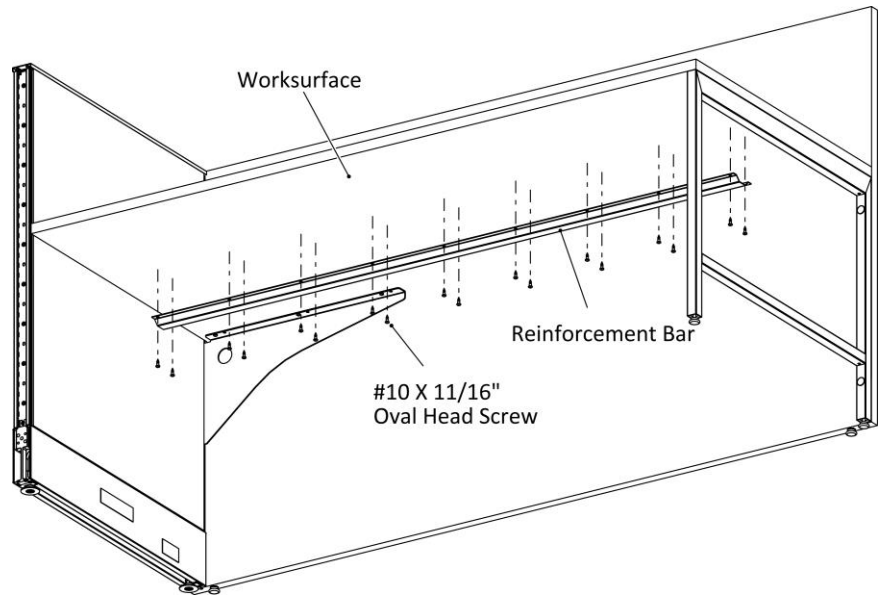
## Tools & Hardware Needed

		8540-0545 	
Drill	#2 Robertson bit	#10 X 11/16" OH Screw (2X)	



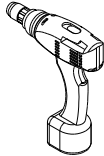


# Reinforcement Bar

1. Along the center of the worksurface, position the reinforcement bar underneath the worksurface.
2. Attach the reinforcement bar to the worksurface with #10 X 11/16" Oval Head Screws, (Figure 1).



**Figure 1**

## Tools & Hardware Needed

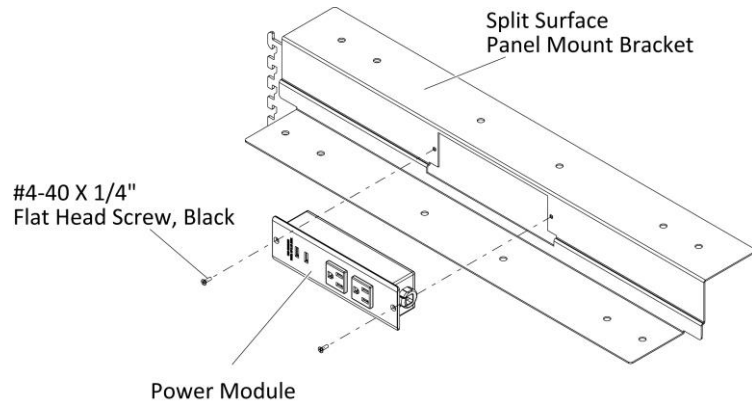
		8540-0545 	
Drill	#2 Robertson Long Bit	#10 X 11/16" OH Screw	

# Split Surface Support for Standard Panel

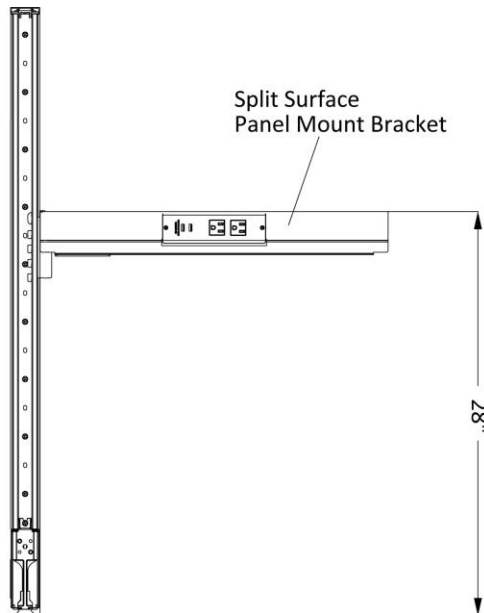
1. Position the power module in the split surface panel mount bracket, (Figure 1).
2. Securely fasten the power module with two #10-40 X1/4" Flat Head Screws.
3. Distribute all supports (Cantilevers, Legs, and Brackets) to their proper location.
4. Measure up 28 inches from the floor to the top edge of the split surface panel mount bracket to locate the opening of the slot, (Figure 2).
5. Insert the split surface panel mount bracket support by angling it at 30 degrees; place the support hook into the slotted frame channel, release it down and the support will be engaged, (Figure 3).

Continued on the next page >>

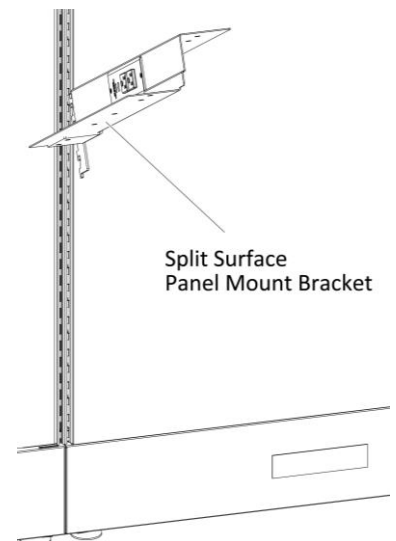
**Figure 1**



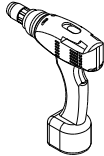
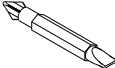
**Figure 2**



**Figure 3**



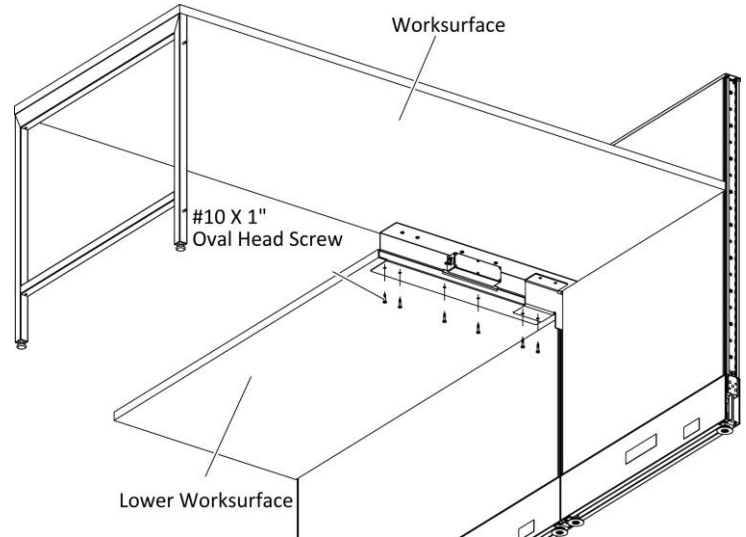
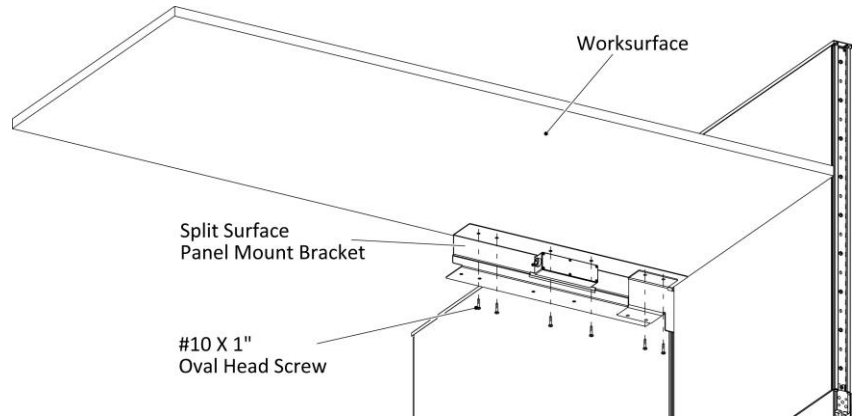
**Tools & Hardware Needed**

			
Drill	Phillips #2 Bit		

# Split Surface Support for Standard Panel

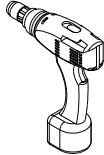


6. Position worksurface over supports, (Figure 4).  
**Note: Make sure worksurfaces are level and in a snug position.**
7. Align the top edge of the split surface panel mount bracket to the edge of the worksurface, (Figure 5).
8. Drive six #10 X 1" Oval Head Screws through the holes in Split Surface Panel Bracket into the worksurface.
9. Position the lower worksurface on the lower edge of the split surface panel mount bracket. **Make sure worksurfaces are level and in a snug position.**
10. Securely attach the lower worksurface to the split surface main bracket with six #10 X 1" Oval Head Screws.

**Figure 4**



**Figure 5**

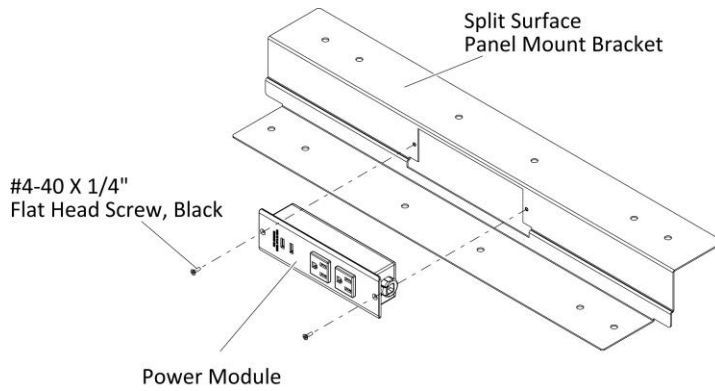
## Tools & Hardware Needed

		8540-0789 	
Drill	#2 Robertson Long Bit	#10 X 1" OH Screw (12X)	

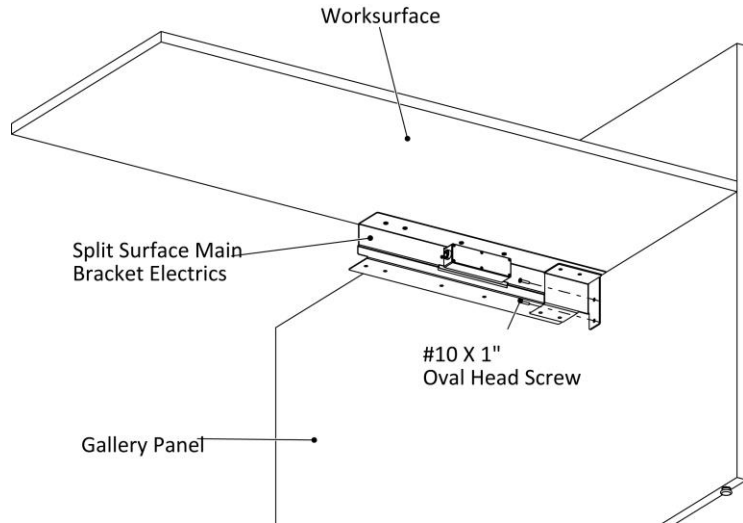
# Split Surface Support for Gallery Panel

1. Insert the power module into the opening of split surface main bracket electrics, (Figure 1).
2. Securely fasten the power module with two #4-40 X 1/4" Flat Head Screws.
3. Position the split surface panel mount bracket to the gallery panel and under a secure worksurface.
4. Align the top edge of the split surface panel mount bracket to the edge of the worksurface.
5. Drive two #10 X 1" Oval Head Screws through the holes in split surface main bracket electrics into the gallery panel, (Figure 2).

**Figure 1**

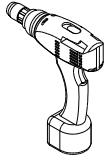




Continued on the next page >>



**Figure 2**

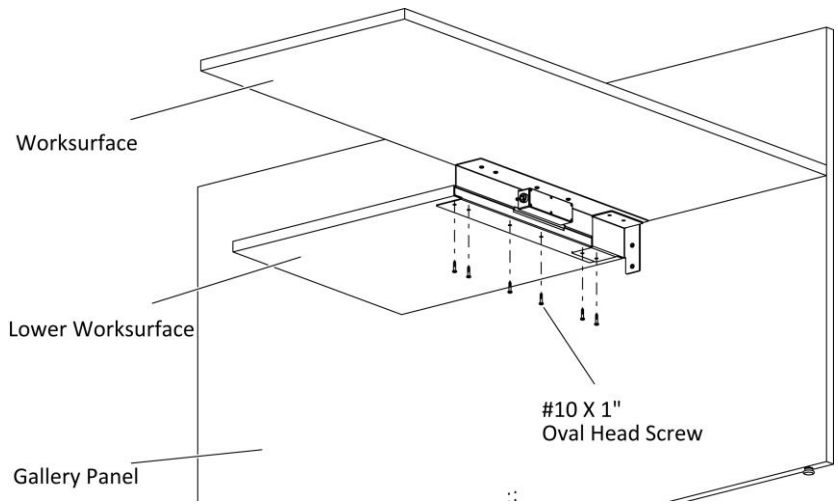
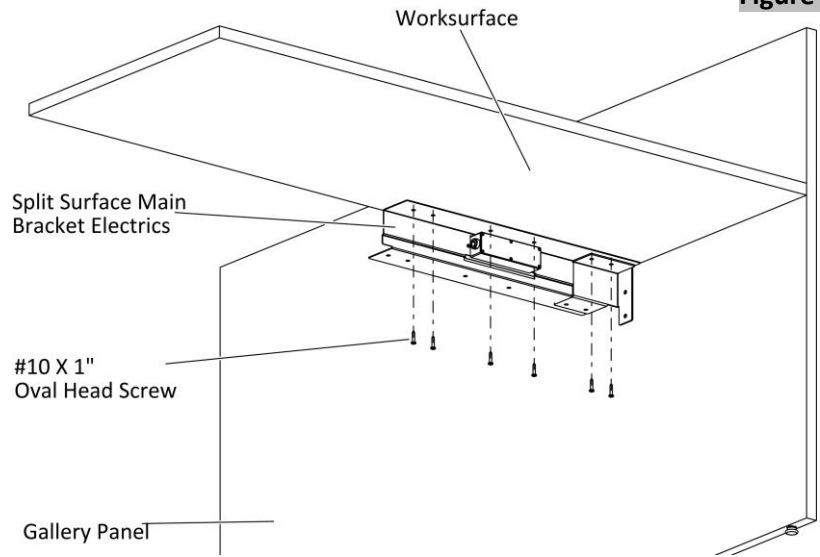
## Tools & Hardware Needed

		8540-1201 	
Drill	#2 Robertson Long Bit	#4-40 X 1/4" Flat Head Screw (2X)	

# Split Surface Support for Gallery Panel

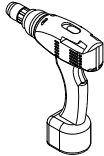


6. Drive six #10 X 1" Oval Head Screws through the holes in split surface main bracket electrics into the worksurface, (Figure 3).
7. Position the lower worksurface on the split surface main bracket.  
**Note: Make sure worksurfaces are level and in a snug position.**
8. Securely attach the lower worksurface to the split surface panel bracket with six #10 X 1" Oval Head Screws, (Figure 4).

**Figure 3**



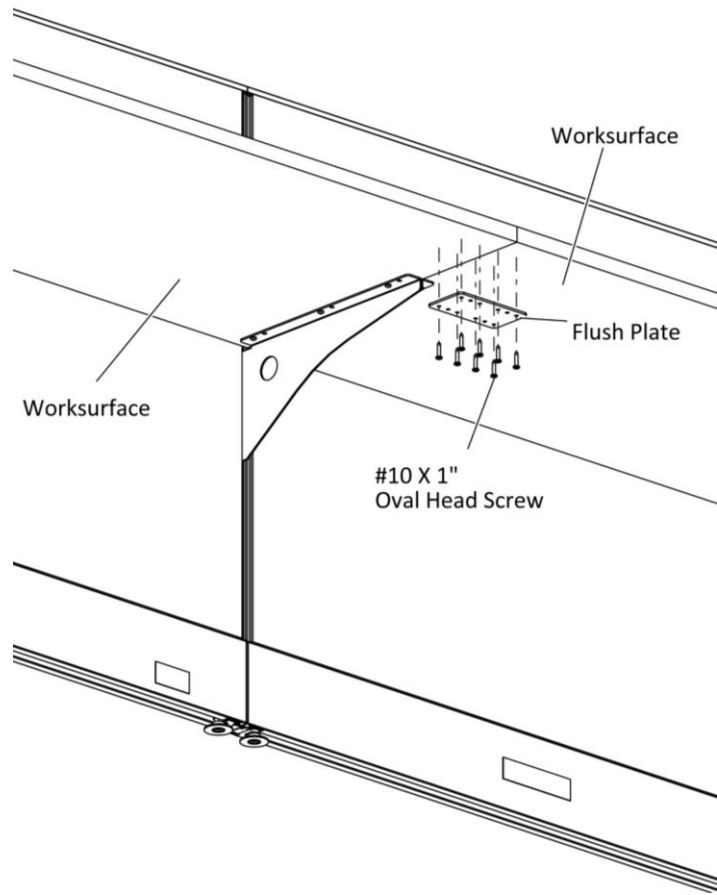
**Figure 4**

## Tools & Hardware Needed

		8540-0789 	
Drill	#2 Robertson bit	#10 X 1" OH Screw (12X)	

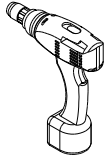



# Flush Plate

1. Center the flush plate underside of the worksurface where it will attach with another worksurface. **Note: Make sure worksurfaces are in a snug position.**
2. Attach the flush plate to the worksurface with #10 X 1" Oval Head Screws, (Figure 1).



**Figure 1**

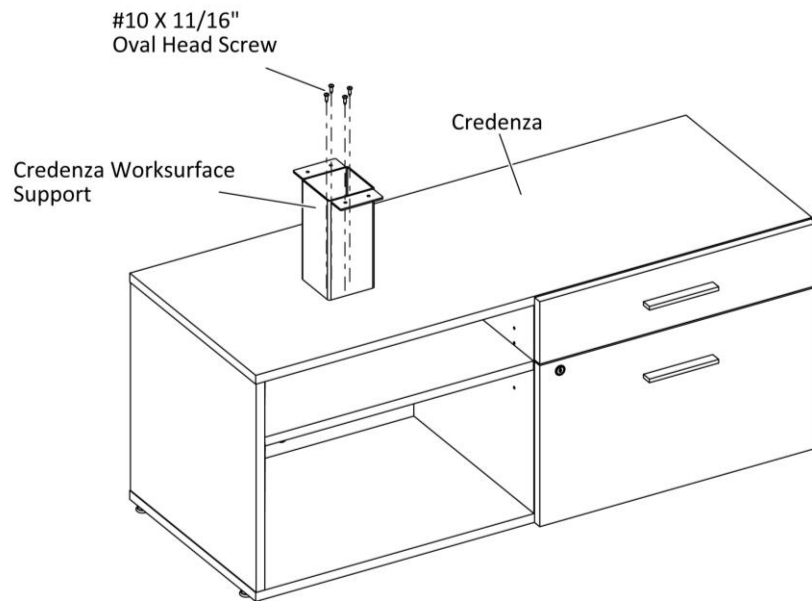
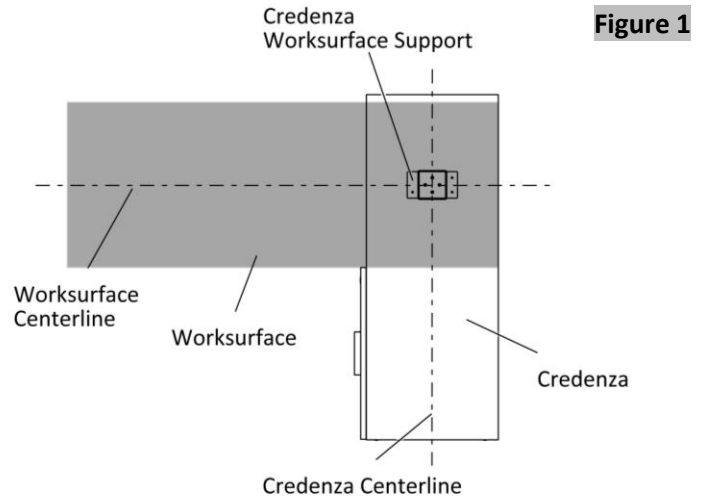
## Tools & Hardware Needed

		8391-0073 	8540-0789 
Drill	#2 Robertson bit	Flush Plate	#10 X 1" Oval Head Screw

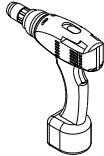



# Credenza Worksurface Support

1. Locate the position of the credenza worksurface support, (Figure 1).
2. Attach credenza worksurface support to credenza with four #10 X 11/16" Oval Head Screws, (Figure 2).

Continued on the next page >>



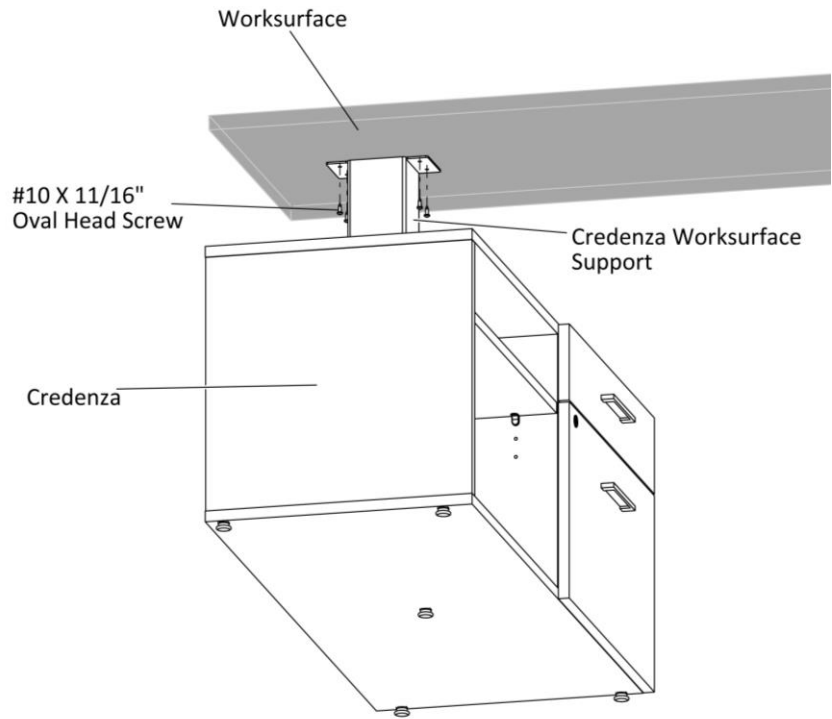
## Tools & Hardware Needed

			8540-0545 
Drill	#2 Robertson Long Bit	Credenza WS Support	#10 X 11/16" OH Screw (4X)

# Credenza Worksurface Support

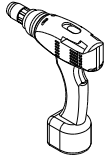
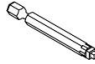


3. Position and attach the worksurface on the credenza worksurface support with four #10 X 11/16" Oval Head Screws, (Figure 3).

**Note: Make sure worksurfaces are in a snug position.**



**Figure 3**

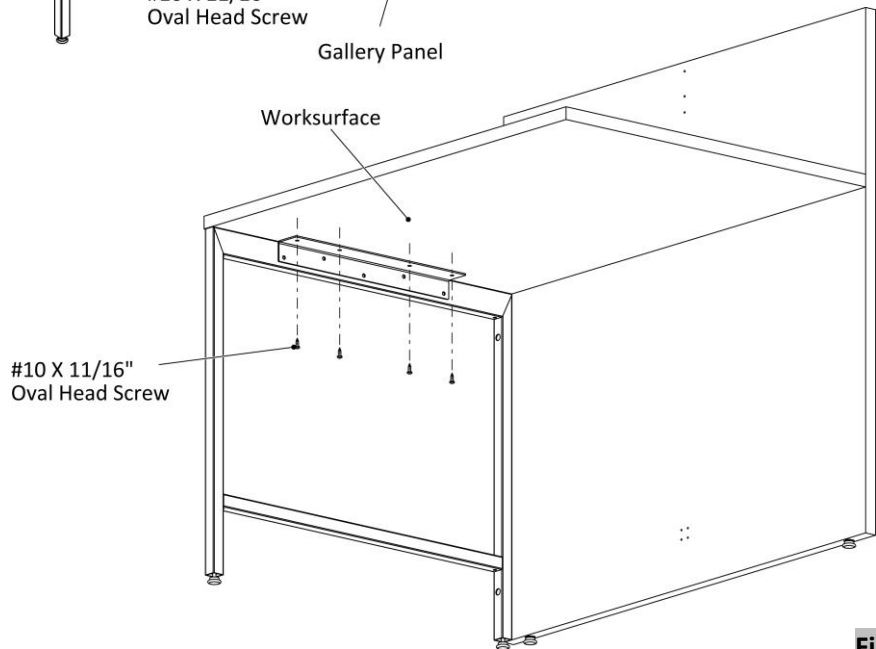
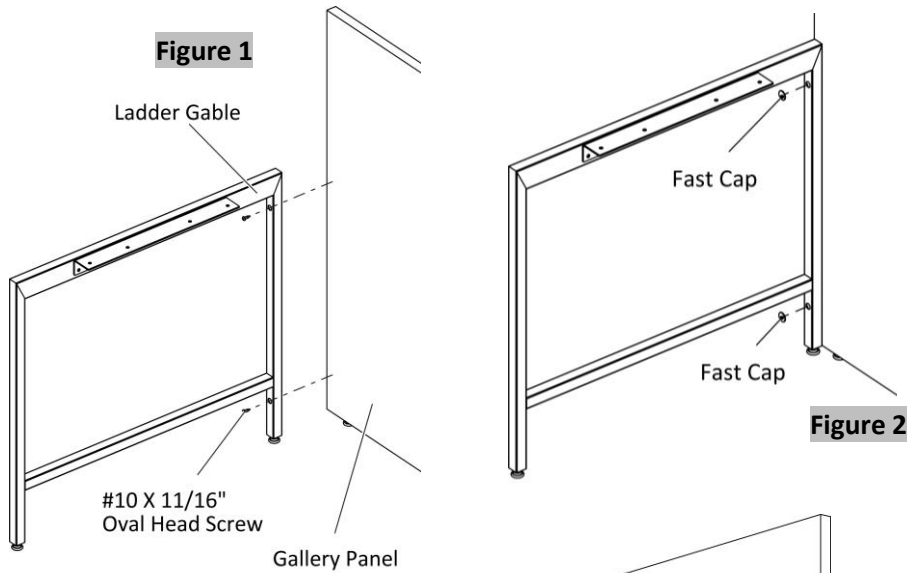
## Tools & Hardware Needed

			8540-0545 
Drill	#2 Robertson Bit	90° Angle Drill	#10 X 11/16" OH Screw (4X)

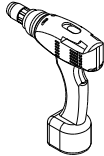

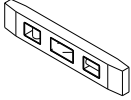





# Ladder Gable Leg to Gallery Panel

1. Level off the gallery panel (use torpedo level).
2. Position the ladder gable leg, flush with the vertical edge of the gallery panel, and level it accordingly. The bottom edge of the ladder gable leg should be in line with the bottom edge of the gallery panel, (Figure 1).
3. Drive two #10 X 11/16" Oval Head Screws through the holes in the ladder gable connector into the gallery panel.
4. Place the fast cap to cover the holes, (Figure 2).
5. Position the worksurface on the ladder gable leg.  
**Note: Make sure worksurfaces are level and in a snug position.**
6. Securely fasten the ladder gable leg to the worksurface with four #10 X 11/16" Oval Head Screws, (Figure 3).
7. Place the plastic cover screw caps.



**Figure 3**  
Tools & Hardware Needed

			8540-0545 
Drill	#2 Robertson bit	Torpedo Level	#10 X 11/16" OH Screw (4X)
			
Fast Cap (2X)	Screw Cap (4X)		

# Ladder Gable Leg to Standard Panel

1. Ensure the gable connector is secure in the required configuration: left or right
2. Position the gable connector, and flush with the vertical edge of the ladder gable leg. The upper hole of the gable connector should be in the center of the pre-drilled hole, (Figure 1).
3. Drive #10 X 5/8", Oval Head Robertson Screw through the upper hole in the gable connector into the pre-drilled hole.
4. Drive #10 X 5/8", Oval Head Robertson Screw through the other holes in the gable connector into the ladder gable leg.
5. Measure from the bottom of the raceway up to 27 inches to locate the opening of the slot for the top hook of the ladder gable leg.
6. Attach the ladder gable leg by angling it at 30 degrees; insert the top hook into the slot opening. Lower the ladder gable leg and place other hooks into the slotted frame channel, (Figure 2).
7. Push down the ladder gable leg and it will be engaged.
8. Level the ladder gable leg accordingly.
9. Adjust the AD lock bracket, release it down and the support will be fully engaged.
10. Securely tighten the screw of the AD lock bracket.
11. Securely fasten the ladder gable leg to the worksurface with four #10 X 11/16", Oval Head Screws, (Figure 3).
12. Place the plastic screw caps.

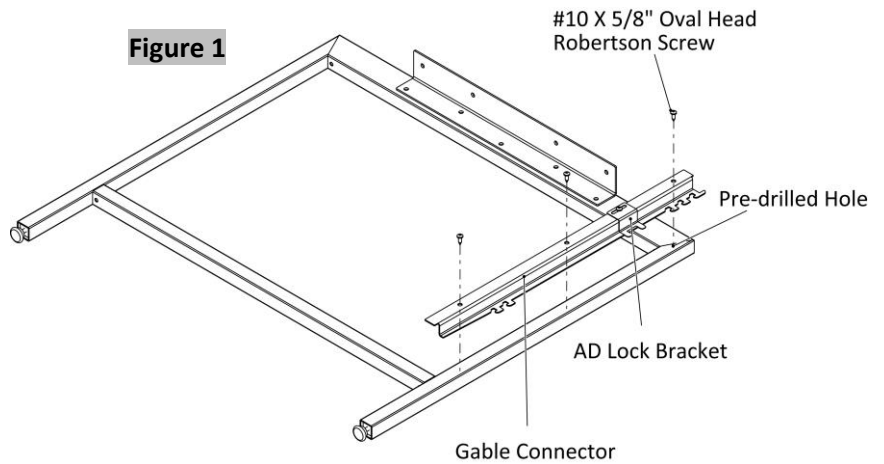


Figure 1

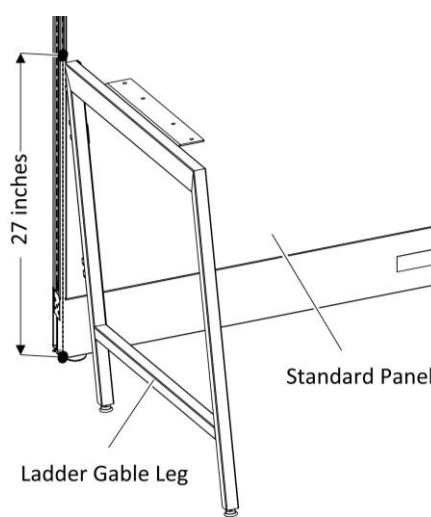


Figure 2

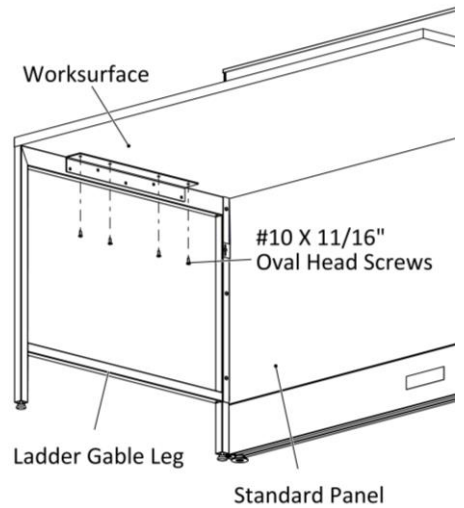
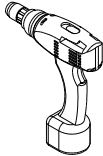

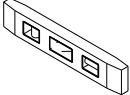





Figure 3

## Tools & Hardware Needed

			8540-0550 
Drill	#2 Robertson bit	Torpedo Level	#10 X 5/8" Oval Head Screw (3X)
8540-0545 			
#10 X 11/16" OH Screw (4X)	Screw Cap (4X)		

# Laminate Gable Leg to Gallery Panel

1. Ensure the gable connector is secure in the required configuration: left or right
2. Position the gallery panel connector, flush with the vertical edge of the laminate gable leg. The upper hole of the gallery panel connector should be in the center of the pre-drilled hole, (Figure 1).
3. Drive #10 X 11/16" Oval Head Screw through the upper hole in the gallery panel connector into the pre-drilled hole.
4. Drive #10 X 11/16" Oval Head screws through the other holes in the gable connector into the laminate gable leg.
5. Level off the gallery panel (use torpedo level).
6. Position the laminate gable leg, flush with the vertical edge of the gallery panel, and level it accordingly. The bottom edge of the laminate gable leg or gallery panel connector should be in line with the bottom edge of the gallery panel, (Figure 2).
7. Drive three #10 X 11/16", Oval Head Screws through the holes in the gallery panel connector into the gallery panel.
8. Position worksurface on laminate gable leg.  
**Note: Make sure worksurfaces are level and in a snug position.**
9. Securely fasten the laminate gable leg to the worksurface with four #10 X 11/16", Oval Head Screws, (Figure 3).
10. Place the plastic cover screw caps.

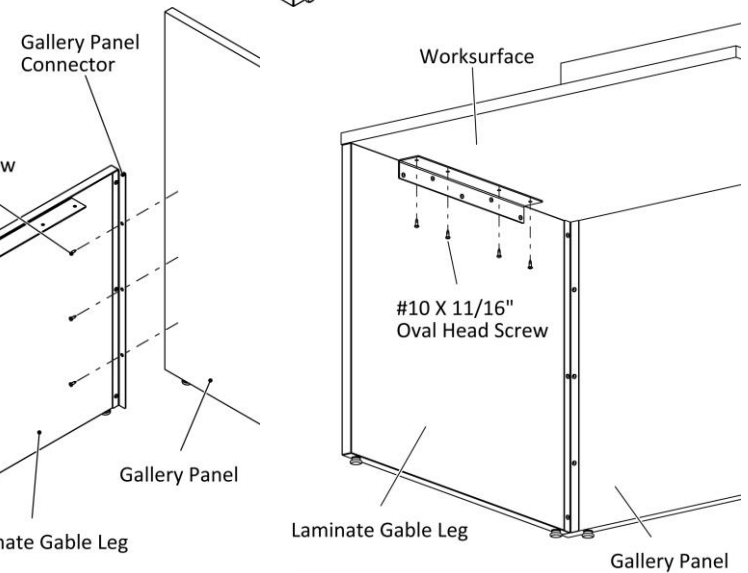
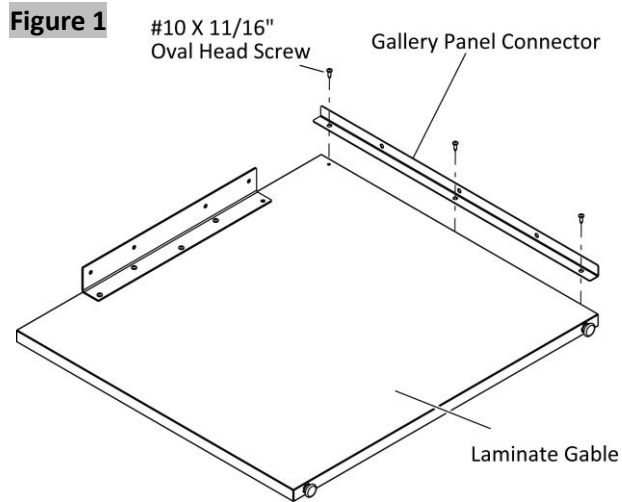
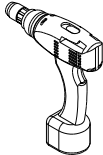

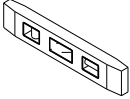




Figure 2

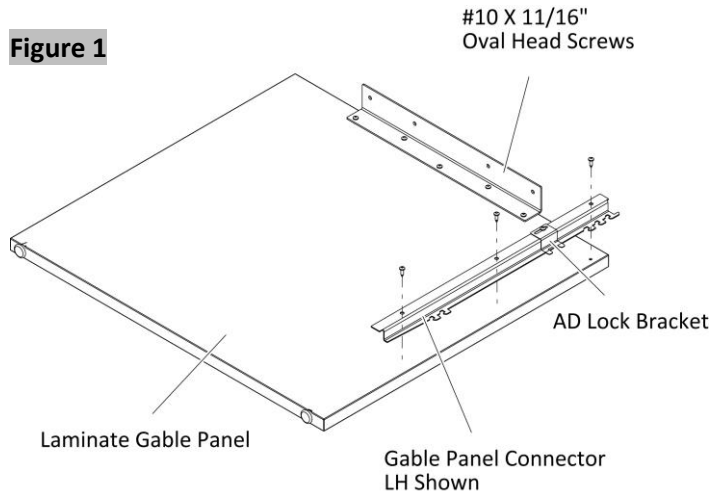
Figure 3

## Tools & Hardware Needed

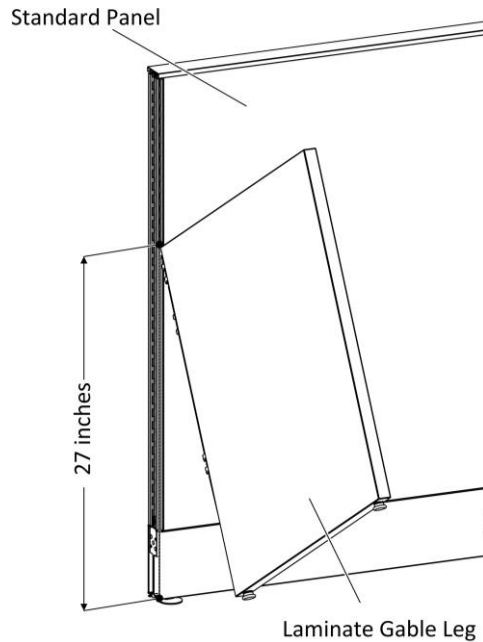
			8540-0545 
Drill	#2 Robertson bit	Torpedo Level	#10 X 11/16" OH Screw (7X)
			
Screw Cap (3X)			

# Laminate Gable Leg to Standard Panel

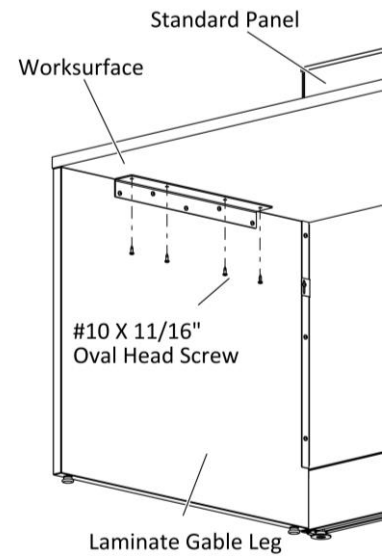
1. Ensure the gable mounting bracket is secure in the required configuration: left or right
2. Position the gable panel connector, and flush with the vertical edge of the laminate gable panel. The upper hole of the gable panel connector should be in the center of the pre-drilled hole, (Figure 1).
3. Drive #10 X 11/16" Oval Head Robertson Screw through the upper hole of in gable connector into the pre-drilled hole.
4. Drive #10 X 11/16" Oval Head Robertson Screws through the other holes in the gable panel connector into the laminate gable panel.
5. Measure from the bottom of the raceway up to 27 inches to locate the opening of the slot for the top hook of the laminate gable leg.
6. Attach the laminate gable leg by angling it at 30 degrees; insert the top hook into the slot opening. Lower the laminate gable leg and place other hooks into the slotted frame channel, (Figure 2).
7. Push down the laminate gable leg and it will be engaged.
8. Level the laminate gable leg accordingly.
9. Adjust the AD lock bracket, release it down and the support will be fully engaged.
10. Securely tighten the screw of the AD lock bracket.
11. Securely fasten laminate gable leg to worksurface with four #10 X 11/16", Oval Head Screws, (Figure 3).
12. Place the plastic screw caps.



**Figure 1**

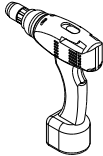




**Figure 2**



**Figure 3**

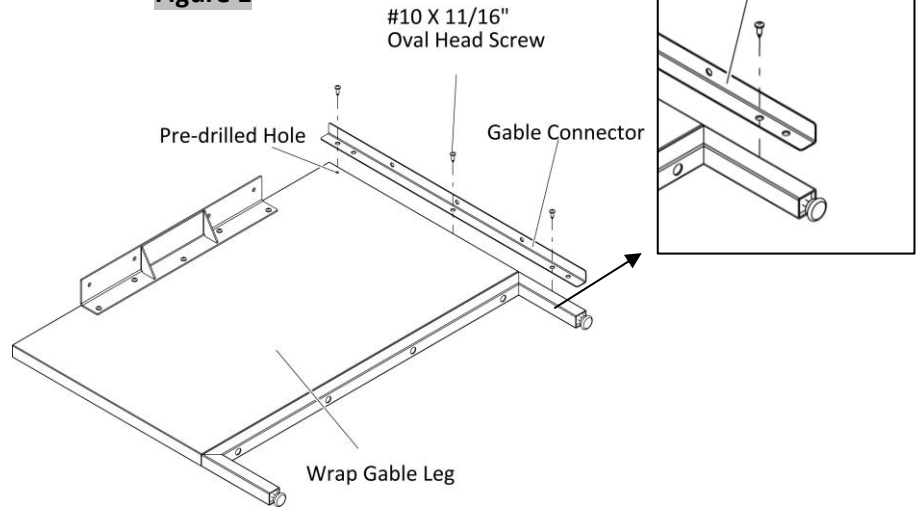
## Tools & Hardware Needed

		8540-0545 	
Drill	#2 Robertson bit	#10 X 11/16" OH Screw (7X)	

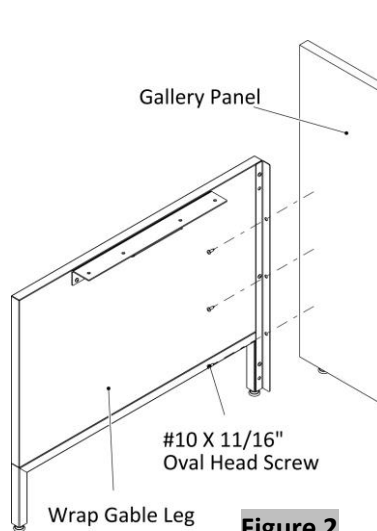
# Wrap Gable Leg to Gallery Panel

1. Ensure the gable connector is secure in the required configuration: left or right
2. Position the gable connector, and flush with the vertical edge of the wrap gable leg. The upper hole of the gable connector should be in the center of the pre-drilled hole, (Figure 1).
3. Drive #10 X 11/16" Oval Head Screw through the hole in the gable connector into the pre-drilled hole.
4. Drive #10 X 11/16" Oval Head screws through the other holes in the gable connector into the wrap gable leg.
5. Level off the gallery panel (use torpedo level).
6. Position the wrap gable leg, flush with the vertical edge of the gallery panel, and level it accordingly. The bottom edge of the wrap gable leg or gable connector should be in line with the bottom edge of the gallery panel.
7. Drive three #10 X 11/16", Oval Head Screws through the holes in the gable connector into the gallery panel, (Figure 2).
8. Position the worksurface on the wrap gable leg.  
**Note: Make sure worksurfaces are level and in a snug position.**
9. Securely fasten the wrap gable leg to the worksurface with four #10 X 11/16", Oval Head Screws, (Figure 3).
10. Place the plastic cover screw caps.

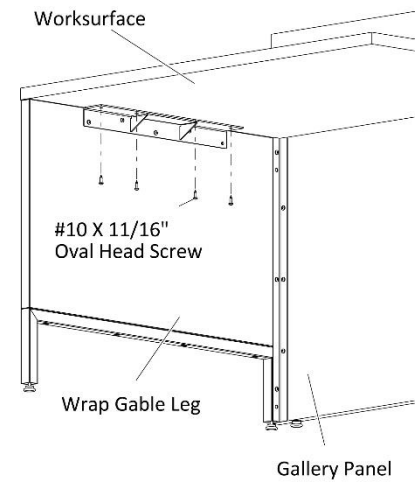
**Figure 1**



**Figure 2**

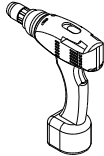

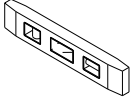




**Figure 3**



**Figure 3**

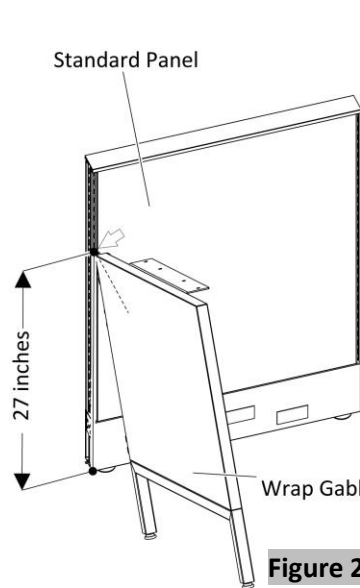
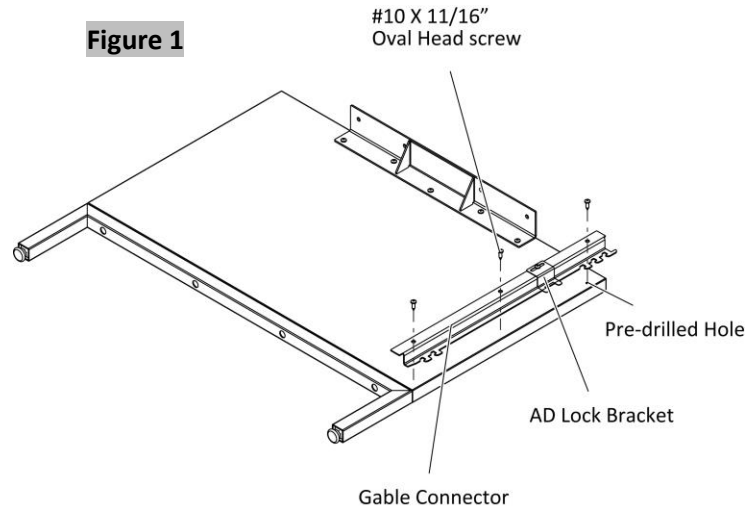
## Tools & Hardware Needed

			8540-0545 
Drill	#2 Robertson bit	Torpedo Level	#10 X 11/16" OH Screw (7X)
			
Screw Cap (4X)			

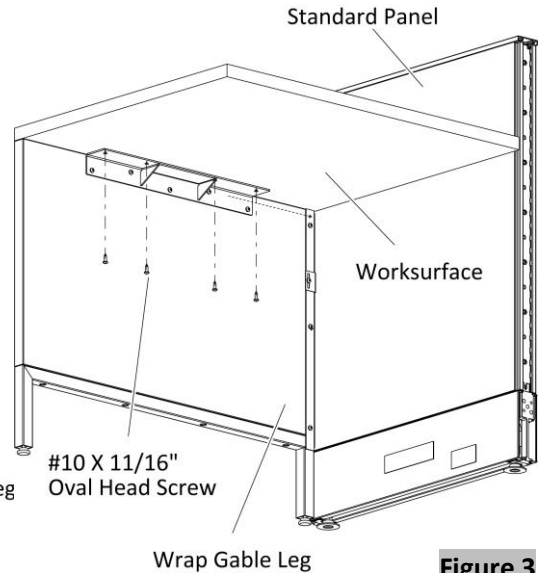
# Wrap Gable Leg to Standard Panel

1. Ensure the gable connector is secure in the required configuration: left or right
2. Position the gable connector, and flush with the vertical edge of the wrap gable leg. The upper hole of the end gable connector should be in the center of the pre-drilled hole, (Figure 1).
3. Drive #10 X 11/16" Oval Head Screw through the upper hole in the gable connector into the pre-drilled hole.
4. Drive #10 X 11/16" Oval Head screws through the other holes in the gable connector into the wrap gable leg.
5. Level off the standard panel (use torpedo level).
6. Measure from the bottom of the raceway up to 27 inches to locate the opening of the slot for the top hook of the wrap gable leg.
7. Attach the wrap gable leg by angling it at 30 degrees; insert the top hook into the slot opening. Lower the wrap gable leg and place other hooks into the slotted frame channel, (Figure 2).
8. Push down the wrap gable leg and it will be engaged.
9. Level the wrap gable leg accordingly.
10. Adjust the AD lock bracket, release it down and the support will be fully engaged.
11. Securely tighten the screw of the AD lock bracket.
12. Securely fasten the wrap gable leg to the worksurface with four #10 X 11/16" Oval Head Screws, (Figure 3).
13. Place the plastic screw caps.

**Figure 1**

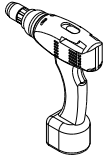





**Figure 2**



**Figure 3**

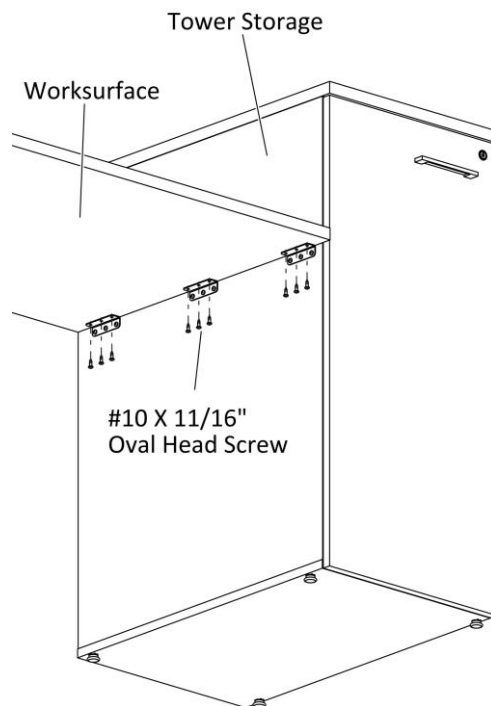
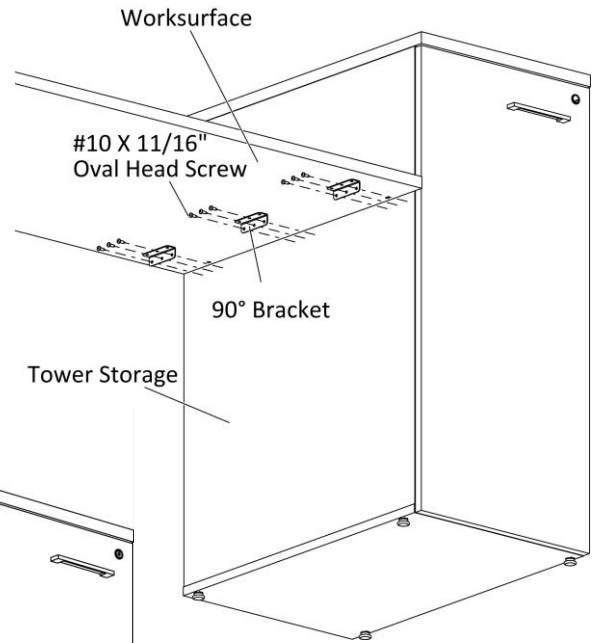
## Tools & Hardware Needed

		8540-0545 	
Drill	#2 Robertson bit	#10 X 11/16" OH Screw (7X)	Screw Cap (3X)

# Tower Storage to Worksurface Connection

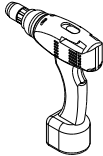

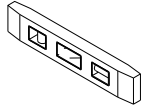

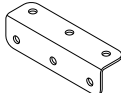
1. Ensure the worksurface is level and secure in the required configuration.
2. Position the tower storage and level it accordingly.
3. Securely fasten 90-degree brackets to the tower storage with #10 X 11/16" Oval Head Screws.
4. Drive #10 X 11/16" Oval Head Screws through the holes in 90-degree brackets into the worksurface.

**Figure 1**



**Figure 2**

## Tools & Hardware Needed

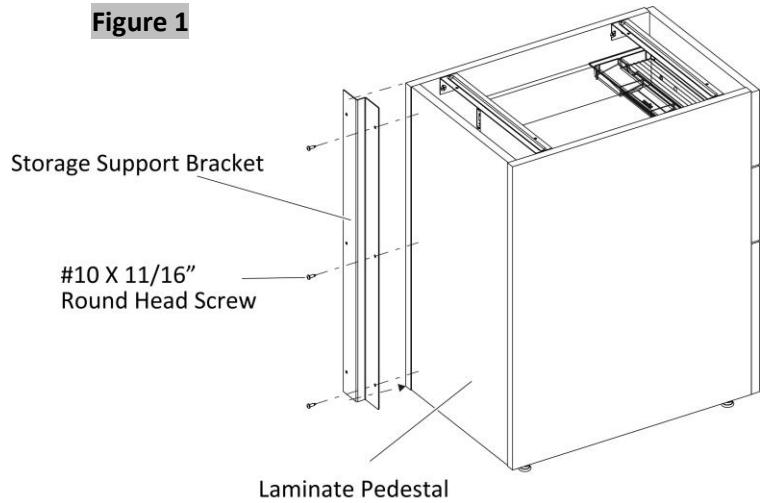
			8540-0545  24" D Worksurface – 12X 30" D Worksurface – 18X
Drill	#2 Robertson bit	Torpedo Level	#10 X 11/16" OH Screw
			
24" D Worksurface – 2X 30" D Worksurface – 3X 90° Bracket			

# Pedestal to Gallery Panel - 24D

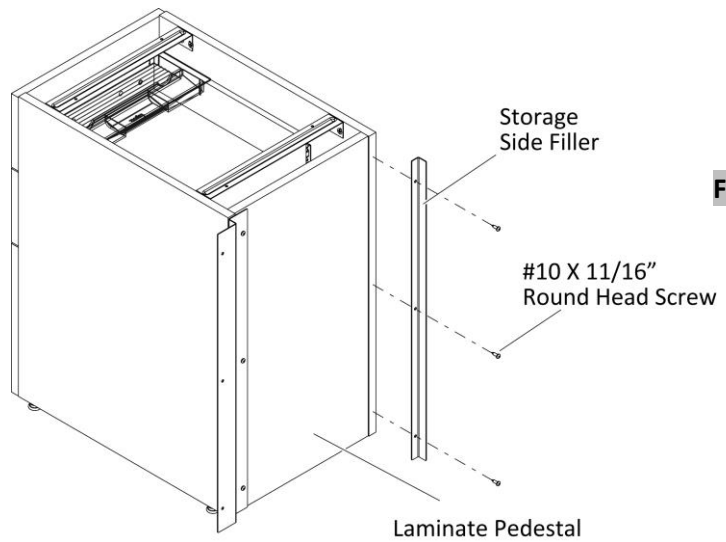
1. Position and align the outer corner of the storage support bracket with the outer corner of the pedestal, (Figure 1).  
**Note: Ensure the storage support bracket is secure in the required configuration: left or right**
2. Drive the supplied screws through the holes in the storage support bracket into the backside of the pedestal.  
**For Laminate Pedestal:**  
 Use three #10 X 11/16" Round Head Screws.  
**For Metal Pedestal:**  
 Use three #8 X 1/2" Self-drilling Screws.
3. Position and align the outer corner of the storage side filler with the outer corner of the pedestal, (Figure 2).
4. Drive the supplied screws through the holes in the storage side filler into the backside of the pedestal, please see notes on **Step 2** for the metal and laminate pedestal.
5. Position and align the edge of the storage side filler pedestal with the vertical edge of the gallery panel.

Continued on the next page >>

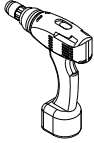

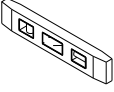



**Figure 1**



**Figure 2**



## Tools & Hardware Needed

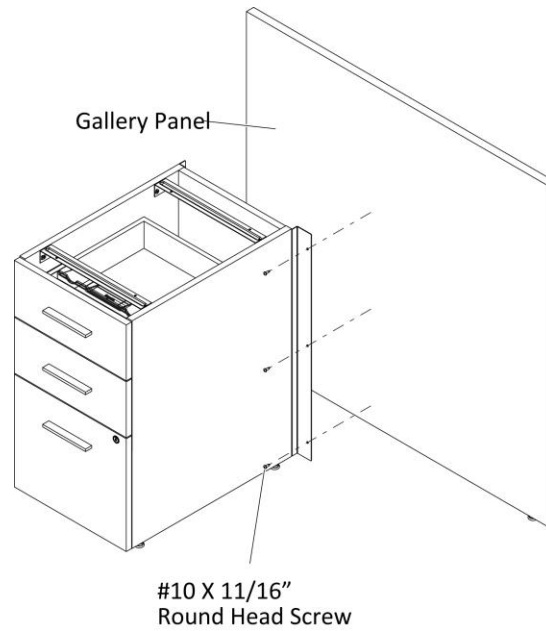
			8393-0118 
Drill	Robertson #2 Bit	Torpedo Level	Pedestal Support Bracket
8430-0162 	8540-0545  For Laminate Pedestal		
Storage Side Filler	#10 X 11/16" Round Head Screw (6X)		



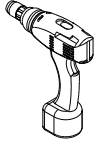

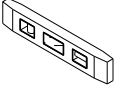

# Pedestal to Gallery Panel - 24D

6. Level the pedestal and adjust glides if necessary.
7. Drive three #10 X 11/16" Round Head Screws through the holes in the storage support bracket into the gallery panel, (Figure 2).
8. Position the worksurface over the pedestal and worksurface supports.  
**Note: Make sure worksurfaces are level and in a snug position.**
9. Securely fasten the pedestal underside of the worksurface. See "Underside Pedestal Attachment Installation".

**Figure 3**



## Tools & Hardware Needed

			8540-0545  For Laminate Pedestal
Drill	Robertson #2 Bit	Torpedo Level	#10 X 11/16" Round Head Screw (3X)

# Pedestal to Gallery Panel - 30D

1. Position and align the gallery panel mount bracket with the outer top corner of the pedestal, flush with the top, and parallel to the vertical edge of the pedestal, (Figure 1).

**Note: Ensure the gallery panel mount brackets are secure in the required configuration: left or right**

2. Drive the supplied screws through the holes in the gallery panel mount bracket into the backside of the pedestal.

**For Laminate Pedestal:**

Use two #10 X 11/16" Round Head Screws.

**For Metal Pedestal:**

Use #8 X 1/2" (8540-1203) Self-drilling Screws.

3. Position and align the other gallery panel mount bracket with the outer bottom corner of the pedestal, flush with the bottom, and parallel to the vertical edge of the pedestal.
4. Follow **Step 2** above to install the other panel mount bracket.
5. Position the pedestal and align the gallery panel mount bracket, flush with the vertical edge of the gallery panel, (Figure 2).
6. Level the pedestal and adjust glides if necessary.
7. Drive #10 X 11/16" Round Head Screws through the holes in panel mount brackets into the gallery panel.

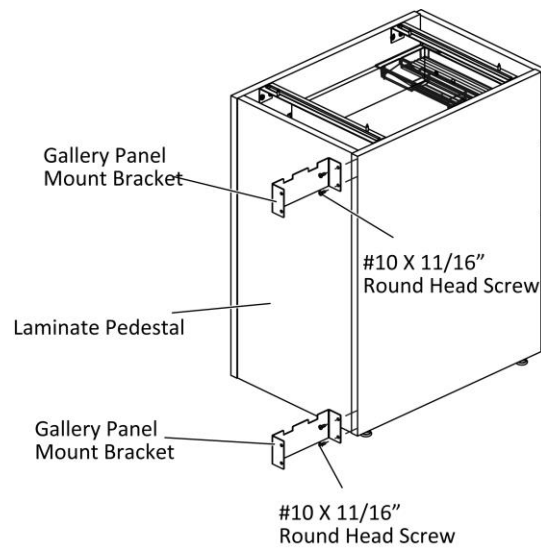


Figure 1

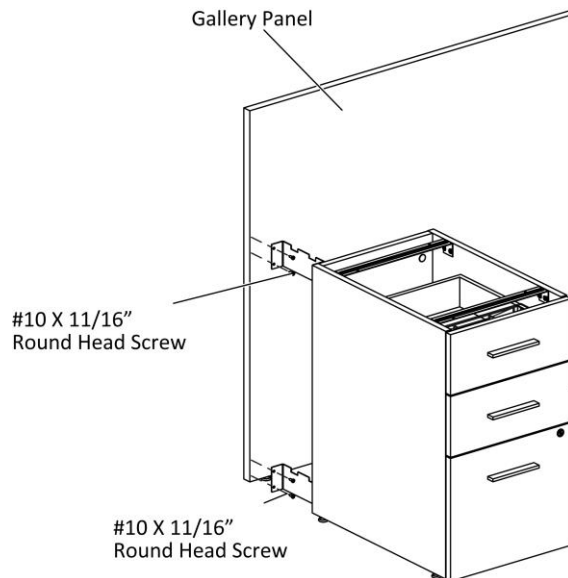
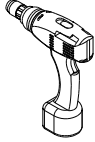

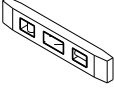
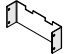



Figure 2

Continued on the next page >>

## Tools & Hardware Needed

			8393-0178-R01 
Drill	Robertson #2 Bit	Torpedo Level	Panel Mount Bracket (2X)
8540-0545 			
For Laminate Pedestal			
#10 X 11/16" Round Head Screw (8X)			

# Pedestal to Gallery Panel - 30D

8. Place the panel mount cover between the gallery panel and pedestal, (Figure 3).
9. Securely fasten the panel mount cover with #10 X 5/8", Round Head Screw, (Figure 4).
10. Position the worksurface over the pedestal and worksurface supports.  
**Note: Make sure worksurfaces are level and in a snug position.**
11. Securely fasten the pedestal underside of the worksurface. See "Underside Pedestal Attachment Installation".

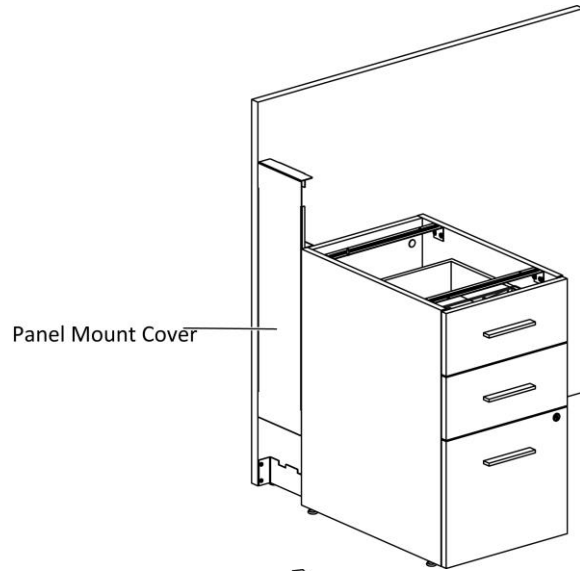


Figure 3

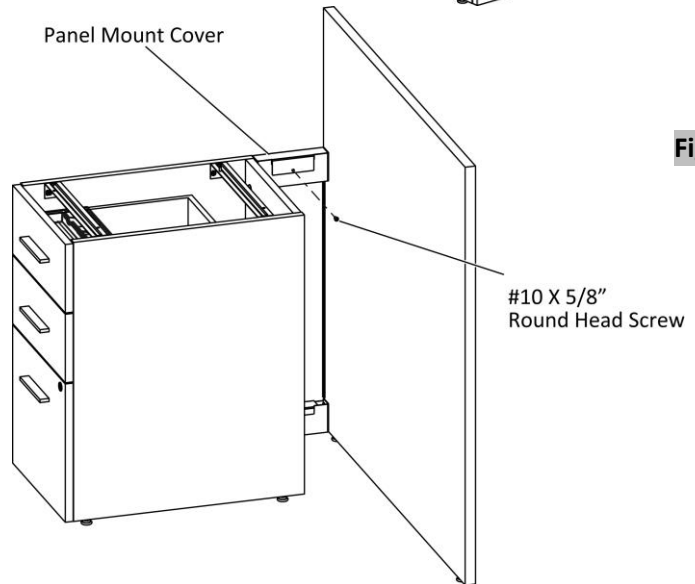
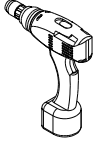





Figure 4

### Tools & Hardware Needed

		8393-0076 	8540-0545  For Laminate Pedestal
Drill	Robertson #2 Bit	Panel Mount Cover	#10 X 11/16" Round Head Screw (3X)

# Pedestal to Standard Panel - 24D

1. Position and align the outer corner of the storage standard panel mount bracket with the outer corner of the pedestal, parallel to the vertical edge of the laminate pedestal, (Figure 1).

**Note: Ensure the storage standard panel mount bracket is secure in the required configuration: left or right**

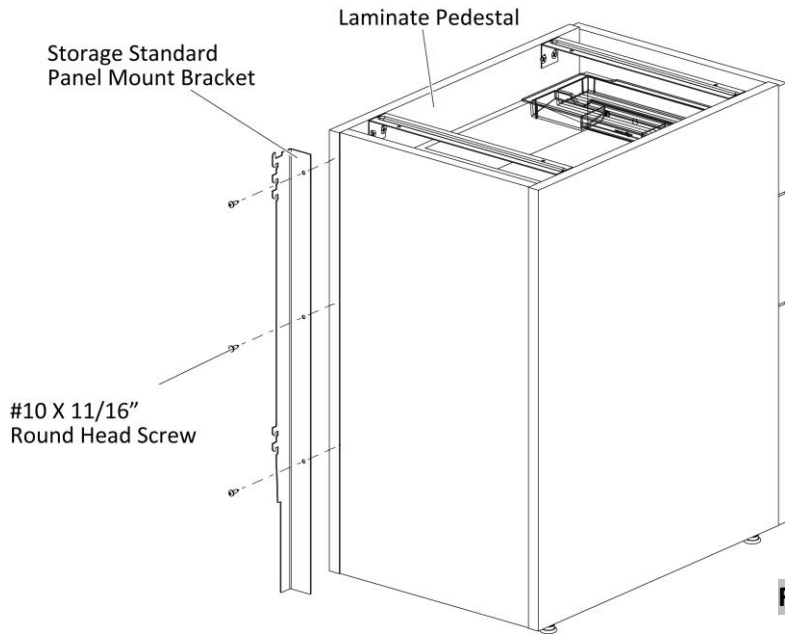
2. Drive the supplied screws through the holes in the storage standard panel mount bracket into the backside of the pedestal.

**For Laminate Pedestal:**

Use two #10 X 11/16", Round Head Screws.

**For Metal Pedestal:**

Use three #8 X 1/2" (8540-1203) Self-drilling Screws.

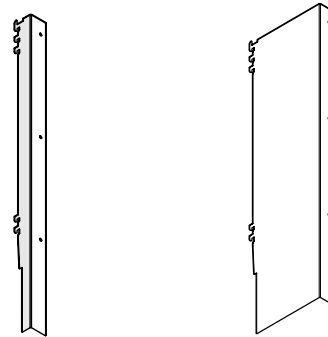


**Figure 1**

For 24" Deep Worksurface

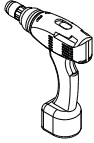


For 30" Deep Worksurface

Continued on the next page >>



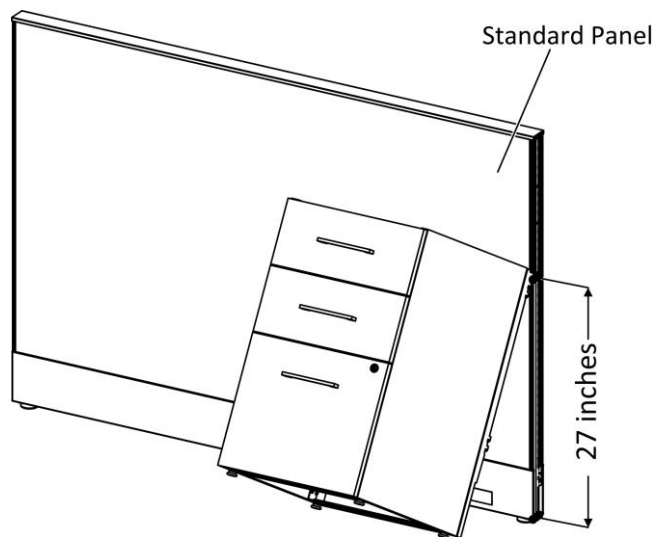
**Storage Standard Panel Mount Bracket**

**Tools & Hardware Needed**

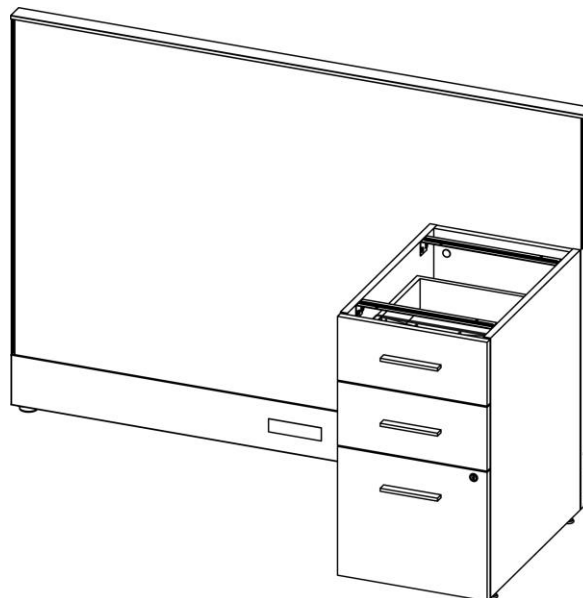
		8540-0545 	
Drill	Robertson #2 Bit	For Laminate Pedestal #10 X 11/16" Round Head Screw (3X)	

# Pedestal to Standard Panel - 24D

3. Measure from the bottom of the raceway up to 27 inches to locate the opening of the slot for the top hook of the storage standard mount bracket.
4. Insert storage standard panel mount bracket by angling the pedestal at 30 degrees; place the support hook into the slotted frame channel, release it down and the support will be engaged, (Figure 2).
5. Level the pedestal and adjust the glides if necessary, (Figure 3).
6. Position the worksurface over the pedestal and worksurface supports.  
**Note: Make sure worksurfaces are level and in a snug position.**
7. Securely fasten the pedestal underside of the worksurface. See “Underside Pedestal Attachment Installation”.

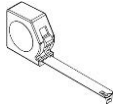


**Figure 2**



**Figure 3**

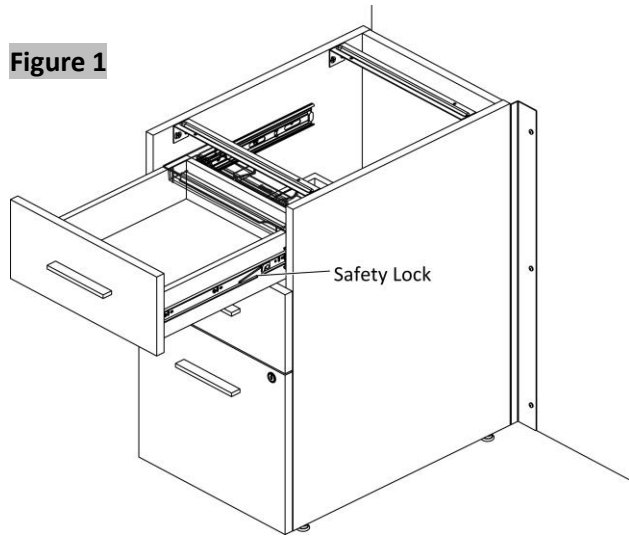
### Tools & Hardware Needed

			
Measuring Tape			

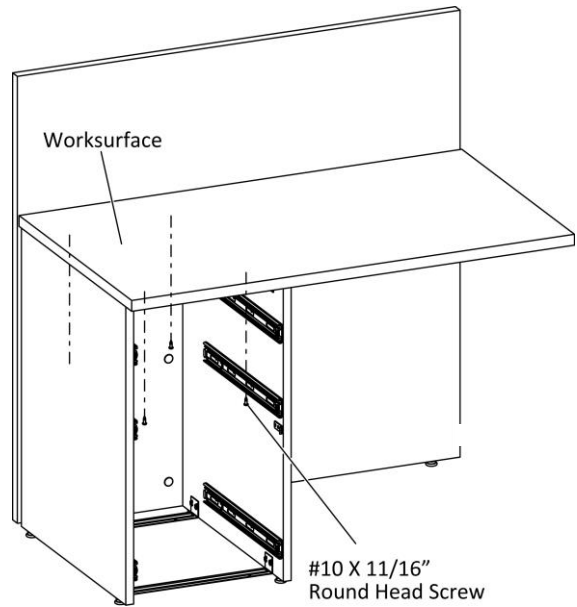
# Underside Pedestal Attachment

1. Remove drawers from the pedestal by disengaging the safety lock located at the sides of the drawer, (Figure 1).
2. Fasten the pedestal by driving four #10 X 11/16", Round Head Screws through the pedestal into the worksurface, (Figure 2).

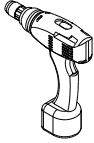


**Figure 1**



**Figure 2**



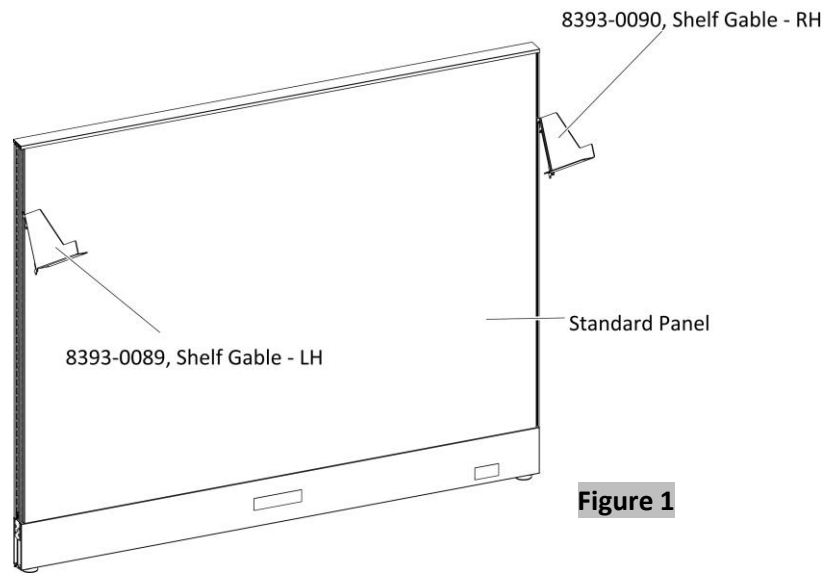
**Tools & Hardware Needed**

		8540-0545 	
Drill	Robertson #2 Bit	#10 X 11/16" Round Head Screw (4X)	

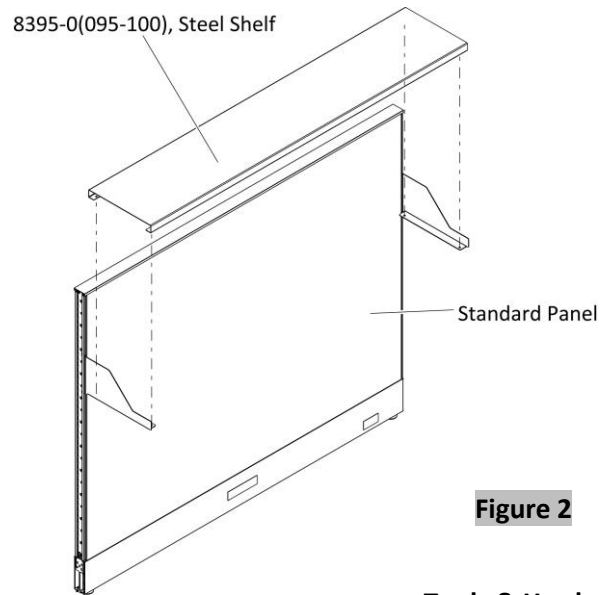
# Metal Shelf Installation

1. Angle the shelf gable (Left Hand or Right Hand) at 30 degrees angle, (Figure 1).
2. Place the upper hooks at their desired location into the slotted frame channel, release them down and it will be engaged.
3. Follow Steps 1 and 2 to install the other shelf gable.
4. Position the steel shelf on the shelf gables.

Continued on the next page >>





**Figure 1**



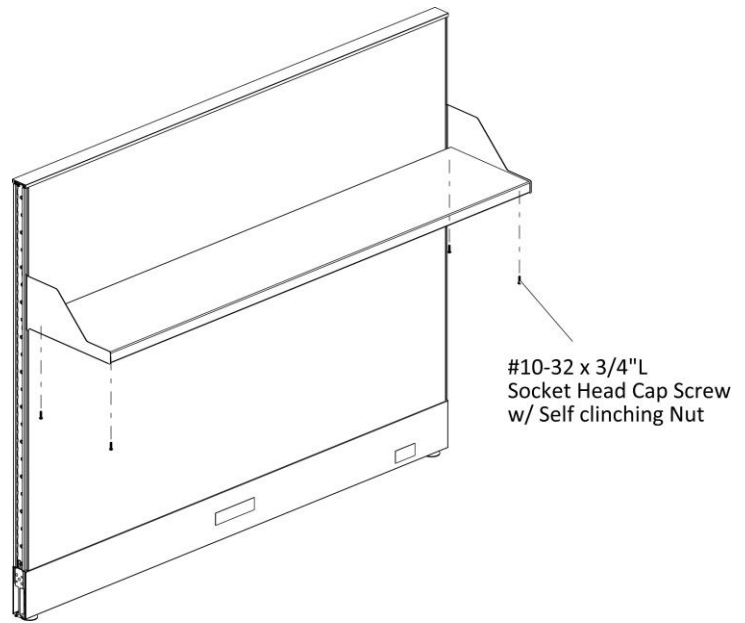
**Figure 2**

## Tools & Hardware Needed

8393-0089	8393-0090		
			
Shelf Gable - LH	Shelf Gable - RH		


# Metal Shelf Installation

- Securely fasten the steel shelf to shelf gables with #10-32 X 3/4"L Socket Head Cap Screw w/ Self-clinching nut, 10-32 type 1, (Figure 3).



**Figure 3**

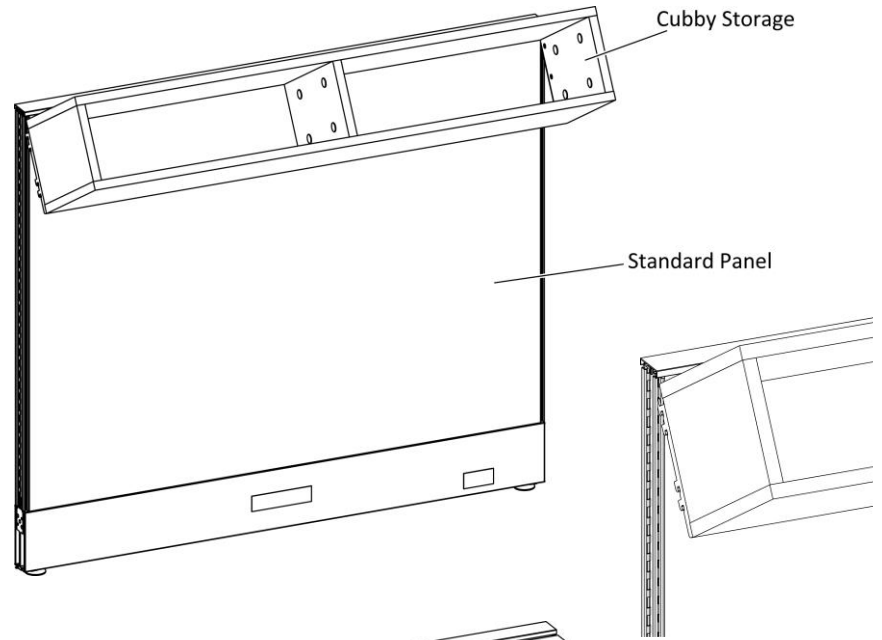
## Tools & Hardware Needed

8540-0555 			
#10-32 X 3/4"L SHC Screw w/ Nut (4X)			

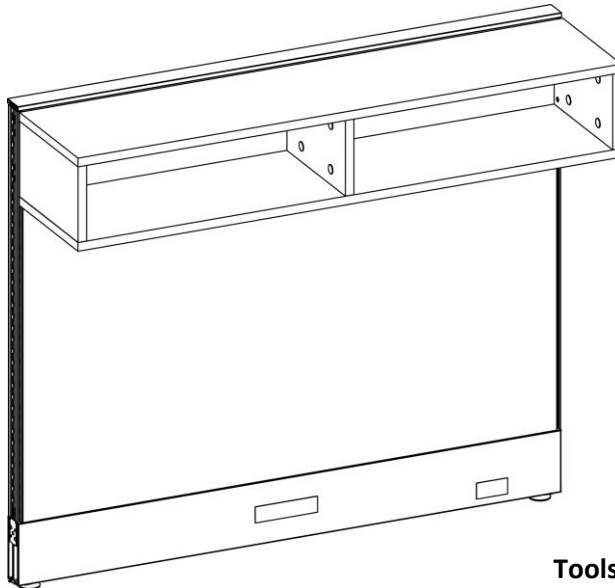


# Cubby Storage Installation

1. Angle the cubby storage at a 30-degree angle, (Figure 1).
2. Place the upper hooks at their desired location into the slotted frame channel, release them down and it will be engaged.



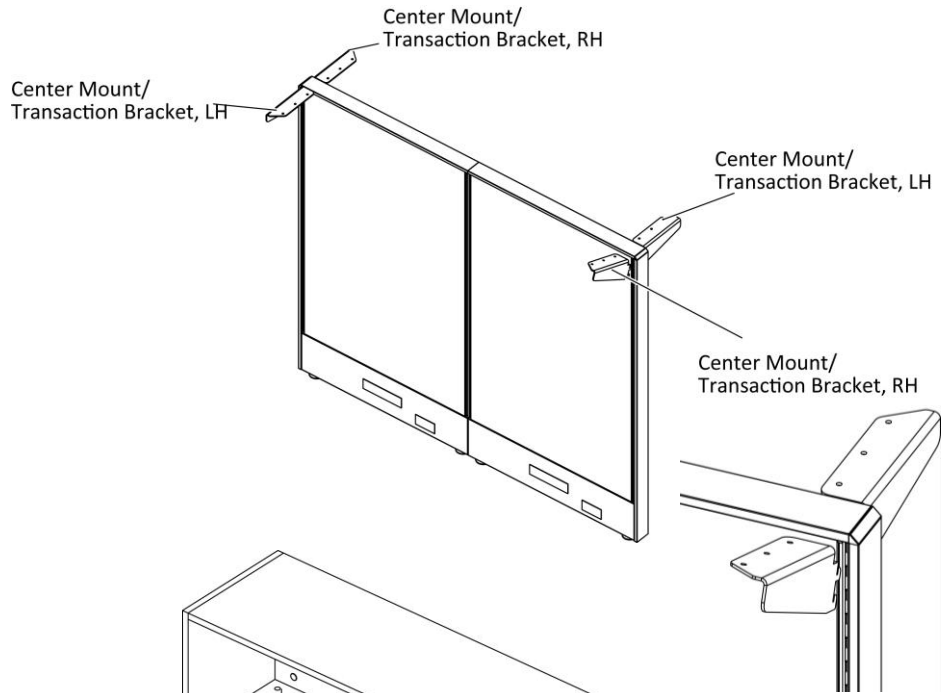
**Figure 1**



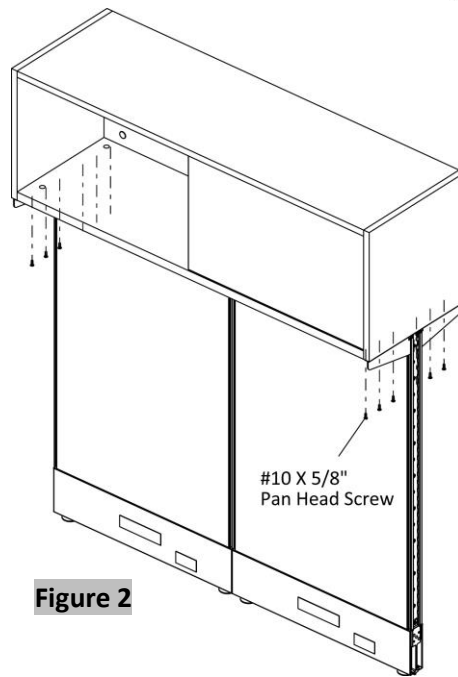
## Tools & Hardware Needed


# Shared Overhead Cabinet Installation

1. Angle the center mount/transaction bracket at a 30-degree angle and insert the upper hooks to the topmost slot in the panel frame.; push the bracket up, and release them down to engage the lock, (Figure 1). Ensure the center mount/transaction bracket is secure in the required configuration: Center, Left, or Right
2. Position the shared overhead cabinet. The center holes of the center mount or transaction bracket should be in the center of the pre-drilled holes.
3. Securely fasten the shared overhead with #10 X 5/8" Pan Head Screws, (Figure 2).

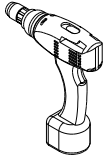
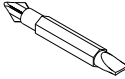

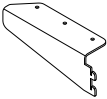
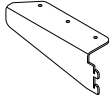


**Figure 1**



**Figure 2**

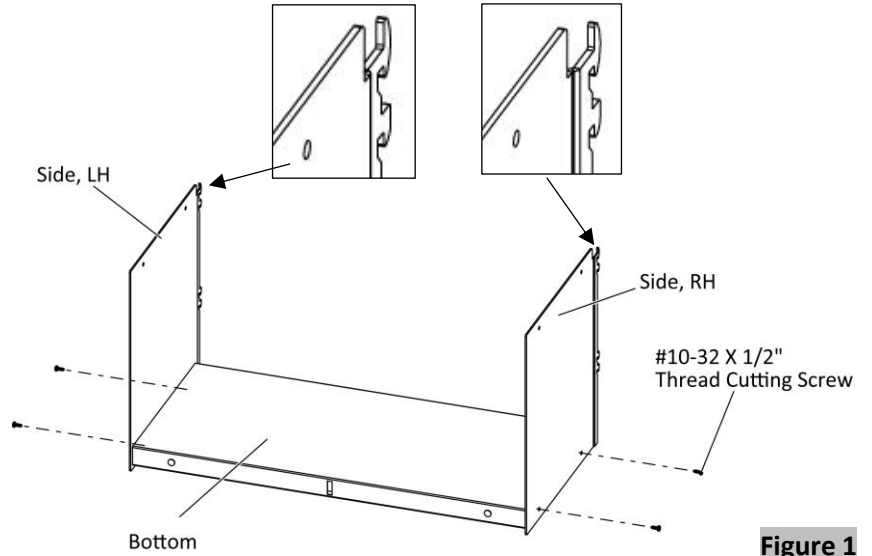
## Tools & Hardware Needed

			
Drill	Phillips #2 Bit or Robertson #2	#10 X 5/8" Pan Head Screw (12X)	Transaction Bracket, RH (2X)
			
Transaction Bracket, RH (2X)			

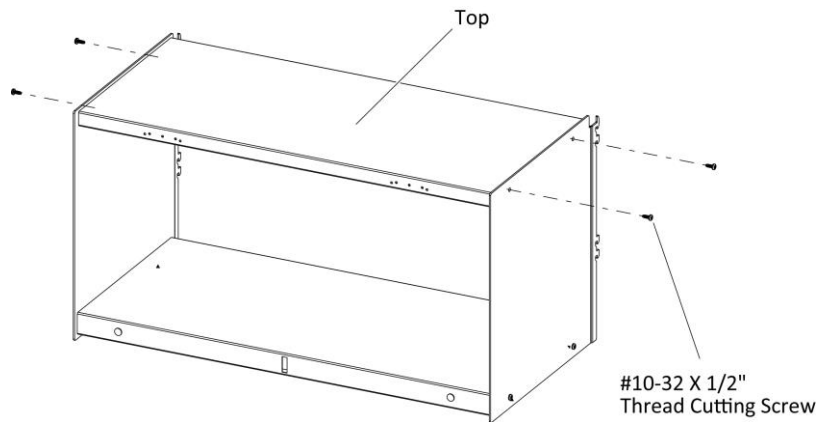
# Flipper Cabinet Installation

1. Position the flipper cabinet sides and securely fasten them to the flipper cabinet bottom with #10-32 X 1/2" Thread Cutting Screw, (Figure 1).
2. Position the flipper cabinet top and securely fasten it to the flipper cabinet sides with #10-32 X 1/2" Thread Cutting Screw, (Figure 2).

Continued on the next page >>

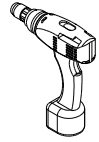
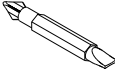



**Figure 1**



**Figure 2**

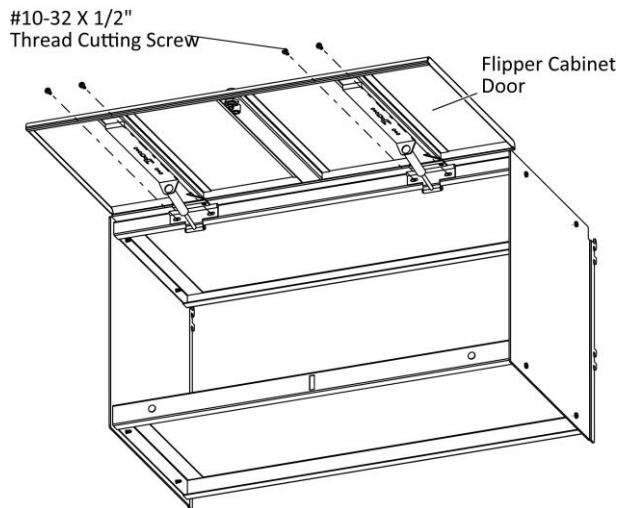
## Tools & Hardware Needed

		8540-1136 	
Drill	Phillips #2 Bit	#10-32 X 1/2" Screw (8X)	

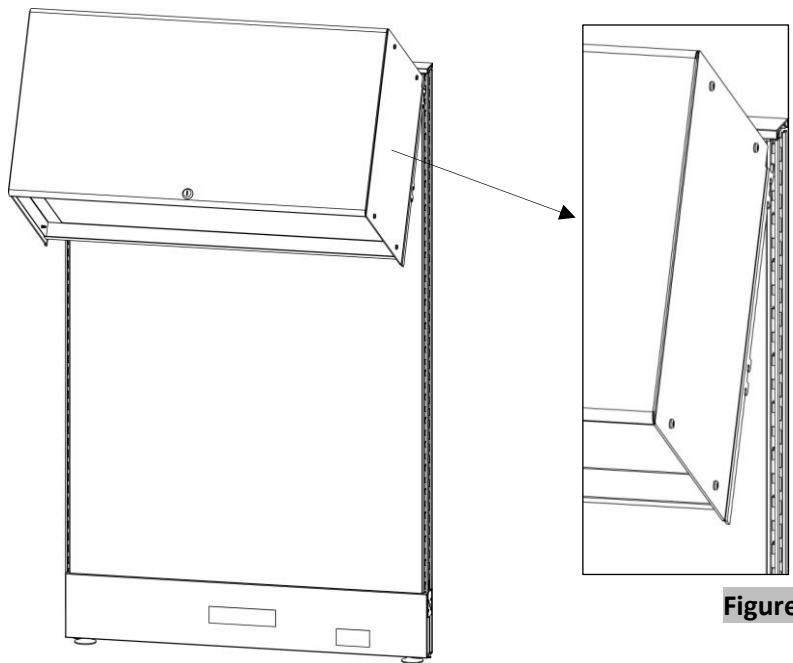
# Flipper Cabinet Installation

3. Securely fasten the flipper cabinet door to the flipper cabinet top with a #10-32 X 1/2" Thread Cutting Screw, (Figure 3).
4. Angle the flipper cabinet at a 30-degree angle.
5. Place the upper hooks at their desired location into the slotted frame channel, release them down and it will be engaged, (Figure 4).

Continued on the next page >>


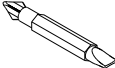



**Figure 3**



**Figure 4**

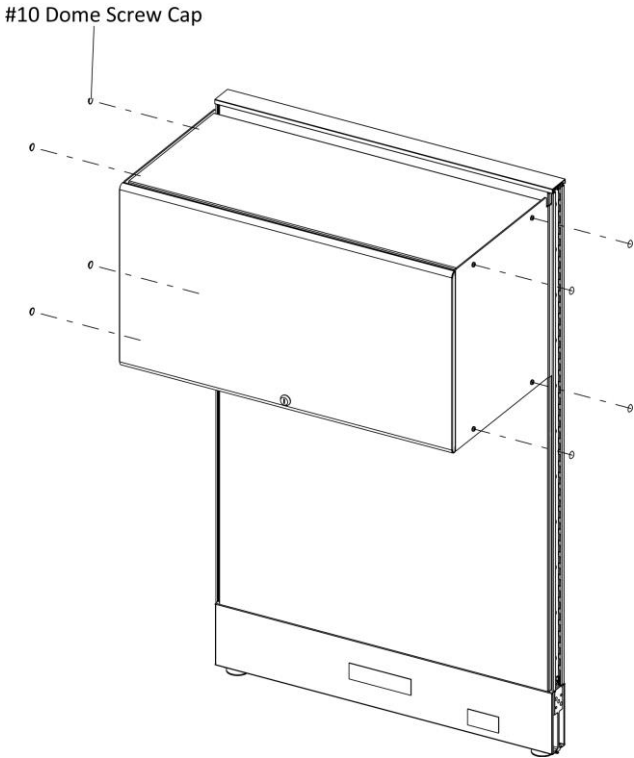
## Tools & Hardware Needed

		8540-1136 	
Drill	Phillips #2 Bit	#10-32 X 1/2" Screw (4X)	


# Flipper Cabinet Installation

- 6. Attach the #10 Dome Screw Caps provided.

**Figure 5**



**Tools & Hardware Needed**

8545-XXXX			
			
#10 Dome Screw Cap			

# Open-Hinged Cabinet Installation

1. Angle the gable (Left Hand or Right Hand) at a 30-degree angle.
2. Place the upper hooks at their desired location into the slotted frame channel; lower the gable and place the other hooks then release them down and it will be engaged, (Figure 1).
3. Follow **Steps 1 and 2** to install the other gable.

Continued on the next page >>

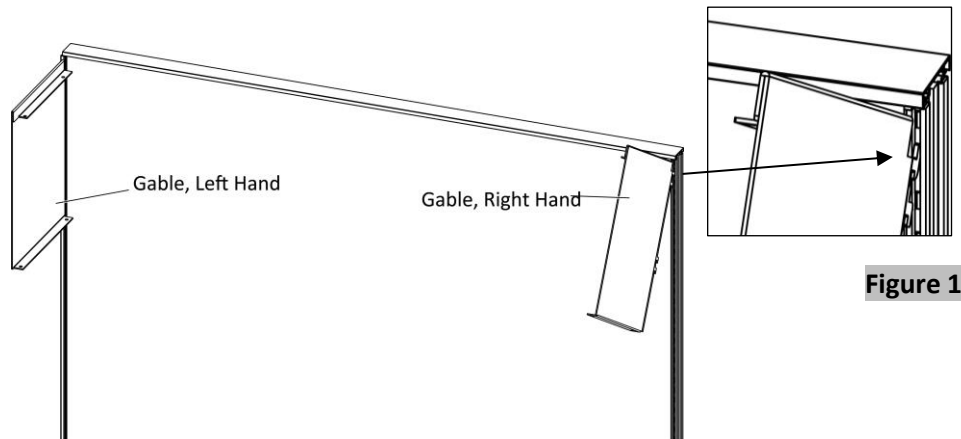
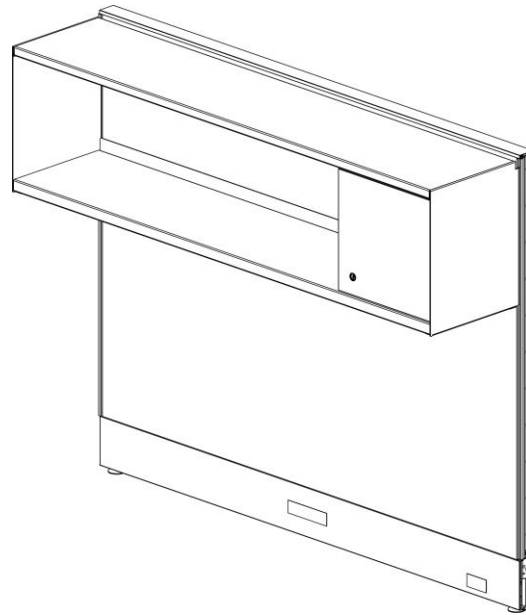


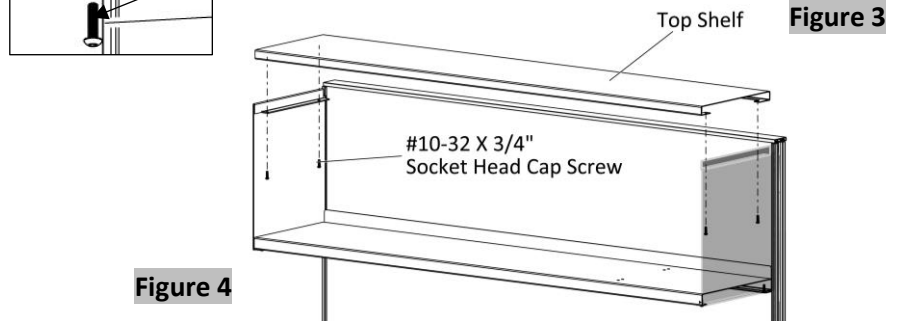
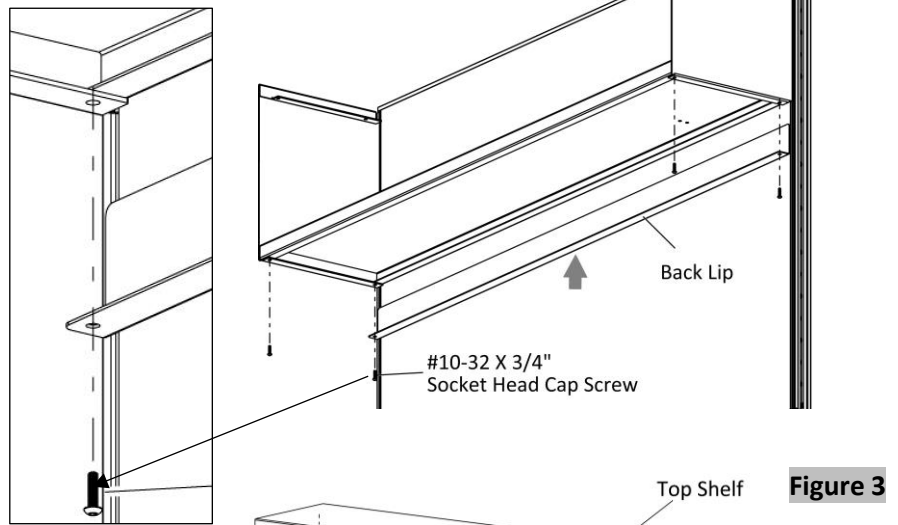
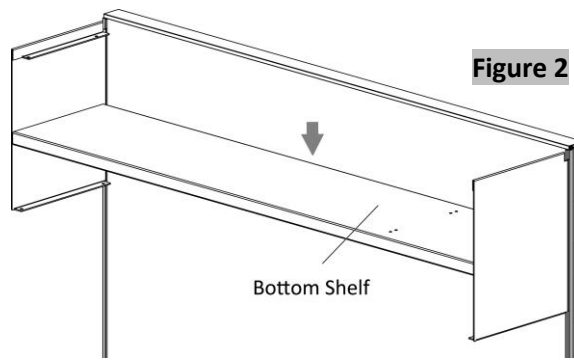
Figure 1

## Tools & Hardware Needed





# Open-Hinged Cabinet Installation

4. Position the bottom shelf at the desired position, (Figure 2).
5. Securely fasten the back lip and bottom shelf into gables with #10-32 X 3/4" Socket Head Cap Screws, (Figure 3).
6. Position the top shelf and securely fasten it to gables with 10-32 X 3/4" Socket Head Cap Screws, (Figure 4).

Continued on the next page >>



## Tools & Hardware Needed

		8540-0555 	
Drill	Hex Bit	#10-32 X 3/4" SH Cap Screw (8X)	

# Open-Hinged Cabinet Installation

7. Position the middle gable at the desired location and securely fasten it to the top and bottom shelves with 10-32 X 3/4" Socket Head Cap Screws, (Figure 5).
8. Position the door at the desired location.
9. Slide the door hinges into the hinge mounting plate then push them to snap, (Figure 6).
10. Adjust the gap, depth, and height if necessary.

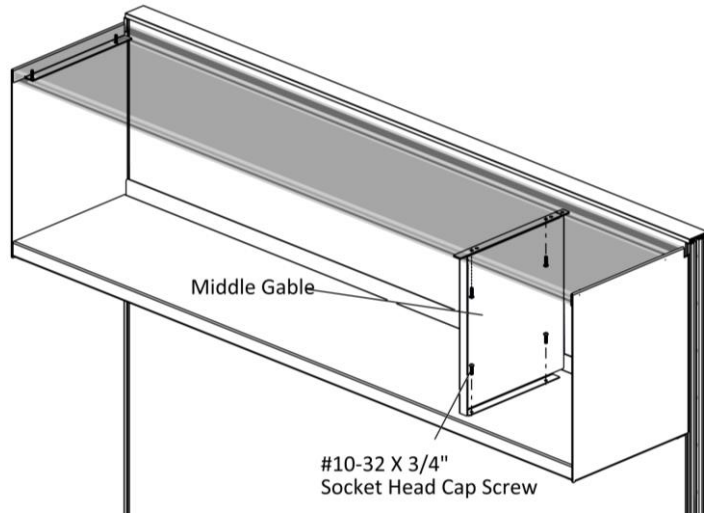


Figure 5

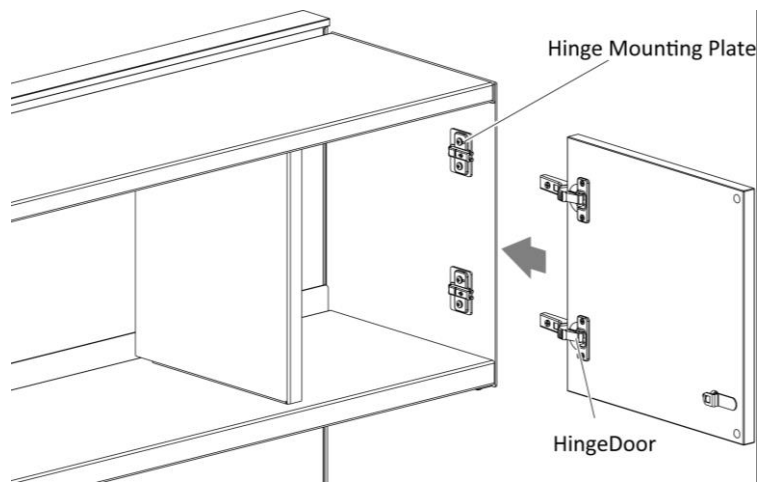

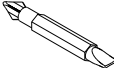
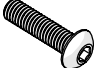



Figure 6

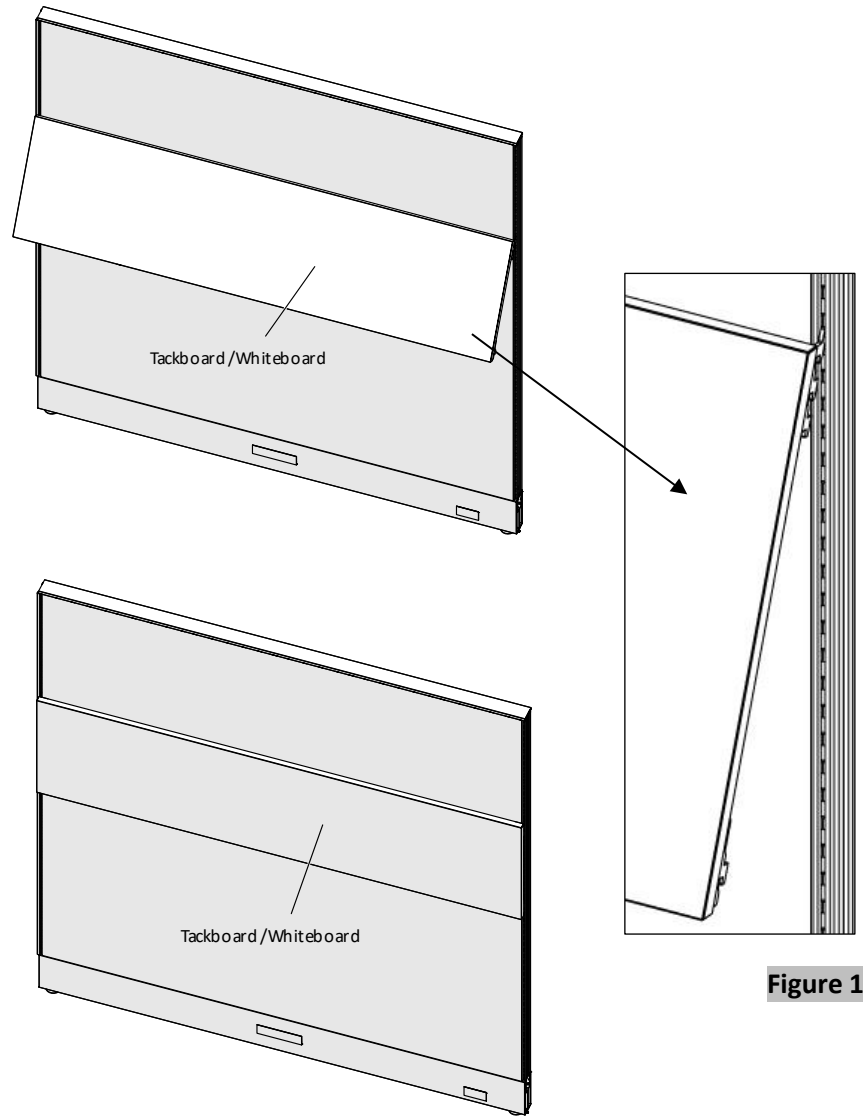
## Tools & Hardware Needed

		8540-0555 	8540-1204 
Drill	Phillips #2 Bit	#10-32 X 3/4" SH Cap Screw (4X)	#10-32 X 1/4" Screw (4X)



# Tackboard/Whiteboard Installation

1. Angle the tackboard or whiteboard at a 30-degree angle.
2. Place the upper hooks at their desired location into the slotted frame channel; lower the tackboard/whiteboard and place the other hooks then release them down and it will be engaged, (Figure 1).

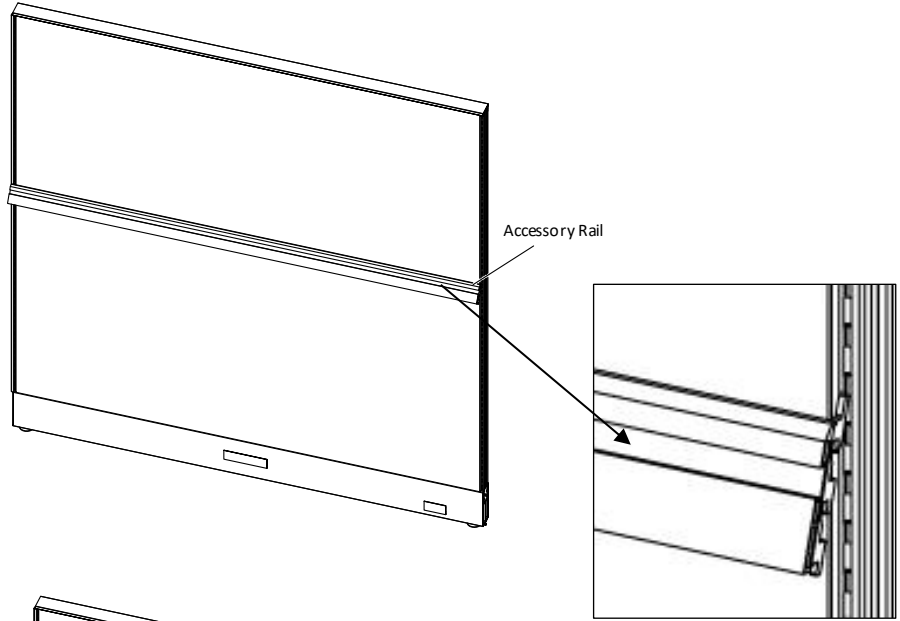


**Figure 1**

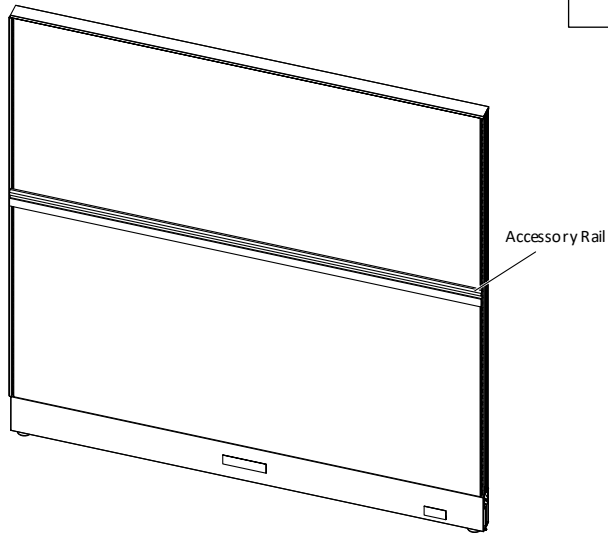
## Tools & Hardware Needed


# Accessory Rail Installation

1. Angle the accessory rail at a 30-degree angle.
2. Place the upper hooks at their desired location into the slotted frame channel; lower the accessory rail and place the other hooks then release them down and it will be engaged, (Figure 1).



**Figure 1**



## Tools & Hardware Needed


# Accessories Installation

1. Insert the hooks of the paper tray into the accessory bar channel, push it down and the paper tray will be engaged, (Figures 1 and 2).
2. Proceed in the same way to install the pen holder.
3. For the paper sorter, angle it at 30 degrees and insert the upper hooks into the accessory bar channel. Release it down and the paper sorter will be engaged.

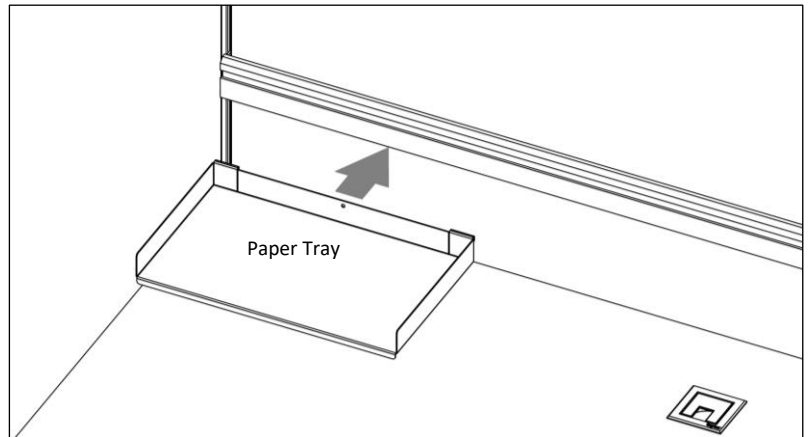


Figure 1

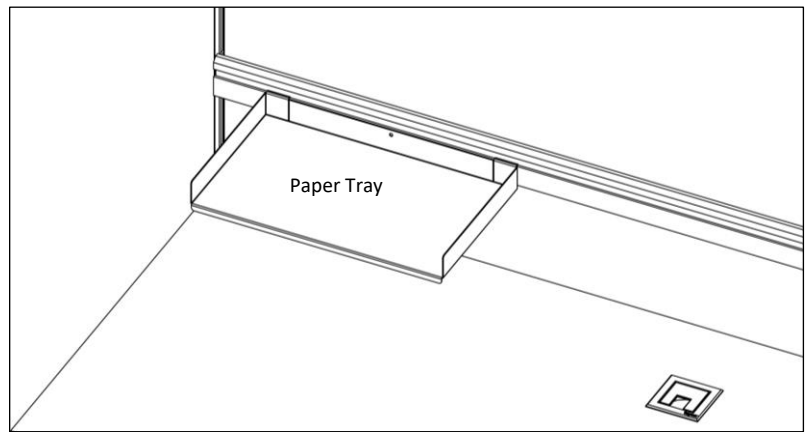
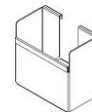


Figure 2



Paper Sorter



Pen Holder

## Tools & Hardware Needed


# CPU Holder Installation

1. Attach part (A) to the underside of the worksurface with six #10 X 11/16" Oval Head Screws, (Figure 1).
2. Engage the slots on part (B) to protruding supports on part (A), (Figure 2).
3. Position the CPU holder into place, (Figure 3).

Continued on the next page >>

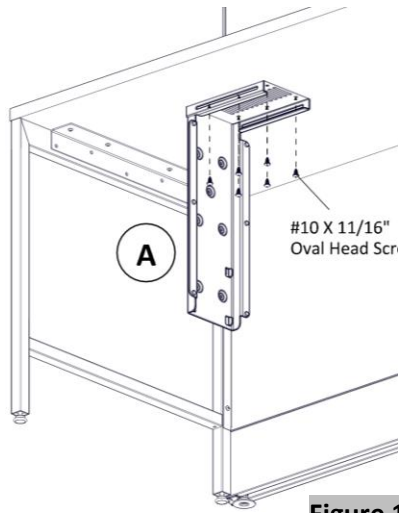


Figure 1

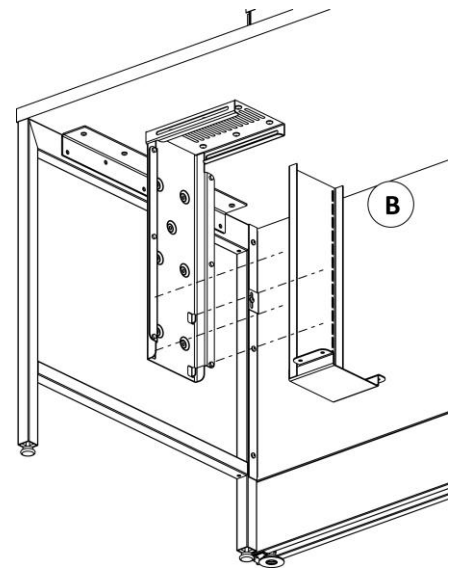


Figure 2

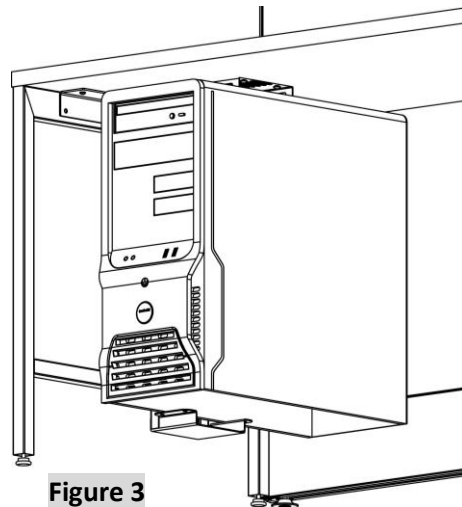
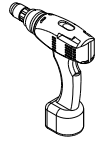




Figure 3

## Tools & Hardware Needed

		8540-0545 	
Drill	Robertson #2 Bit	#10 X 11/16" Round Head Screw (6X)	

# CPU Holder Installation

- 4. Slide and engage part (C) to part (A), (Figure 4).
- 5. Figure 5 shows the assembled CPU holder.

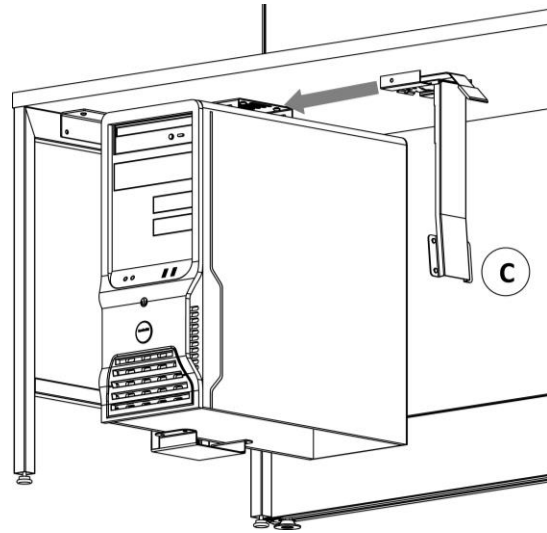


Figure 4

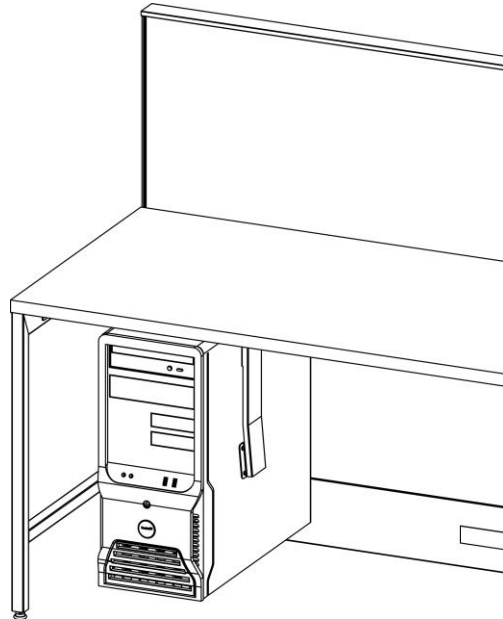
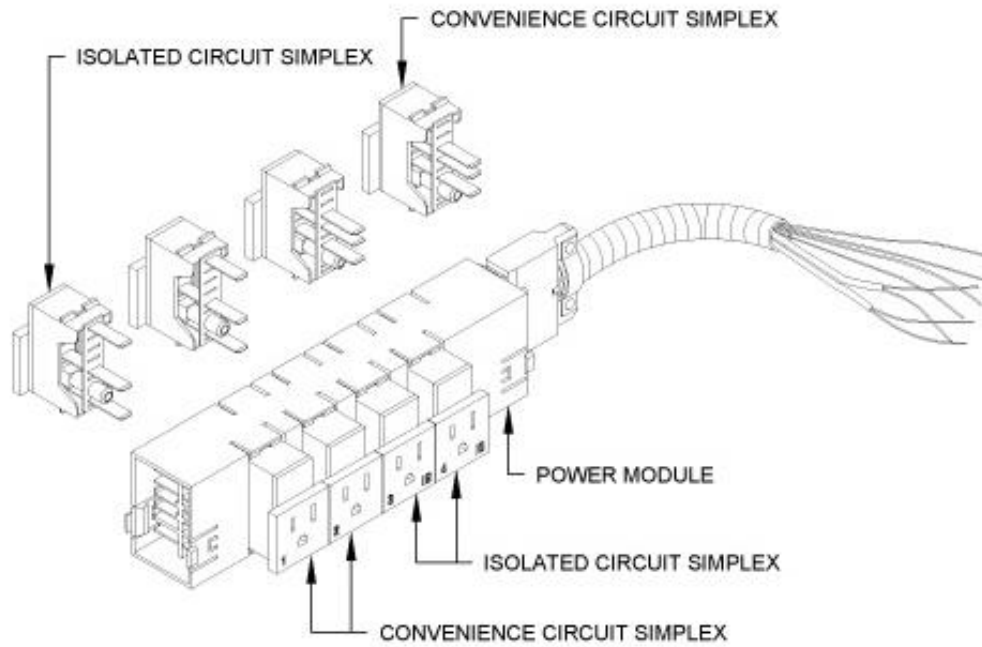


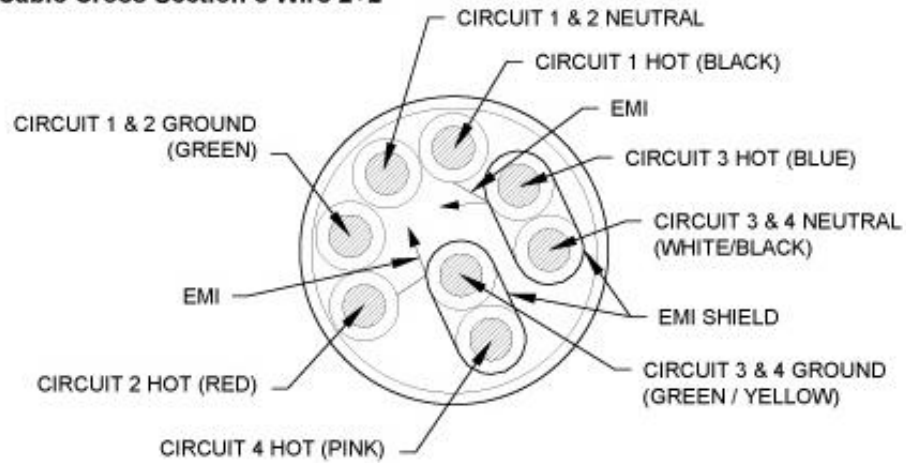
Figure 5

## Tools & Hardware Needed


# Electrical Components and Specifications



## Cable Cross Section 8 Wire 2+2

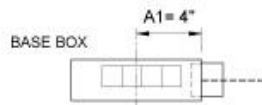
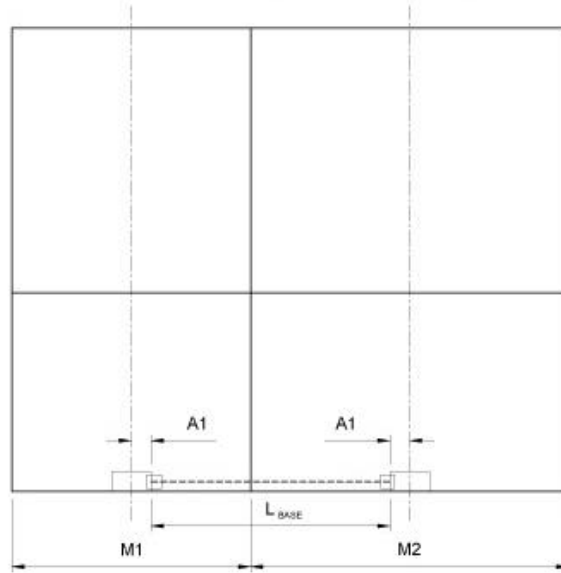


### NOTE:

- > All wires are 12 AWG in oval flex.

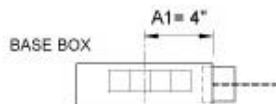
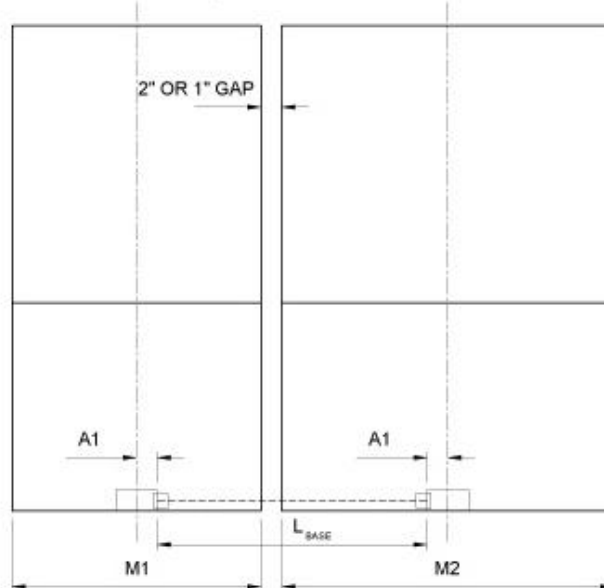
# Harness Calculation

## ELECTRICAL CABLE LENGTH CALCULATION ON A STRAIGHT PANEL CONNECTION



$$L_{\text{BASE}} = \frac{M1 + M2}{2} - 8''$$

## ELECTRICAL CABLE LENGTH CALCULATION ON A CORNER, T- OR X- PANEL CONNECTION



$$L_{\text{BASE}} = \frac{M1 + M2}{2} + 3'' - 8''$$

# Desktop Power Installation

## Notes:

- Only applicable with a 1-inch gap surface.
- For furniture power distribution units, model no. TV2803-TC (Electrical rating: AC 12-V/6-Hz, 15 A)

**CAUTION:** To prevent the risk of fire and electric shock, please be sure to read all instructions before installing or using the unit.

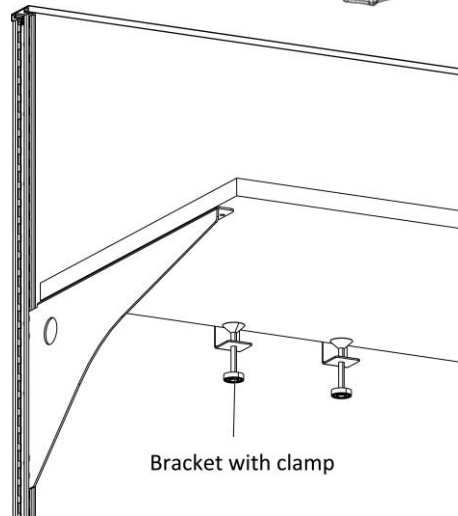
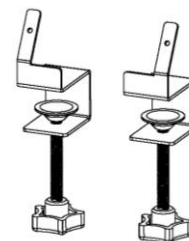
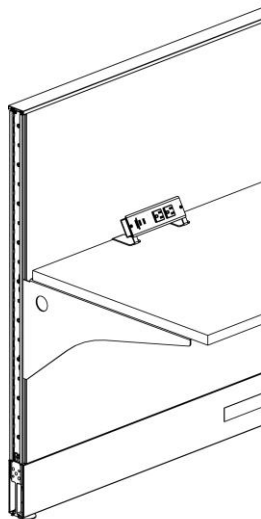
## IMPORTANT SAFETY INSTRUCTIONS

**WARNING – To reduce the risk of fire, electric shock, or injury to persons:**

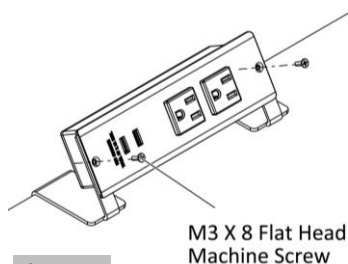
- Use the unit for indoor applications only.
- Do not use the extension cord(s) to connect the unit to power.
- Do not use a receptacle for connecting devices over 15A.
- Do not try to open the unit for any reason.

## MOUNTING INSTRUCTIONS

1. Attach the brackets to the power strip using included M3 X 8 Flat Head Machine Screws, (Figure 1).
2. Open the clamps by turning the thumb screws counterclockwise.
3. Place the clamps on the edge of the desired mounting surface. Turn the thumb screws clockwise and check if the power unit is securely installed to the mounting surface. Do not overtighten the thumb screws.
4. Plug the power cord into the nearest wall outlet. Make sure the wall outlet is properly grounded.


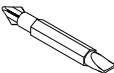

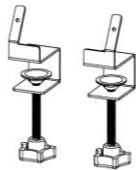



**Figure 2**



**Figure 1**

## Tools & Hardware Needed

			
Drill	Phillips #2 Bit	M3 X 8 Machine Screw (2X)	Bracket with clamp
			
Power Strip			



# Power Module, Connector Harness & Communication Kit Installation

**CAUTION:** To prevent the risk of fire and electric shock, please be sure to read all instructions before installing or using the unit.

## IMPORTANT SAFETY INSTRUCTIONS

**WARNING –** To reduce the risk of fire, electric shock, or injury to persons:

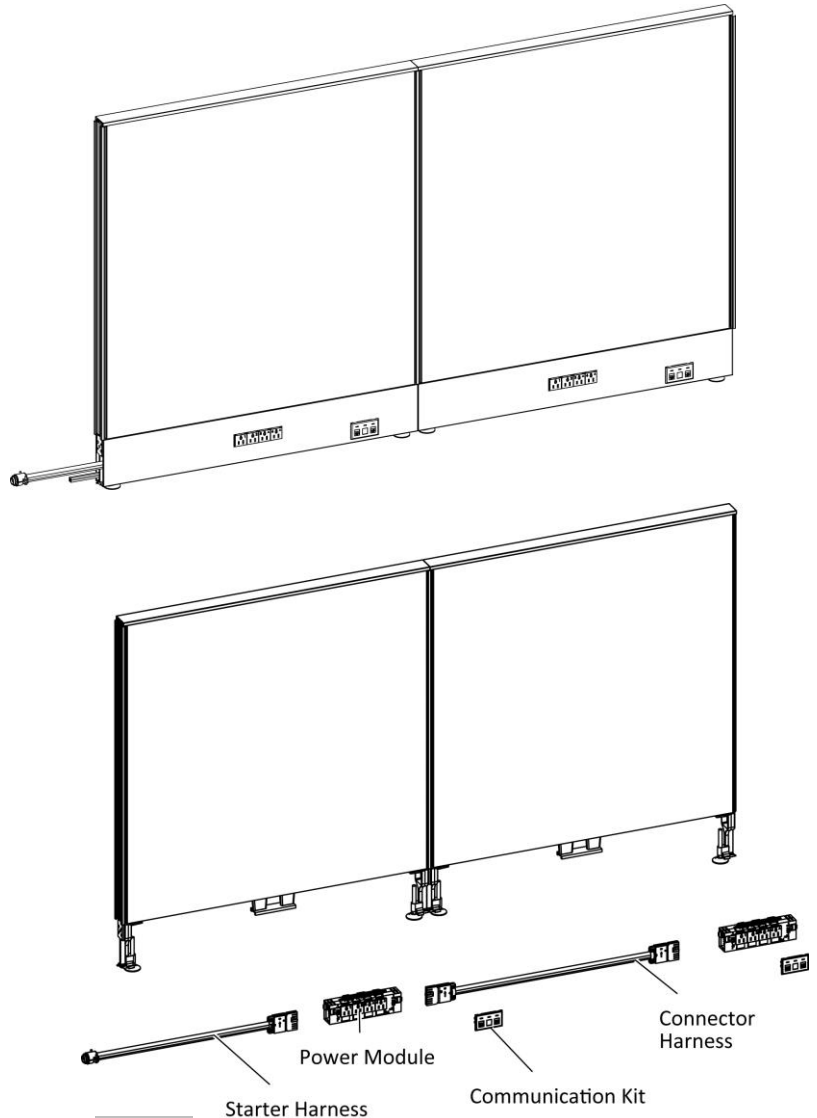
- Consult local codes for compliance.
- Use the unit for indoor applications only.
- Do not use the extension cord(s) to connect the unit to power.

- 1.** Sort all connector harnesses, power modules, and communication kits.

**Note:** Communication wires are not included.

- 2.** Lay them beside the panels that are to be electrified, (Figure 1).

Continued on the next page >>



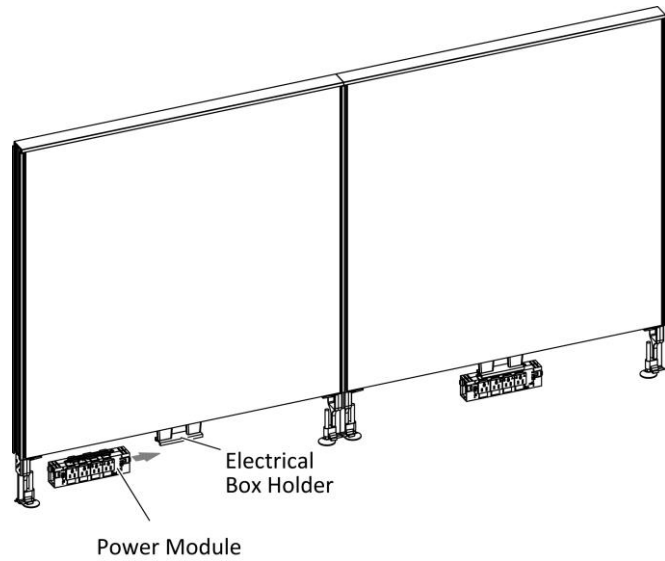
**Figure 1**

## Tools & Hardware Needed

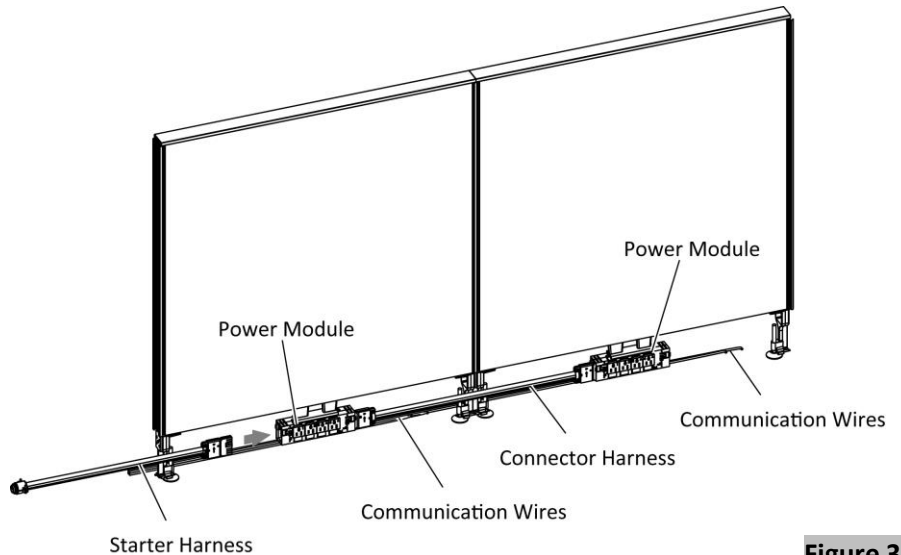

# Power Module, Connector Harness & Communication Kit Installation

3. Slide the power module right or left into the electrical box holder, (Figure 2).
4. Connect the correct electrical harnesses and lay the communication wires, (Figure 3).  
**Note: Communication wires are not included.**

Continued on the next page >>



**Figure 2**

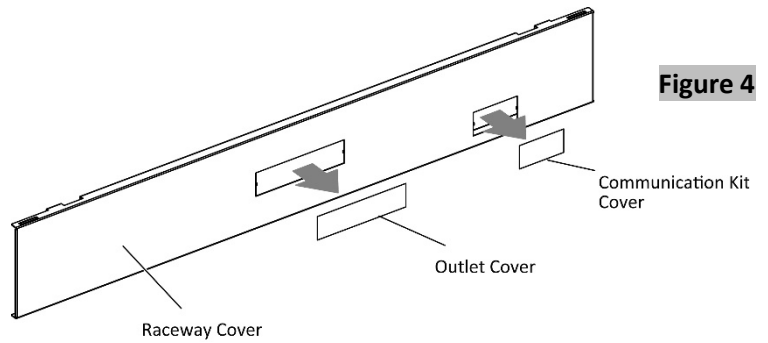


**Figure 3**

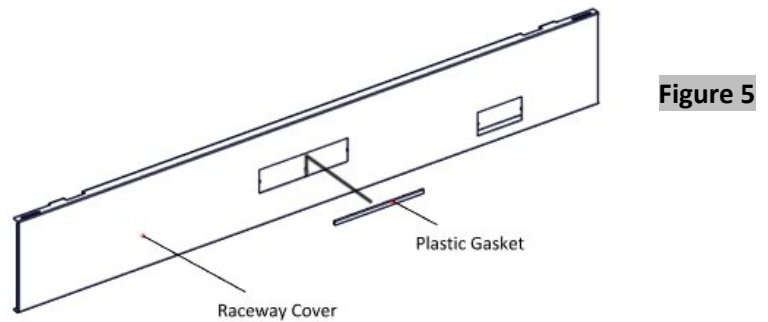
## Tools & Hardware Needed


# Power Module, Connector Harness & Communication Kit Installation

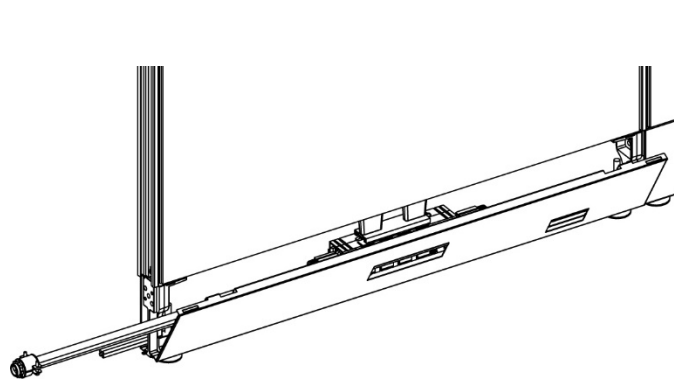
5. Pop out the outlet cover, and communication kit cover of the raceway cover that is to be electrified, (Figure 4).
6. Insert the plastic gasket on the bottom edge of the outlet cover opening, (Figure 5).
7. Place the raceway cover, (Figure 6). See "Raceway Cover Installation".
8. Connect the communication wires to the communication kit.
9. Insert the communication kit into the opening (Figure 7).



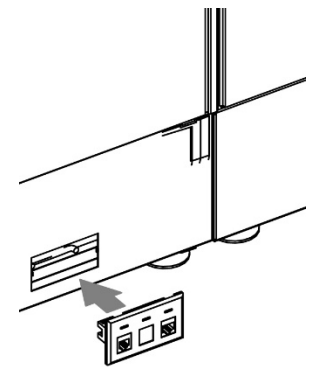
**Figure 4**



**Figure 5**



**Figure 6**

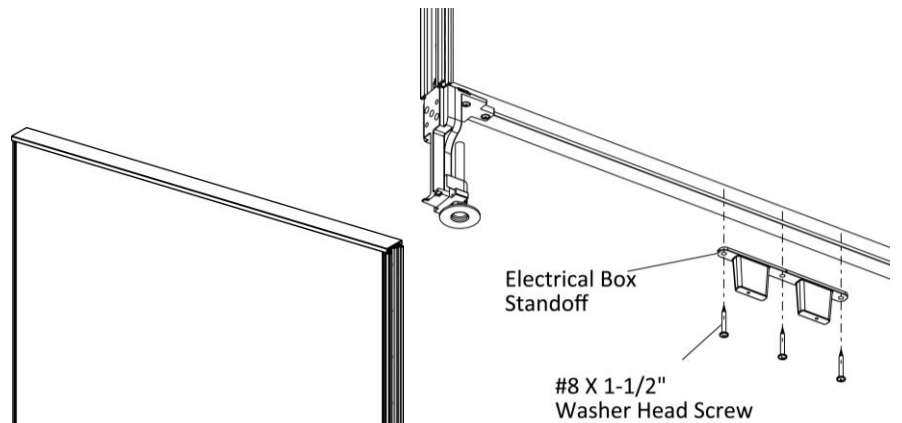


**Figure 7**

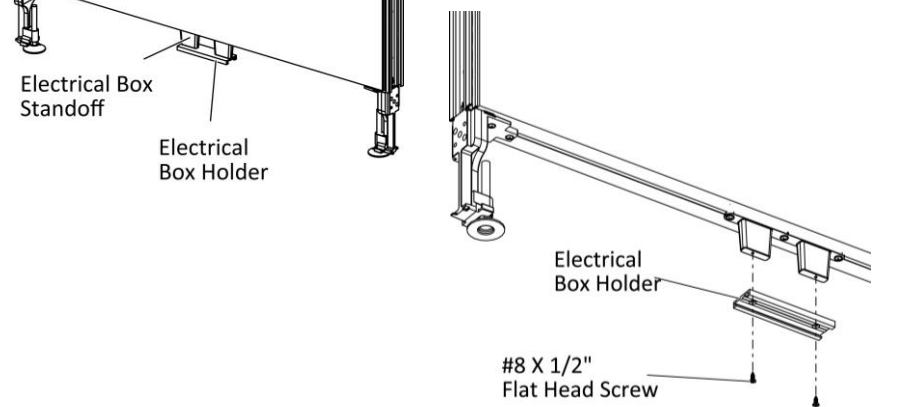
## Tools & Hardware Needed


# Electrical Box Holder Installation

1. Center the electrical box standoff holder at the bottom of the panel, (Figure 1).
2. Drive three #8 X 1- 1/2" Washer Head Screws through the holes in the electrical box standoff into the panel.
3. Attach the electrical box holder with two #8 X 1/2" Flat Head Screws, (Figure 2).

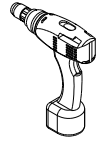
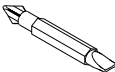
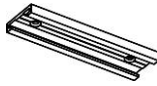



**Figure 1**



**Figure 2**

## Tools & Hardware Needed

		8683-0038	8540-1185
Drill	Phillips #2 Bit	Electrical Box Standoff	#8 X 1-1/2" Washer Head Screw (3X)
8410-0004	8540-0600		
			
Electrical Box Holder	#8 X 1/2" Flat Head Screw (2X)		

# 2- Way Power Pole Installation

1. Inspect ceiling condition before beginning installation. If the ceiling material is acoustical tile, remove the tile above the power pole before attaching it to the panel.
2. Position the 2-way power pole bracket on the top corner of the panels, (Figure 1).
3. Drive four #8 X 1-1/4", Flat Head Screws through the holes in the 2-way power pole bracket into the panels.
4. Disengage the power pole and position half of the power pole by inserting the power pole holder bracket into the power pole.
5. Securely fasten the power pole into the power pole bracket with four #8-32 X 1/4" Screws, (Figure 2).

Continued on the next page >>

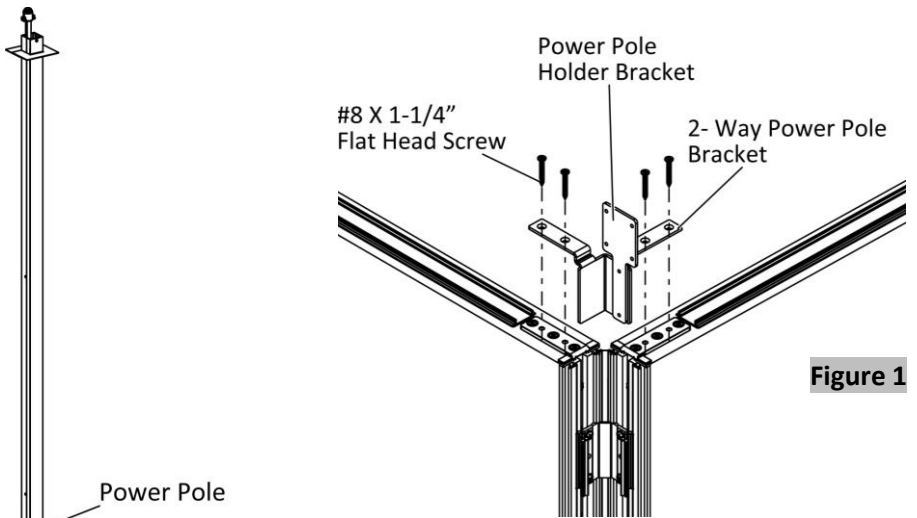


Figure 1

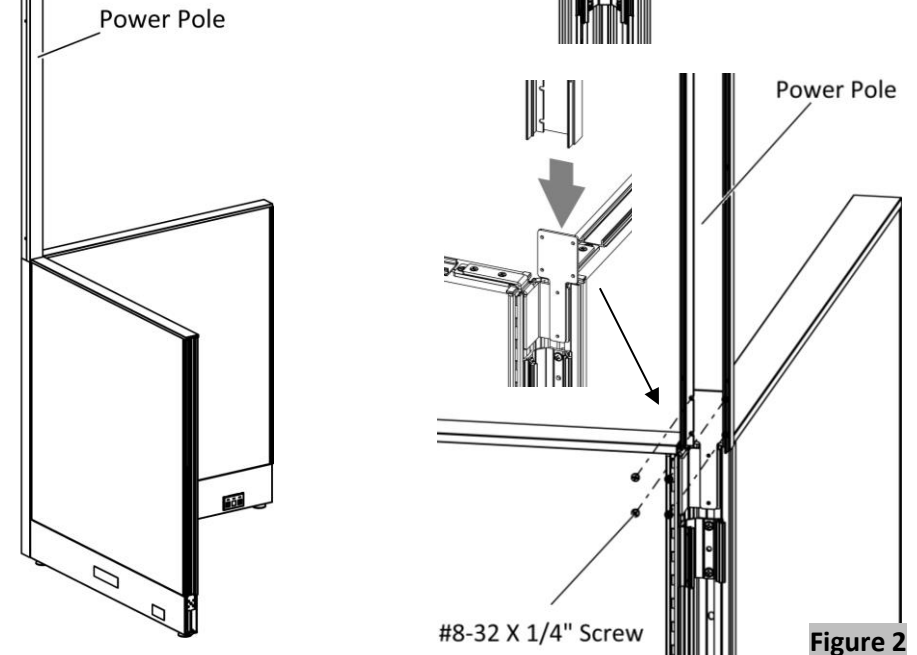
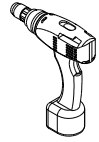
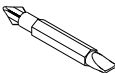
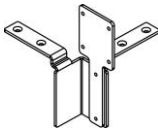




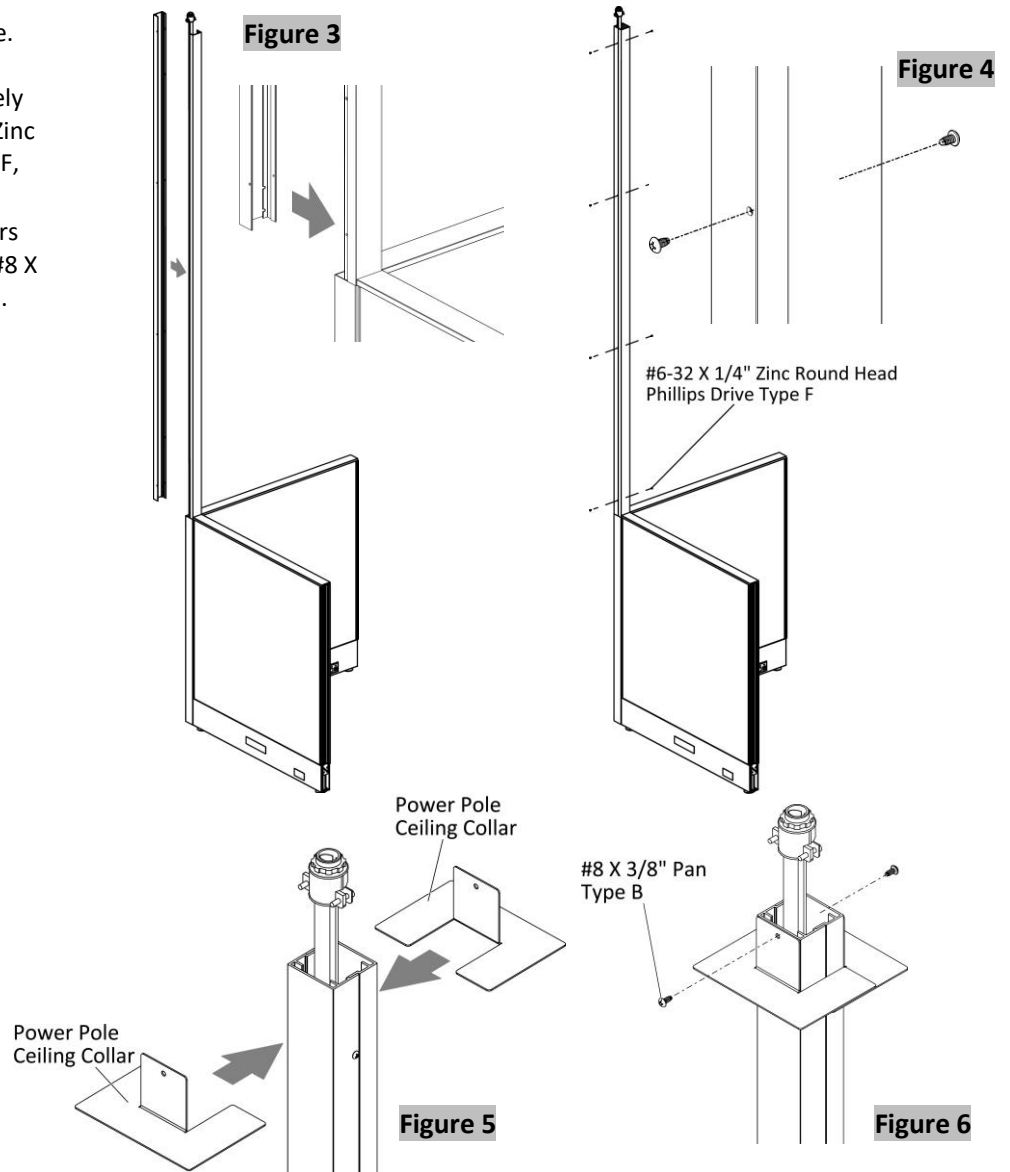
Figure 2

### Tools & Hardware Needed

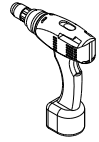
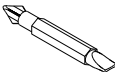

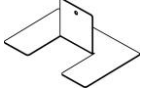

		8393-0201 	8540-1008 
Drill	Phillips #2 Bit	2- Way Power Pole Bracket	#8 X 1-1/4", Flat Head Screw (4X)
8540-0611 			
#8-32 X 1/4" Screw (4X)			

## 2- Way Power Pole Installation

6. Lay the cables in the power pole. Engage the two halves of the power pole together and securely fasten them with #6-32 X 1/4" Zinc Round Head Phillips Drive Type F, (Figures 3 & 4).
7. Slip the power pole ceiling collars and securely fasten them with #8 X 3/8" Pan Type B, (Figures 5 & 6).



### Tools & Hardware Needed

		8540-1211 	8393-0055 
Drill	Phillips #2 Bit	#6-32 X 1/4" RH Phillips Drive Type F	Power Pole Ceiling Collar (2X)
8540-1167 			
#8-3/8" Pan Type B (2X)			

# 3- Way Power Pole Installation

1. Inspect ceiling condition before beginning installation. If the ceiling material is acoustical tile, remove the tile above the power pole before attaching it to the panel.
2. Position the 3-way power pole bracket on top of the panels at the intersection, (Figure 1).
3. Drive six #8 X 1-1/4" Flat Head Screws through the holes in the 3-way power pole bracket into the panels.
4. Disengage the power pole and position half of the power pole by inserting the power pole holder bracket into the power pole.
5. Securely fasten the power pole into the power pole bracket with four #8-32 X 1/4" Screws, (Figure 2).

Continued on the next page >>

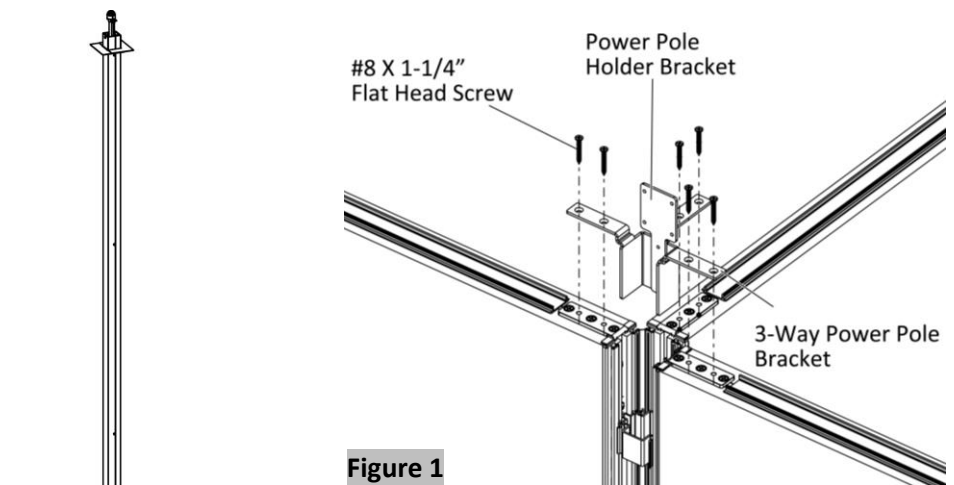


Figure 1

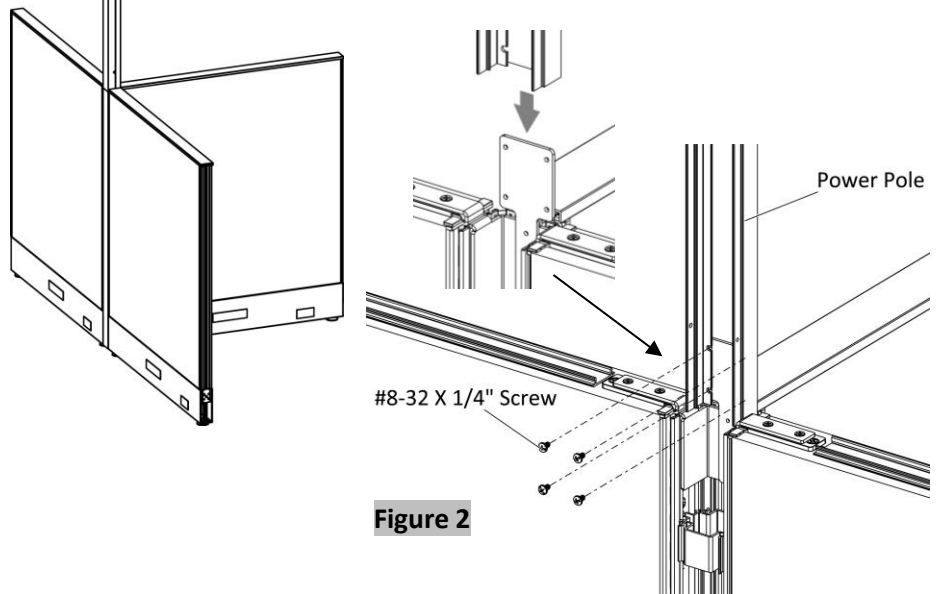
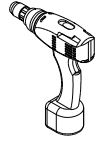
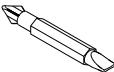
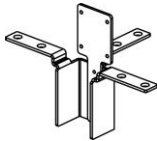




Figure 2

## Tools & Hardware Needed

		8393-0196 	8540-1008 
Drill	Phillips #2 Bit	3- Way Power Pole Bracket	#8 X 1-1/4", Flat Head Screw (6X)
8540-0611 			
#8-32 X 1/4" Screws (4X)			

# 3- Way Power Pole Installation

- 6. Lay the cables in the power pole. Engage the two halves of the power pole together and securely fasten them with #6-32 X 1/4" Zinc Round Head Phillips Drive Type F, (Figures 3 & 4).
- 7. Slip the power pole ceiling collars and securely fasten them with #8 X 3/8" Pan Type B, (Figures 5 & 6).

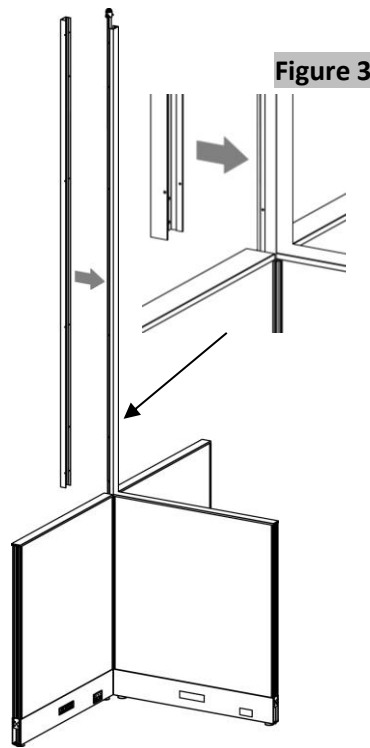


Figure 3

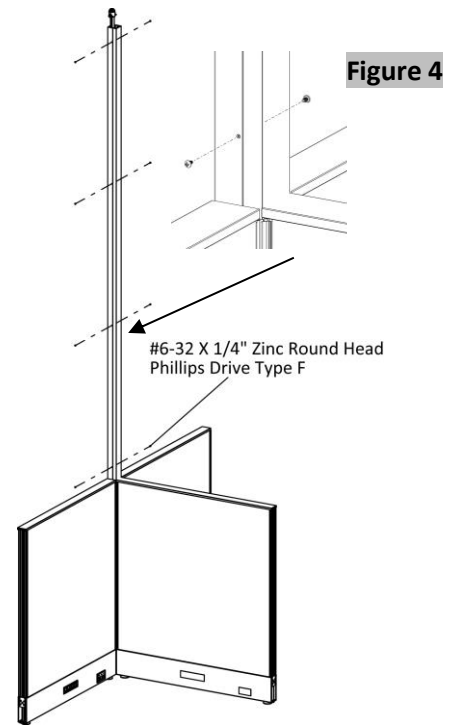


Figure 4

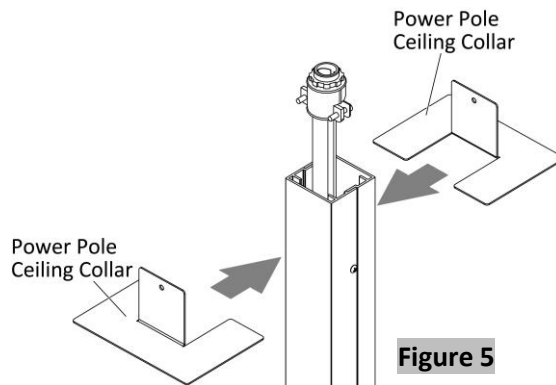


Figure 5

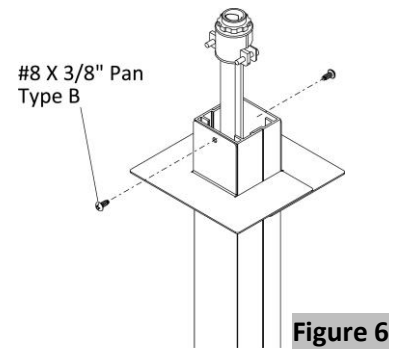
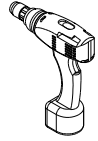
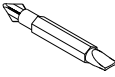

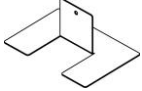



Figure 6

## Tools & Hardware Needed

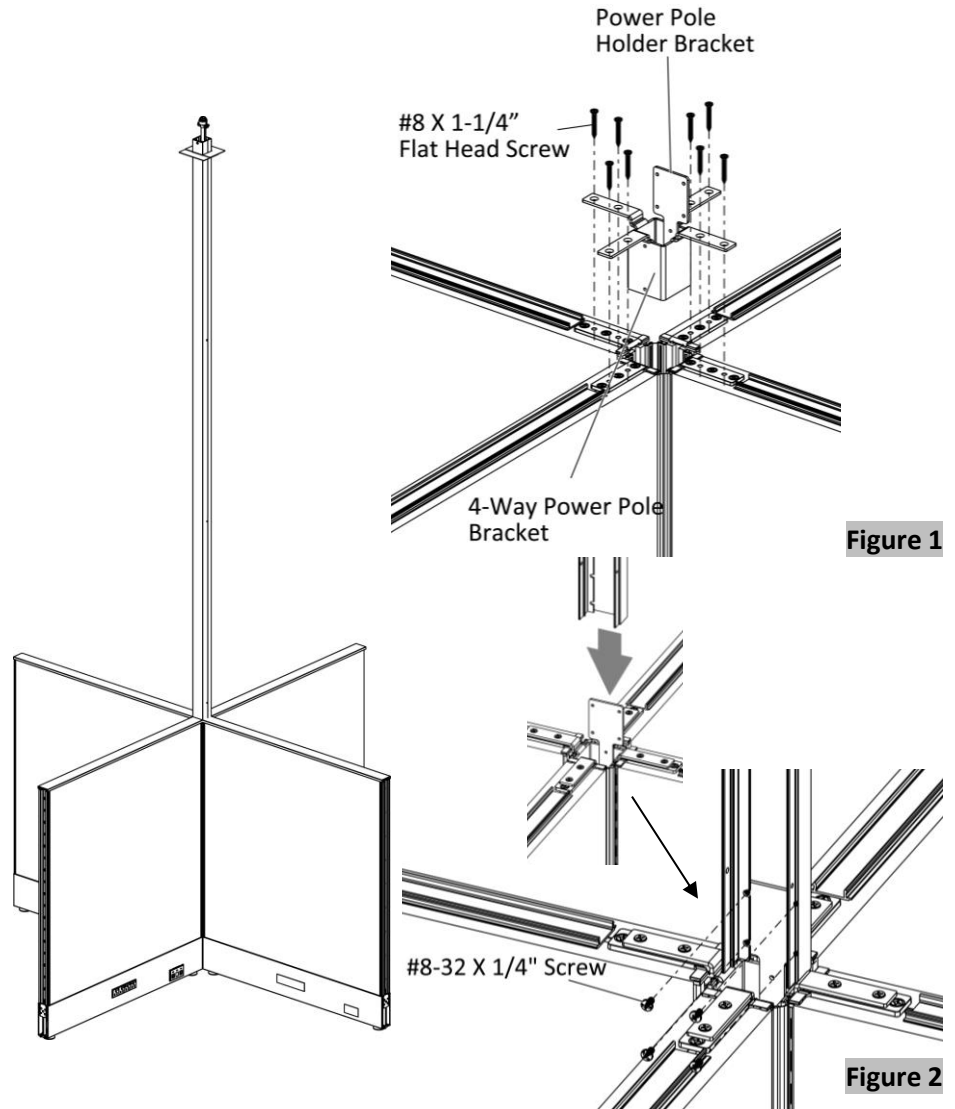
		8540-1211 	8393-0055 
Drill	Phillips #2 Bit	#6-32 X 1/4" RH Phillips Drive Type F	Power Pole Ceiling Collar (2X)
8540-1167 			
#8-3/8" Pan Type B (2X)			



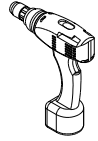
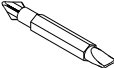
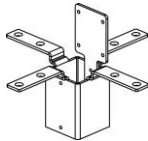


# 4- Way Power Pole Installation

1. Inspect ceiling condition before beginning installation. If the ceiling material is acoustical tile, remove the tile above the power pole before attaching it to the panel.
2. Position the 4-way, power pole bracket on top of the panels at the intersection, (Figure 1).
3. Drive eight #8 X 1-1/4", Flat Head Screws through the holes in the 4-way power pole bracket into the panels.
4. Disengage the power pole and position half of the power pole by inserting the power pole holder bracket into the power pole.
5. Securely fasten the power pole into the power pole bracket with four #8-32 X 1/4" Screws, (Figure 2).

Continued on the next page >>

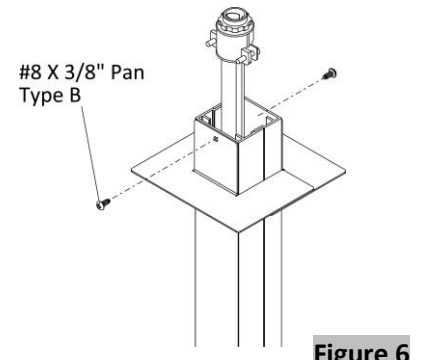
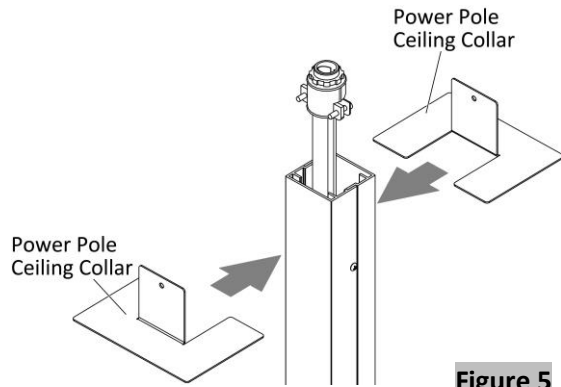
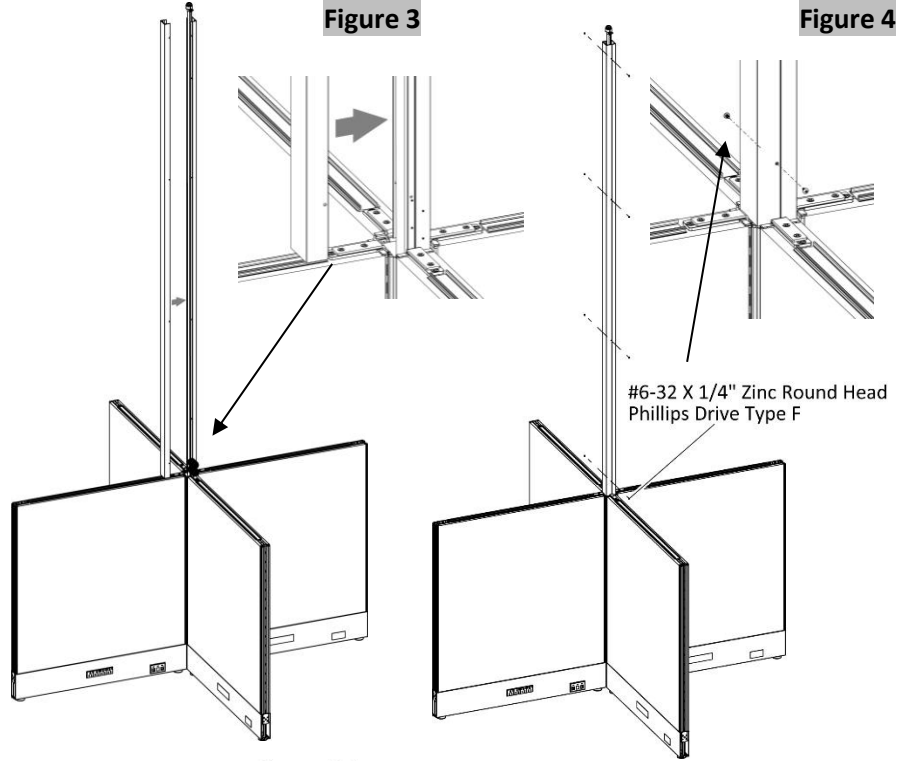


## Tools & Hardware Needed

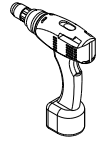
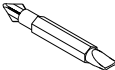

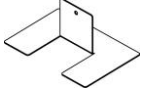

		8393-0198 	8540-1008 
Drill	Phillips #2 Bit	4- Way Power Pole Bracket	#8 X 1-1/4", Flat Head Screw (8X)
8540-0611 			
#8-32 X 1/4" Screw (4X)			

# 4- Way Power Pole Installation

- 6. Lay the cables in the power pole. Engage the two halves of the power pole together and securely fasten them with #6-32 X 1/4" Zinc Round Head Phillips Drive Type F, (Figures 3 & 4).
- 7. Slip the power pole ceiling collars and securely fasten them with #8 X 3/8" Pan Type B, (Figures 5 & 6).



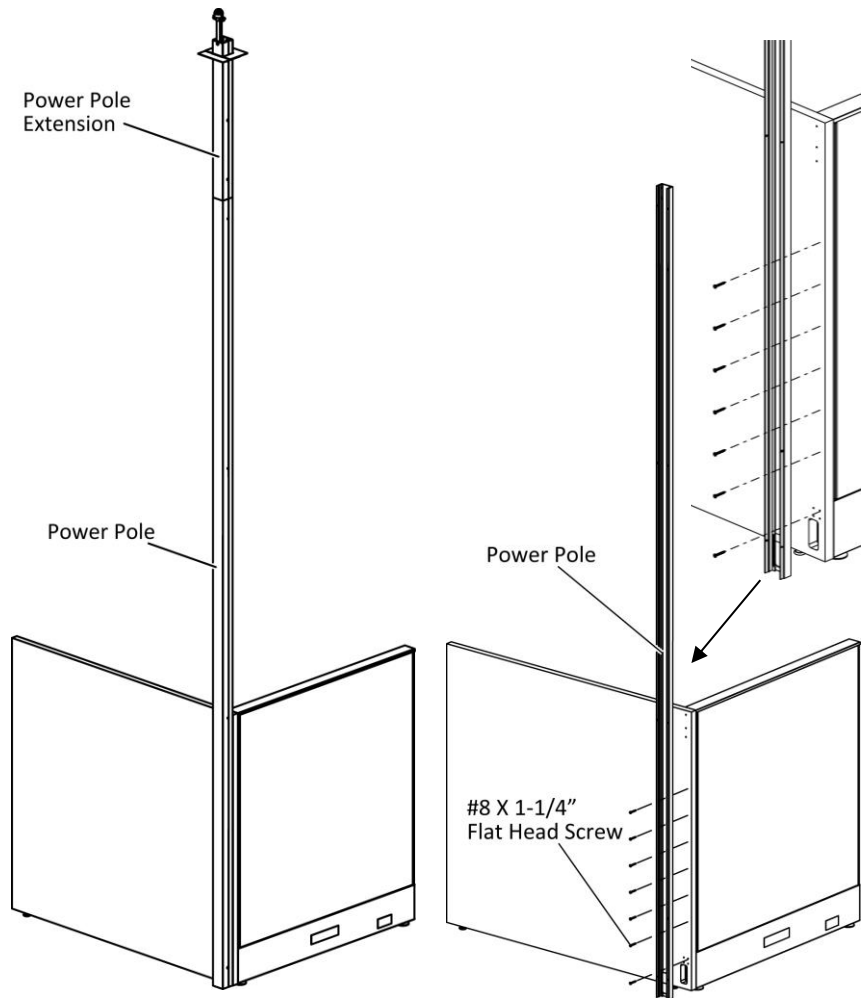
## Tools & Hardware Needed

		8540-1211	8393-0055
Drill	Phillips #2 Bit		
8540-0611			
			
#8-32 X 1/4" Screw Pan Type B (4X)			

# Gallery Panel, Power Pole Installation


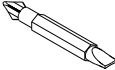
1. Inspect ceiling condition before beginning installation. If the ceiling material is acoustical tile, remove the tile above the power pole before attaching it to the panel.
2. Disengage the power pole and position half of the power with holes at the edge of the gallery panel.
3. Align the holes of the power pole into the pre-drilled holes of the gallery panel, (Figure 1).
4. Drive seven #8 X 1-1/4" Flat Head Screws through the holes in the power pole into the pre-drilled holes of the gallery panel.

Continued on the next page >>



**Figure 1**

## Tools & Hardware Needed

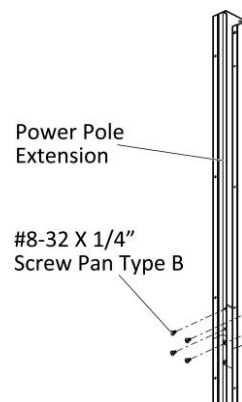
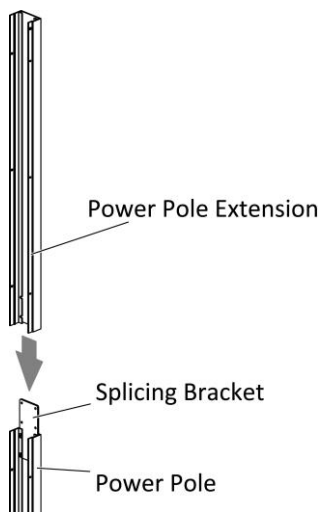
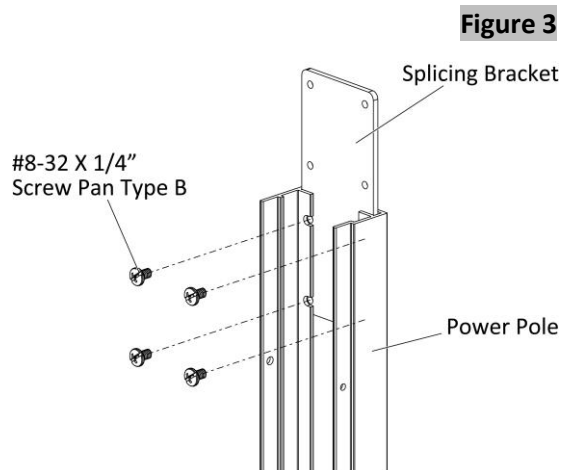
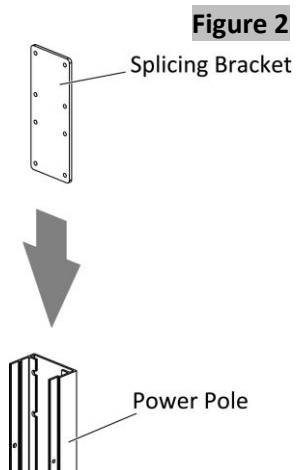
		8540-1008 #8 X 1-1/4", Flat Head Screw (7X)	
Drill	Phillips #2 Bit		

# Gallery Panel, Power Pole Installation

Follow **Steps 5,6,7 & 8** for ceiling heights above 9'-6" or otherwise proceed to **Step 9**.

- 5.** Insert the splicing bracket into the power pole, (Figure 2).
- 6.** Securely fasten the splicing bracket to the power pole with four #8-32 X 1/4" Screw Pan Type B, (Figure 3).
- 7.** Insert the splicing bracket with the power pole into the power pole extension, (Figure 4).
- 8.** Securely fasten the power pole extension into the splicing bracket with four #8-32 X 1/4" Screw Pan Type B, (Figure 5).


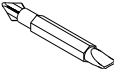


Continued on the next page >>



**Figure 4**

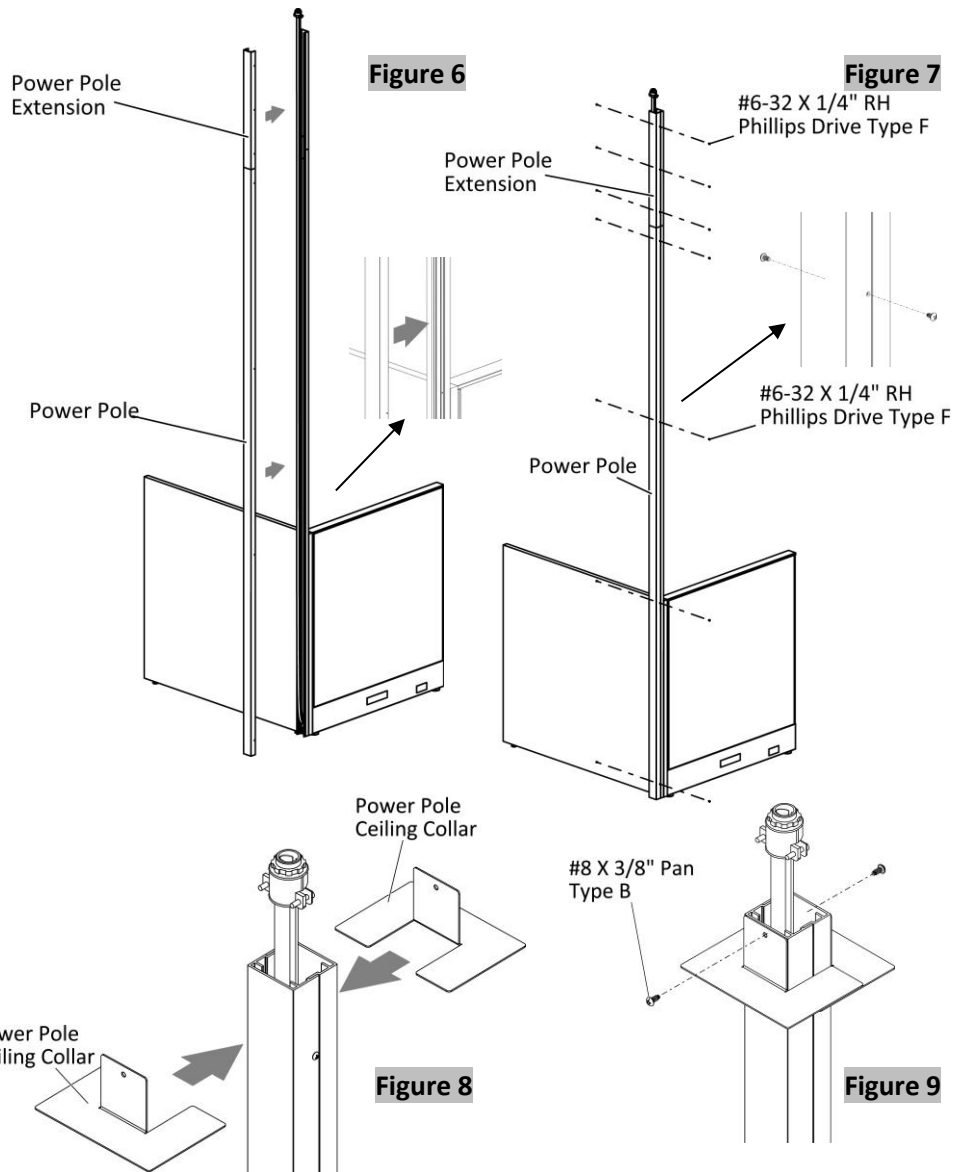
**Figure 5**

## Tools & Hardware Needed

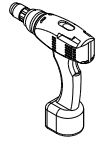
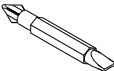

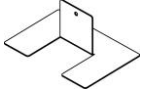

		8393-0185 	8540-0611 
Drill	Phillips #2 Bit	Splicing Bracket	#8-32 X 1/4" Screw Pan Type B (8X)

# Gallery Panel, Power Pole Installation

9. Lay the cables in the power pole. Engage the two halves of the power pole together and securely fasten them with #6-32 X 1/4" Zinc Round Head Phillips Drive Type F, (Figures 6 & 7).
10. Slip the power pole ceiling collars and securely fasten them with #8 X 3/8" Pan Type B, (Figures 8 & 9).



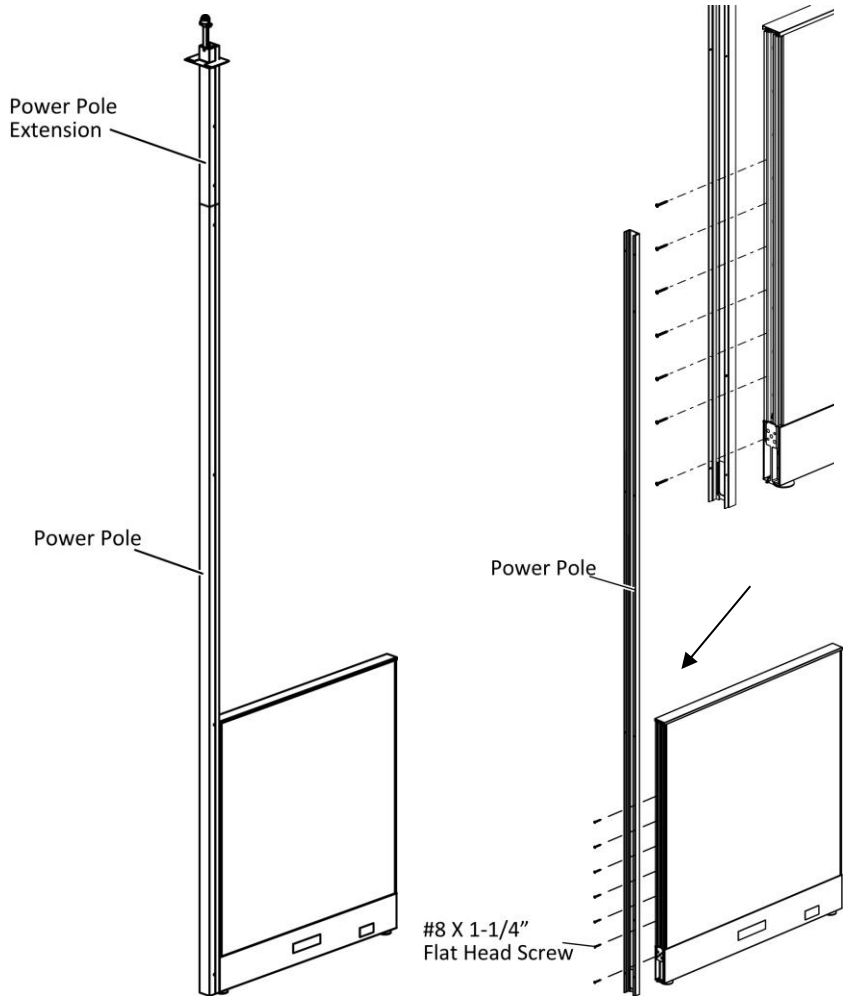
## Tools & Hardware Needed

		8540-1211 	8393-0055 
Drill	Phillips #2 Bit	#6-32 X 1/4" RH Phillips Drive Type F	Power Pole Ceiling Collar (2X)
8540-1167 			
#8-3/8" Pan Type B (2X)			

# Standard Panel, End Run Power Pole Installation


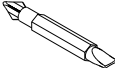

1. Inspect ceiling condition before beginning installation. If the ceiling material is acoustical tile, remove the tile above the power pole before attaching it to the panel.
2. Disengage the power pole and position half of the power pole with holes at the end of the panel.
3. Align the holes of the power pole to the holes at the side of the panel, (Figure 1).
4. Drive seven #8 X 1-1/4", Flat Head Screws through the holes in the power pole into the panel.

Continued on the next page >>



**Figure 1**

## Tools & Hardware Needed

		8540-1008 	
Drill	Phillips #2 Bit	#8 X 1-1/4", Flat Head Screw (7X)	

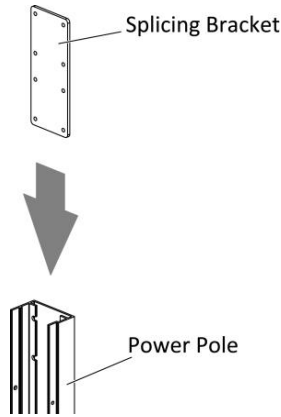
# Standard Panel, End Run Power Pole Installation

Follow **Steps 5,6,7 & 8** for ceiling heights above 9'-6" or otherwise proceed to **Step 9**.

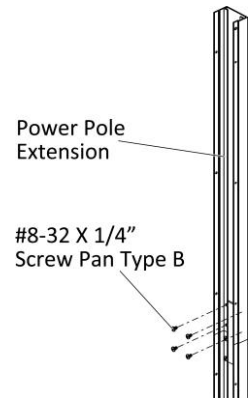
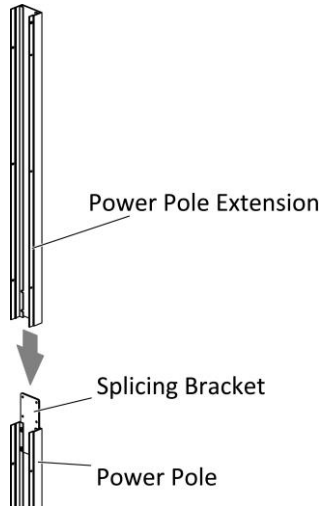
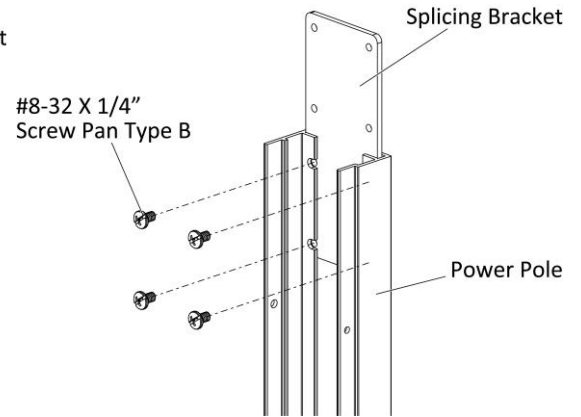
- 5.** Insert the splicing bracket into the power pole, (Figure 2).
- 6.** Securely fasten the splicing bracket to the power pole with four #8-32 X 1/4" Screw Pan Type B, (Figure 3).
- 7.** Insert the splicing bracket with the power pole into the power pole extension, (Figure 4).
- 8.** Securely fasten the power pole extension into the splicing bracket with four #8-32 X 1/4" Screw Pan Type B, (Figure 5).

Continued on the next page >>

**Figure 2**



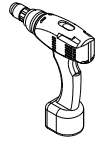
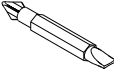
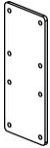

**Figure 3**



**Figure 4**

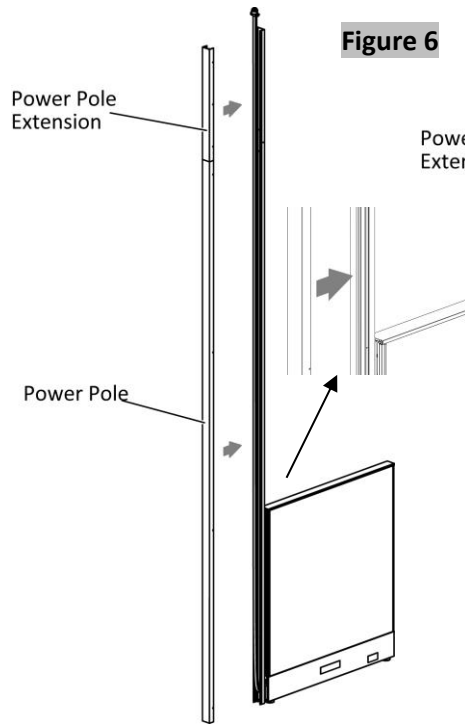
**Figure 5**

## Tools & Hardware Needed

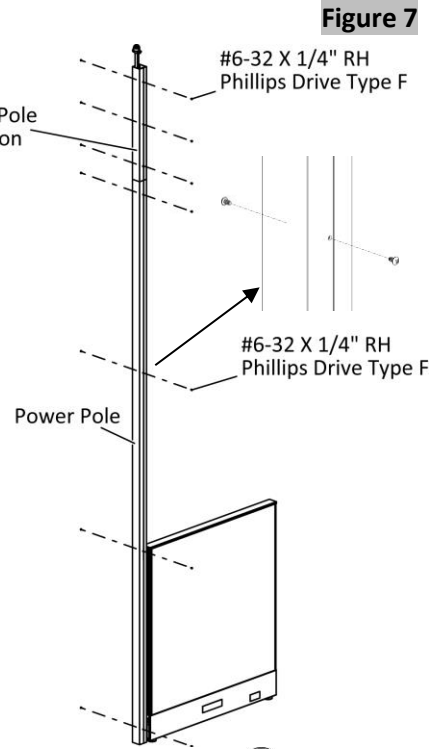
		8393-0185 	8540-0611 
Drill	Phillips #2 Bit	Splicing Bracket	#8-32 X 1/4" Screw Pan Type B (8X)

# Standard Panel, End Run Power Pole Installation

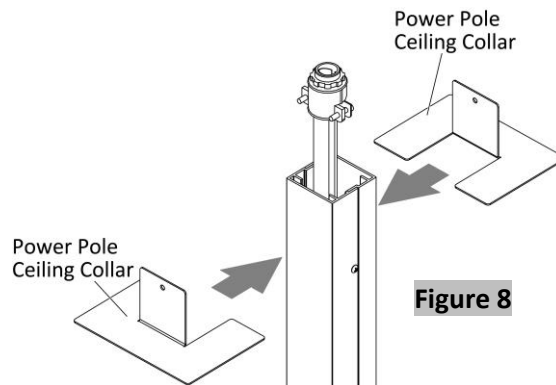
9. Lay the cables in the power pole. Engage the two halves of the power pole together and securely fasten them with #6-32 X 1/4" Zinc Round Head Phillips Drive Type F, (Figures 6 & 7).
10. Slip the power pole ceiling collars and securely fasten them with #8 X 3/8" Pan Type B, (Figures 8 & 9).



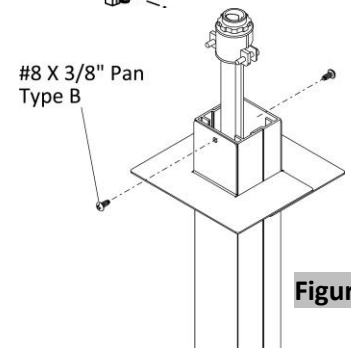
**Figure 6**



**Figure 7**

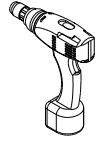
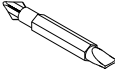

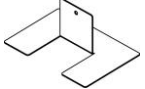



**Figure 8**



**Figure 9**

## Tools & Hardware Needed

		8540-1211 	8393-0055 
Drill	Phillips #2 Bit	#6-32 X 1/4" RH Phillips Drive Type F	Power Pole Ceiling Collar (2X)
8540-1167 			
#8-3/8" Pan Type B (2X)			



**tayco**<sup>®</sup>

**Switch**  
installation guide

February 2025